



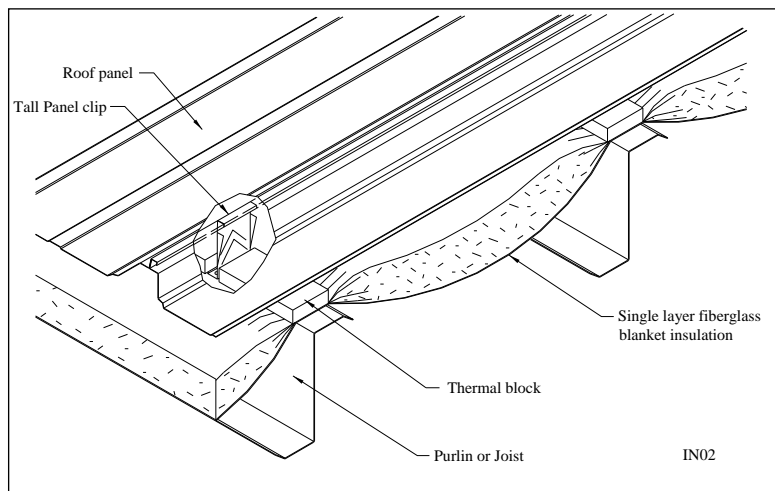
PRODUCT BULLETIN

April 25, 2016

Nucor Building Systems is constantly seeking ways to improve our product offering and remain the low cost supplier for our Builders. We are pleased to announce that we now offer guidance for installing R-25 (nominal 8 inches) single layer insulation with CFR Roof Panel.

The installation of the system requires special attention to maintain proper panel modularity and thermal performance as noted below:

1. Use clamps as shown in Figure 1.
2. Pre-drill one pilot hole for the roof panel clips at the eaves, high side or ridge and panel end laps, if any.
3. Use the panel modularity tool as shown in Figure 2.
4. Ensure the insulation is permitted to sag at mid-span between purlins and expand to the full thickness of the insulation as shown in Figure 3.
5. Do not pull the insulation taut as this will significantly reduce the thermal performance of the roof system as shown in Figure 4.



Critical Dates: The new product offering is available immediately in eQuote. Contact your local Sales Representative for more information.

INDIANA
305 Industrial Parkway
Waterloo, IN 46793
(260) 837-7891
fax (260) 837-7384

SOUTH CAROLINA
200 Whetstone Road
Swansea, SC 29160
(803) 568-2100
fax (803) 568-2121

TEXAS
600 Apache Trail
Terrell, TX 75160
(972) 524-5407
fax (972) 524-5417

UTAH
1050 N. Watery Lane
Brigham City, UT 84302
(435) 919-3100
fax (435) 919-3101

NE SALES OFFICE
201 Granite Run Dr., Suite 280
Lancaster, PA 17601
(717) 735-7766
fax (717) 735-7769



PRODUCT BULLETIN

Our Commitment

Nucor Building Systems is committed to ongoing improvements in all aspects of our business. This change is intended to enhance our product offerings and improve our costs and competitiveness in the market place. Your input and comments are always appreciated. If you have specific questions regarding this bulletin or any other area of our business, please contact your District Sales Manager or Project Coordinator.

INDIANA
305 Industrial Parkway
Waterloo, IN 46793
(260) 837-7891
fax (260) 837-7384

SOUTH CAROLINA
200 Whetstone Road
Swansea, SC 29160
(803) 568-2100
fax (803) 568-2121

TEXAS
600 Apache Trail
Terrell, TX 75160
(972) 524-5407
fax (972) 524-5417

UTAH
1050 N. Watery Lane
Brigham City, UT 84302
(435) 919-3100
fax (435) 919-3101

NE SALES OFFICE
201 Granite Run Dr., Suite 280
Lancaster, PA 17601
(717) 735-7766
fax (717) 735-7769



PRODUCT BULLETIN

Mock Up Photos



Installation with Clamp (Fig.1)



Installation with Modularity Tool (Fig.2)



Proper Insulation at Mid Span (Fig.3)



Improper Insulation at Mid Span (Fig.4)



Installed Panel (Fig.5)



Installed Panel (Fig.6)

INDIANA
305 Industrial Parkway
Waterloo, IN 46793
(260) 837-7891
fax (260) 837-7384

SOUTH CAROLINA
200 Whetstone Road
Swansea, SC 29160
(803) 568-2100
fax (803) 568-2121

TEXAS
600 Apache Trail
Terrell, TX 75160
(972) 524-5407
fax (972) 524-5417

UTAH
1050 N. Watery Lane
Brigham City, UT 84302
(435) 919-3100
fax (435) 919-3101

NE SALES OFFICE
201 Granite Run Dr., Suite 280
Lancaster, PA 17601
(717) 735-7766
fax (717) 735-7769