



PRODUCT BULLETIN

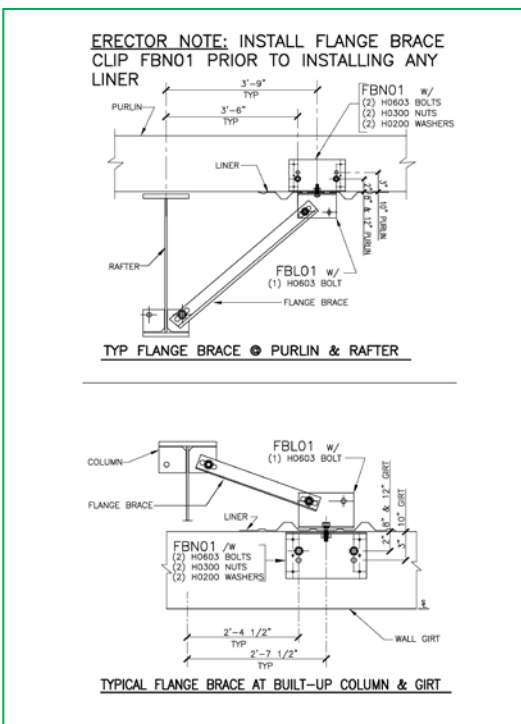
December 5, 2016

Nucor Building Systems is constantly seeking ways to improve our product offering and remain the low cost supplier for our Builders. We are pleased to announce that the **Liner Flange Brace** attachment is changing to a new detail that is comprised of a two clip system.

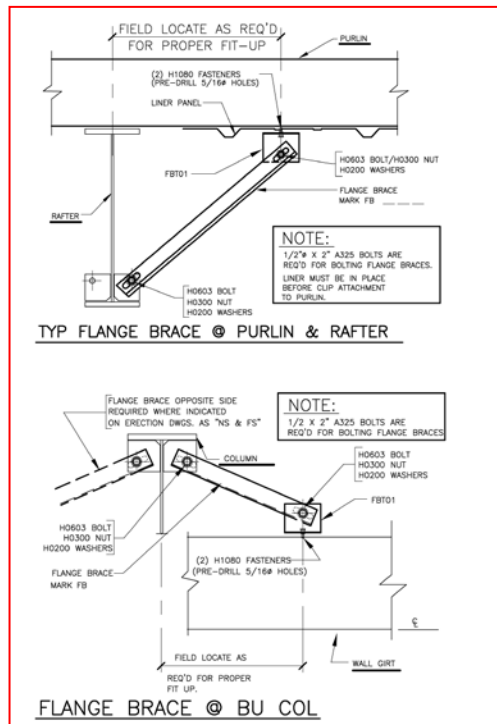
Benefits of the new system:

- Has a wider range of load capacity allowing for the same clip to be used in more applications.
- Has minimal disruption/ penetration into a metal or fabric liner system.
- With the New *All-bolted* system, the secondary members will be factory prepped and the flange brace will be located in a consistent location for ease of locating the common bolt hole in the field. The FBNO1 clip can be bolted on without having to attach the flange brace first.
- No field work or pre-drilling of the secondary members is required.
- Parts can be produced more economically and efficiently allowing us to continue to provide a low cost building package.

NEW STANDARD:



OLD STANDARD:



Critical Dates: This new detail will be on jobs fabricating early first quarter 2017. For more information contact your local Sales Representative or visit www.nucorbuildingsystems.com/.

Our Commitment

Nucor Building Systems is committed to ongoing improvements in all aspects of our business. This change is intended to enhance our product offerings and improve our costs and competitiveness in the market place. Your input and comments are always appreciated. If you have specific questions regarding this bulletin or any other area of our business, please contact your District Sales Manager or Project Coordinator.

INDIANA
305 Industrial Parkway
Waterloo, IN 46793
(260) 837-7891
fax (260) 837-7384

SOUTH CAROLINA
200 Whetstone Road
Swansea, SC 29160
(803) 568-2100
fax (803) 568-2121

TEXAS
600 Apache Trail
Terrell, TX 75160
(972) 524-5407
fax (972) 524-5417

UTAH
1050 N. Watery Lane
Brigham City, UT 84302
(435) 919-3100
fax (435) 919-3101