



# PRODUCT BULLETIN

July 20, 2015

Nucor Building Systems is constantly seeking ways to improve our product offering and remain the low cost supplier for our Builders. We are pleased to announce that we have updated our **Roof Fastener** head style to have a flat top. It is still the Ultimate Long Life Head, but now has a flat top. This flat top allows for significantly improved magnetism to the nut-setter bit.

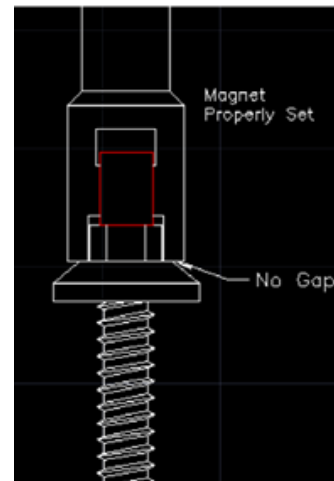
**Important item to note:** This new flat top style head requires the magnet in the nut-setter to be “set” properly. Instruction on how to “set the magnet” will be included in each bag of fasteners. It is *critical* that this be done to help reduce fastener wobble and scaring/paint removal on the head.



Old Style



New Style



Properly Set Magnet

**Critical Dates:** You will start seeing these new style heads very soon. There may be a mix of head styles during a transition period while inventories of the old style head are being depleted.

### Our Commitment

Nucor Building Systems is committed to ongoing improvements in all aspects of our business. This change is intended to enhance our product offerings and improve our costs and competitiveness in the market place. Your input and comments are always appreciated. If you have specific questions regarding this bulletin or any other area of our business, please contact your District Sales Manager or Project Coordinator.

**INDIANA**  
305 Industrial Parkway  
Waterloo, IN 46793  
(260) 837-7891  
fax (260) 837-7384

**SOUTH CAROLINA**  
200 Whetstone Road  
Swansea, SC 29160  
(803) 568-2100  
fax (803) 568-2121

**TEXAS**  
600 Apache Trail  
Terrell, TX 75160  
(972) 524-5407  
fax (972) 524-5417

**UTAH**  
1050 N. Watery Lane  
Brigham City, UT 84302  
(435) 919-3100  
fax (435) 919-3101

**NE SALES OFFICE**  
201 Granite Run Dr., Suite 280  
Lancaster, PA 17601  
(717) 735-7766  
fax (717) 735-7769