



PRODUCT & ENGINEERING MANUAL

TABLE OF CONTENTS

Rigid Frame.....	3
FD0010PE – Rigid Frame Knee W/Purlins Low Eave – Inset	3
FD0020PE – Rigid Frame Knee W/Purlins Low Eave - Bypass	4
FD0030PE – Rigid Frame Knee W/Joists Low Eave - Bypass.....	5
FD0040PE – Rigid Frame Knee W/Joists Low Eave – Inset	6
FD0050PE – Rigid Frame Rafter Splice	7
FD0060PE – Rigid Frame Rafter To Interior Column	8
FD0070PE – Rigid Frame Ridge Condition	9
FD0080PE – Rigid Frame Knee W/Purlins High Eave – Inset.....	10
FD0090PE – Rigid Frame Knee W/Purlins High Eave - Bypass	11
FD0100PE – Rigid Frame Knee W/Joists High Eave – Inset	12
FD0110PE – Rigid Frame Knee W/Joists High Eave - Bypass	13
Sidewall Wind Column	14
FD0120PE – Sidewall Wind Column W/Joists Low Eave – Inset	14
FD0130PE – Sidewall Wind Column W/Joists Low Eave - Bypass	15
FD0140PE – Sidewall Wind Column W/Joists High Eave – Inset	16
FD0150PE – Sidewall Wind Column W/Joists High Eave - Bypass	17
Post & Beam	18
FD0160PE – Endwall Corner Column W/Purlins Low Eave-(C.F. Col. & Rafter)	18
FD0170PE – Endwall Corner Column W/Purlins Low Eave-(H - Section).....	19
FD0180PE – Endwall Corner Column W/Joists Low Eave-(C.F.Column)	20
FD0190PE – Endwall Corner Column W/Joists Low Eave - (H - Section).....	21
FD0200PE – Top Of Endwall Column (C.F. Col. & Rafter).....	22
FD0210PE – Top Of Endwall Column (H - Section)	23
FD0220PE – Endwall Ridge W/Center Column (C.F. Rafter).....	24
FD0230PE – Endwall Ridge Condition W/Center Column (H - Section)	25
FD0240PE – Endwall Ridge Condition Without Center Column (H - Section).....	26
FD0245PE – Endwall Ridge Condition Without Center Column (C.F. Rafter).....	27
FD0250PE – Endwall Corner Column High Eave (C.F. Column)	28
FD0260PE – Endwall Corner Column High Eave (H - Section).....	29
FD0270PE – Endwall W/Purlins (C.F. Col. & Rafter) – Inset.....	30
FD0280PE – Endwall W/Purlins (H - Section) – Inset	31
FD0290PE – Endwall W/Purlins (C.F. Col. & Rafter) - Bypass.....	32
FD0300PE – Endwall W/Purlins (H - Section) - Bypass	33



PRODUCT & ENGINEERING MANUAL

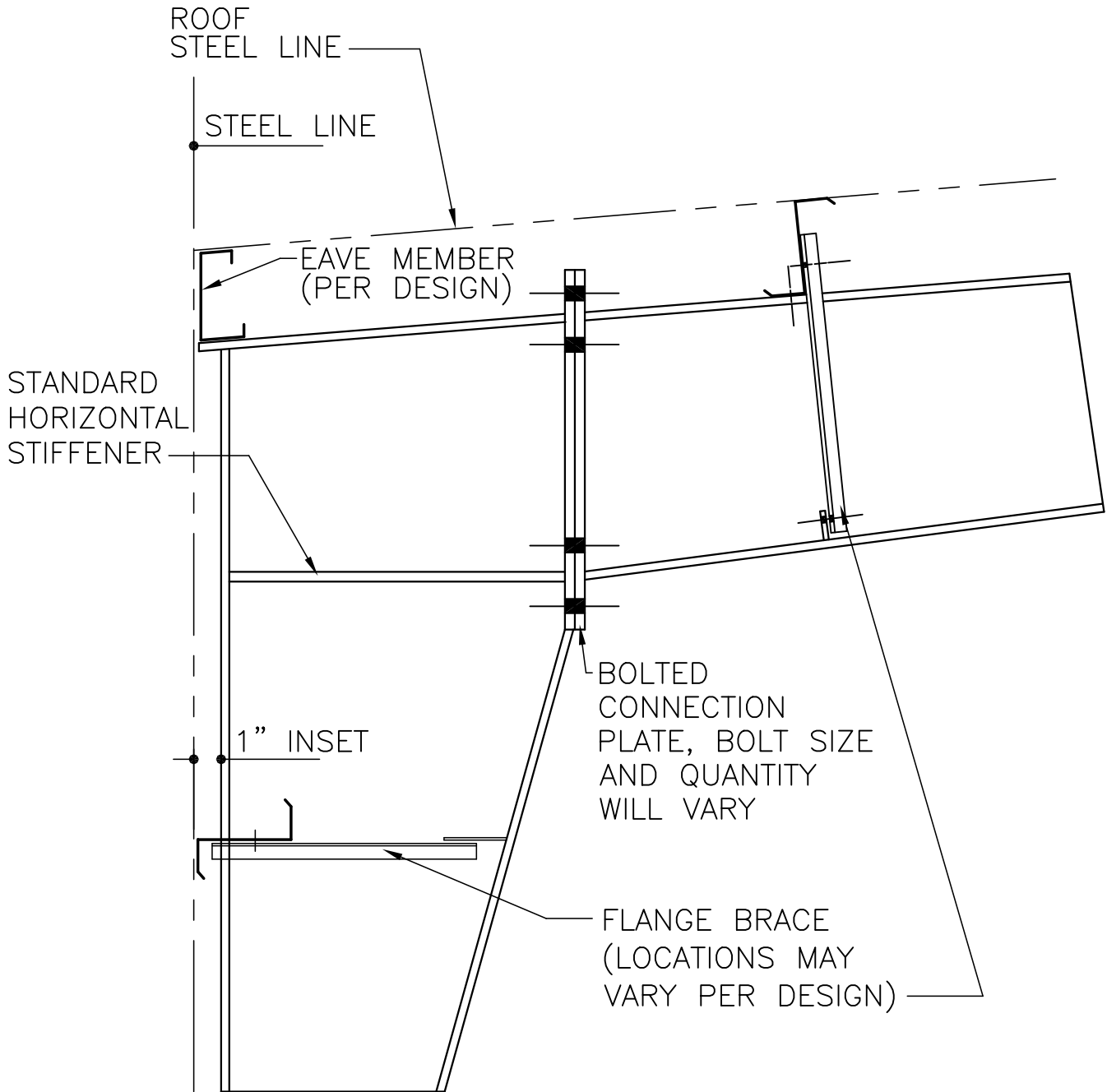
FD0310PE – Endwall W/Joists (C.F. Column) – Inset.....	34
FD0330PE – Endwall W/Joists (H - Section) – Inset	35
FD0340PE – Endwall W/Joists (C.F. Column) - Bypass.....	36
FD0350PE – Endwall W/Joists (H - Section) - Bypass	37
Rigid Frame Endwall	38
FD0360PE – Rigid Frame Endwall W/Purlins – Inset.....	38
FD0370PE – Rigid Frame Endwall W/Purlins - Bypass.....	39
FD0380PE – Rigid Frame Endwall W/Joists – Inset.....	40
FD0390PE – Rigid Frame Endwall W/Joists - Bypass.....	41



PRODUCT & ENGINEERING MANUAL

RIGID FRAME

FD0010PE – RIGID FRAME KNEE W/PURLINS LOW EAVE – INSET



LAST REVISION
DATE: 02/09/01
BY: CDM CHK: RJF

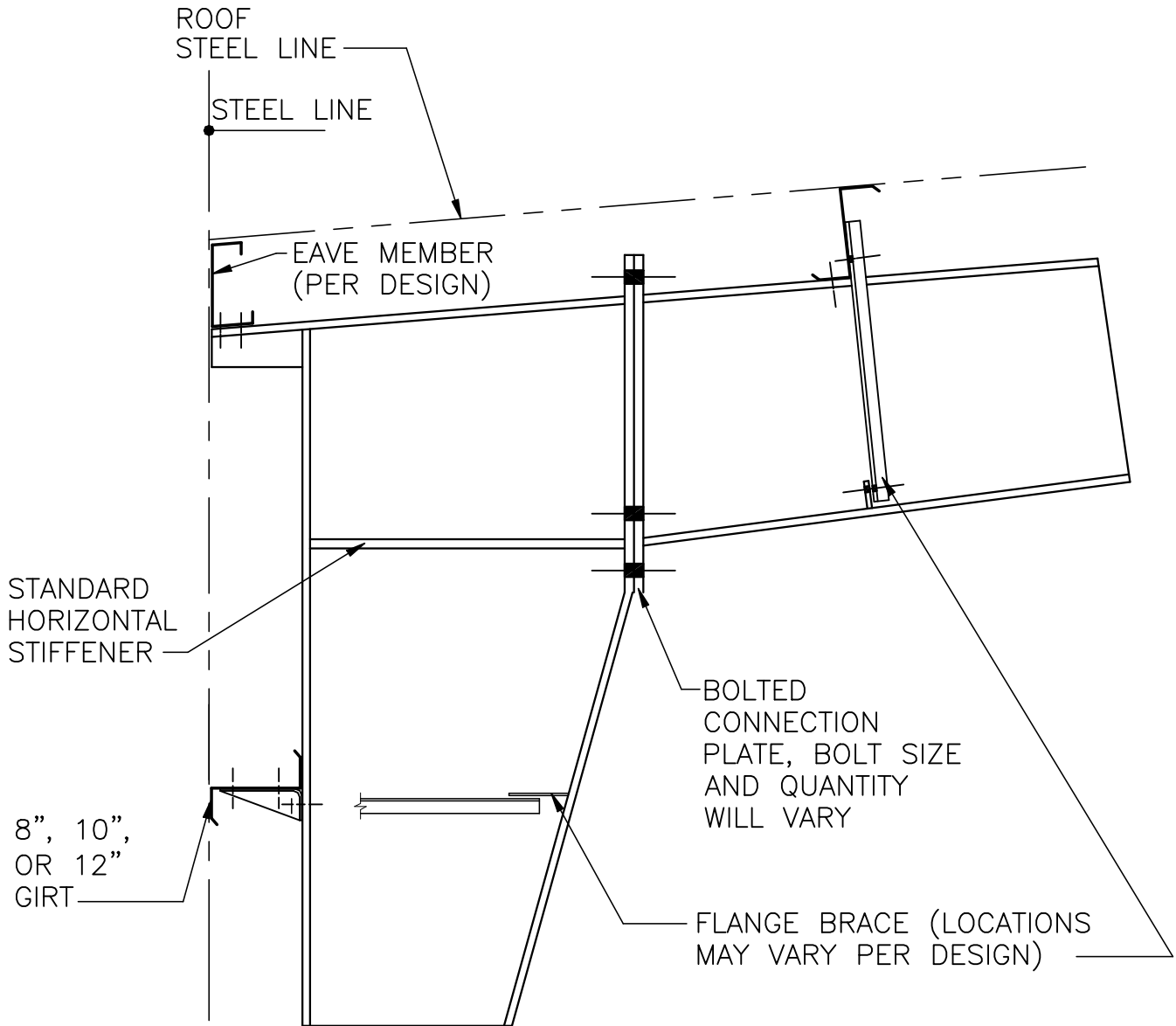
DETAIL NAME IF APPLICABLE
FD0010PE.DWG

11.1.3



PRODUCT & ENGINEERING MANUAL

FD0020PE – RIGID FRAME KNEE W/PURLINS LOW EAVE - BYPASS



LAST REVISION
DATE: 02/09/01
BY: CDM CHK: RJF

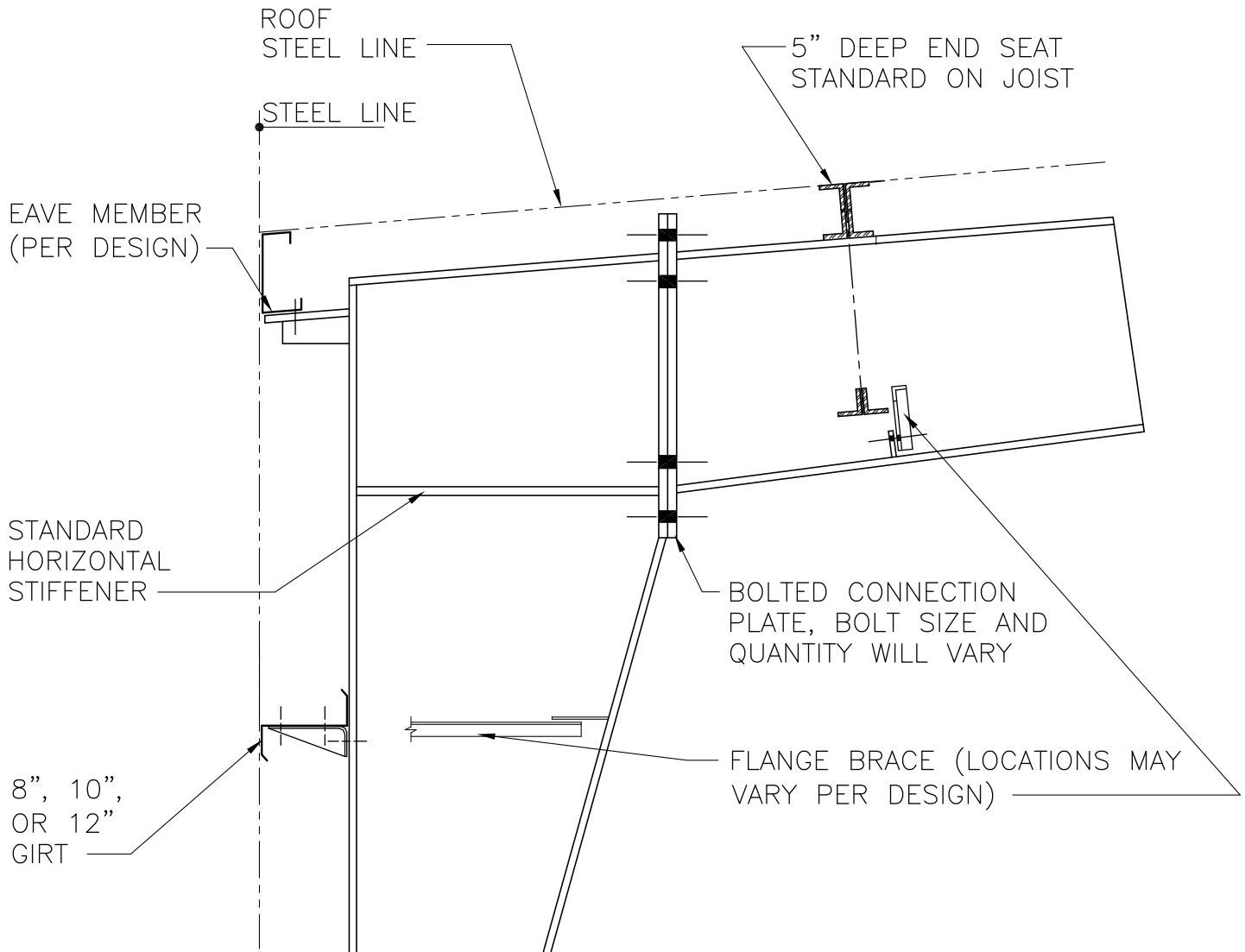
DETAIL NAME IF APPLICABLE
FD0020PE.DWG

11.1.4



PRODUCT & ENGINEERING MANUAL

FD0030PE – RIGID FRAME KNEE W/JOISTS LOW EAVE - BYPASS



LAST REVISION
DATE: 08/24/09
BY: DLC CHK: AES

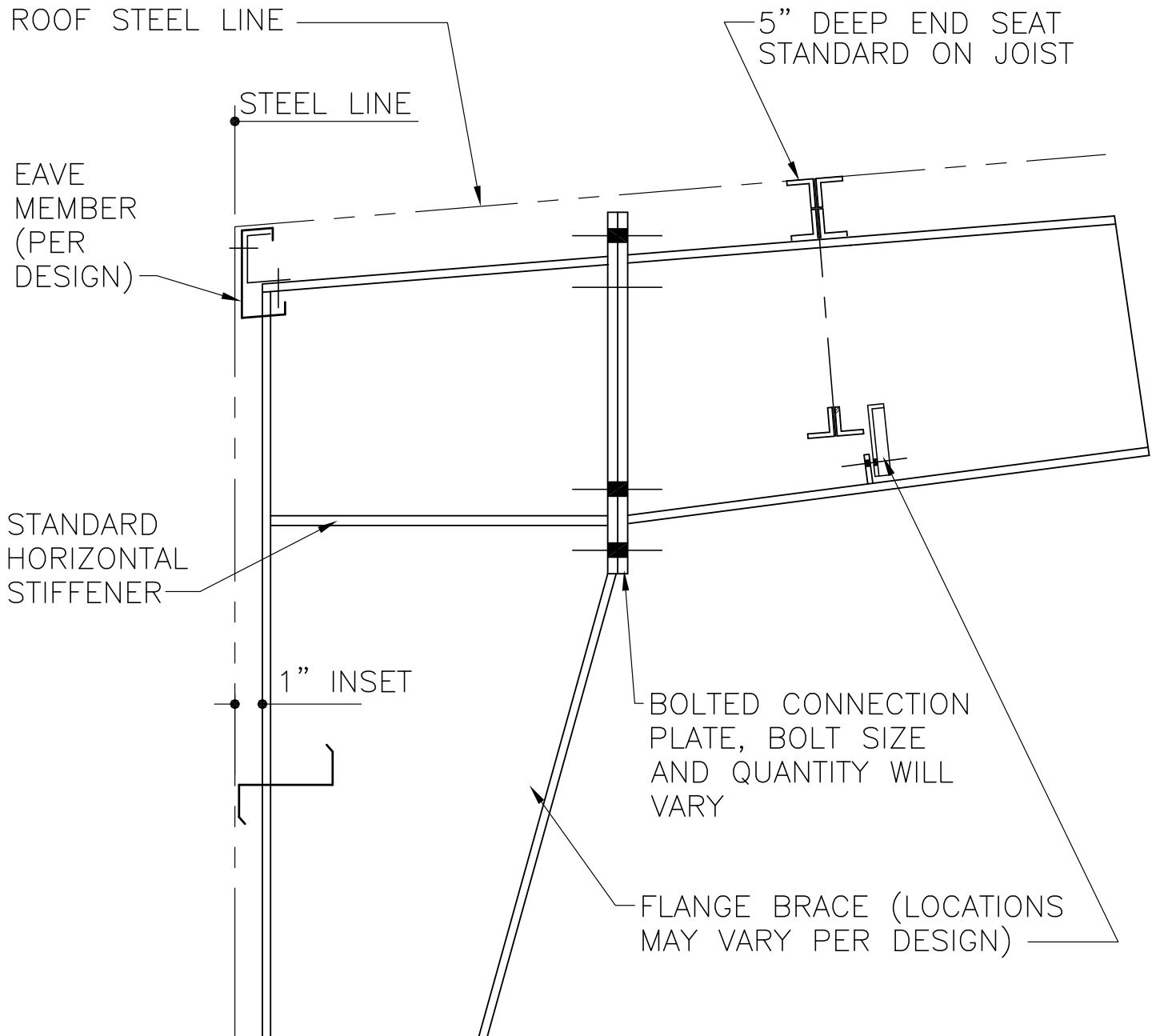
DETAIL NAME IF APPLICABLE
FD0030PE.DWG

11.1.5



PRODUCT & ENGINEERING MANUAL

FD0040PE – RIGID FRAME KNEE W/JOISTS LOW EAVE – INSET



LAST REVISION
DATE: 08/24/09
BY: DLC CHK: AES

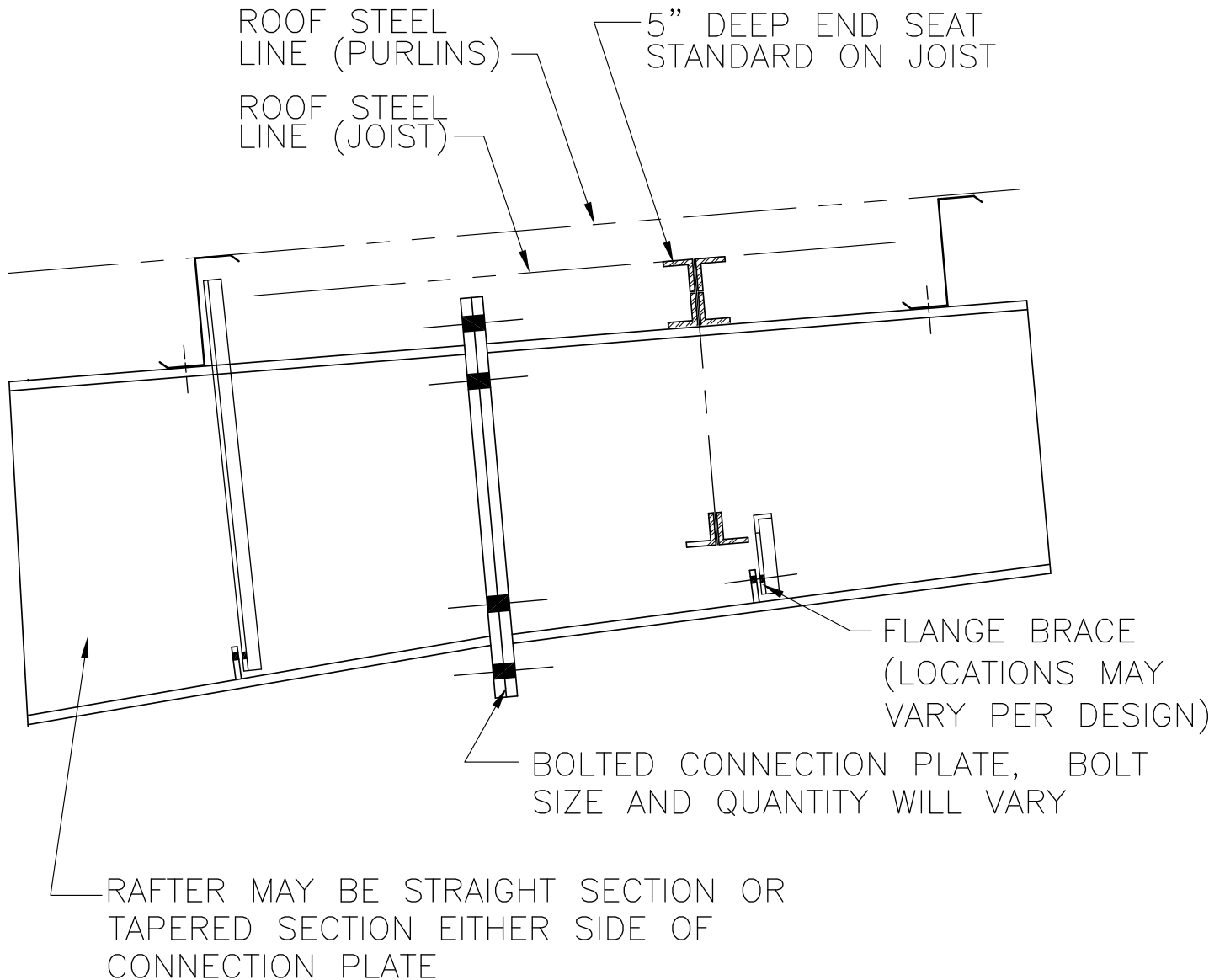
DETAIL NAME IF APPLICABLE
FD0040PE.DWG

11.1.6



PRODUCT & ENGINEERING MANUAL

FD0050PE – RIGID FRAME RAFTER SPLICE



LAST REVISION
DATE: 08/24/09
BY: DLC CHK: AES

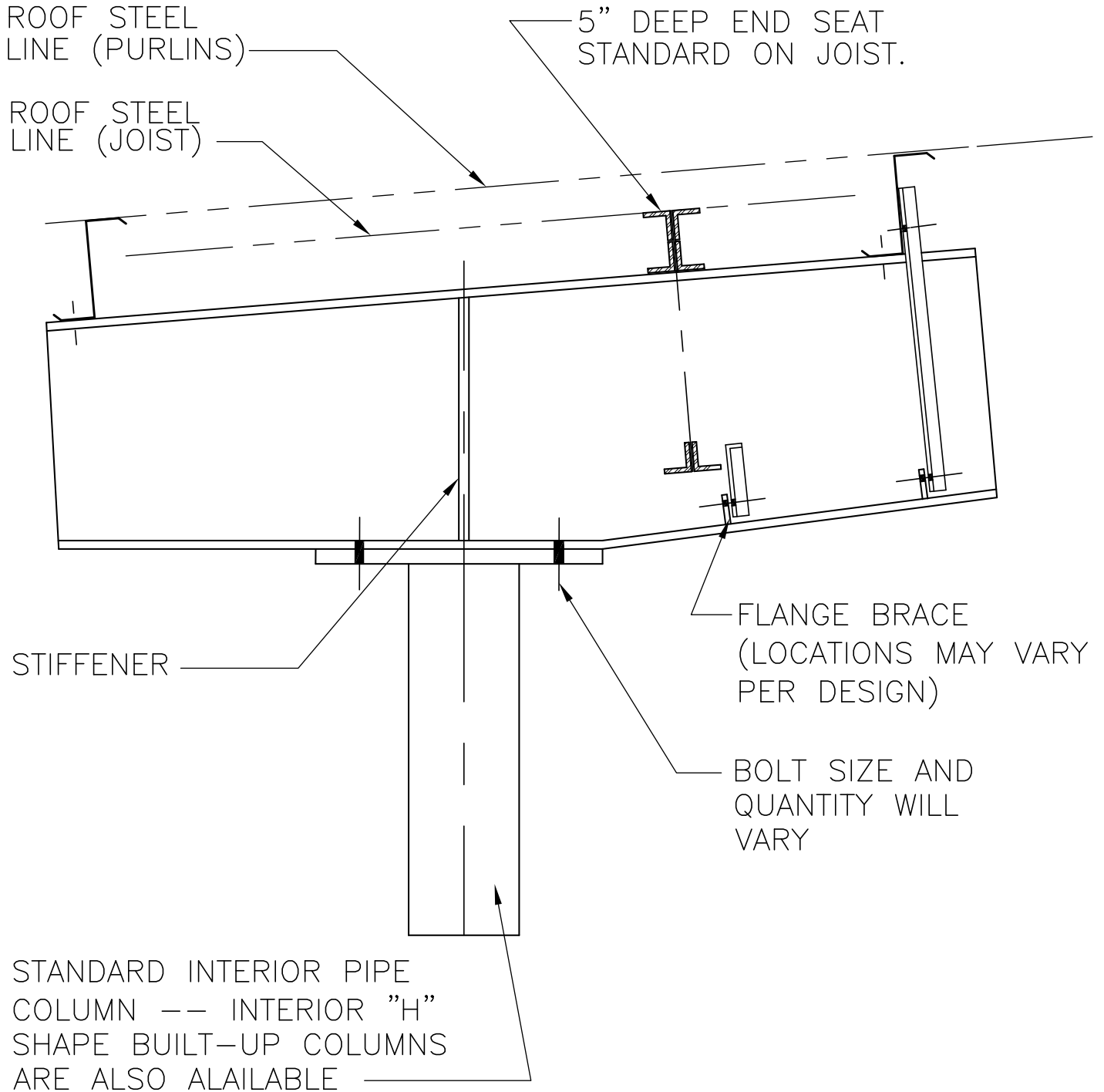
DETAIL NAME IF APPLICABLE
FD0050PE.DWG

11.1.7



PRODUCT & ENGINEERING MANUAL

FD0060PE – RIGID FRAME RAFTER TO INTERIOR COLUMN



LAST REVISION
DATE: 08/24/09
BY: DLC CHK: AES

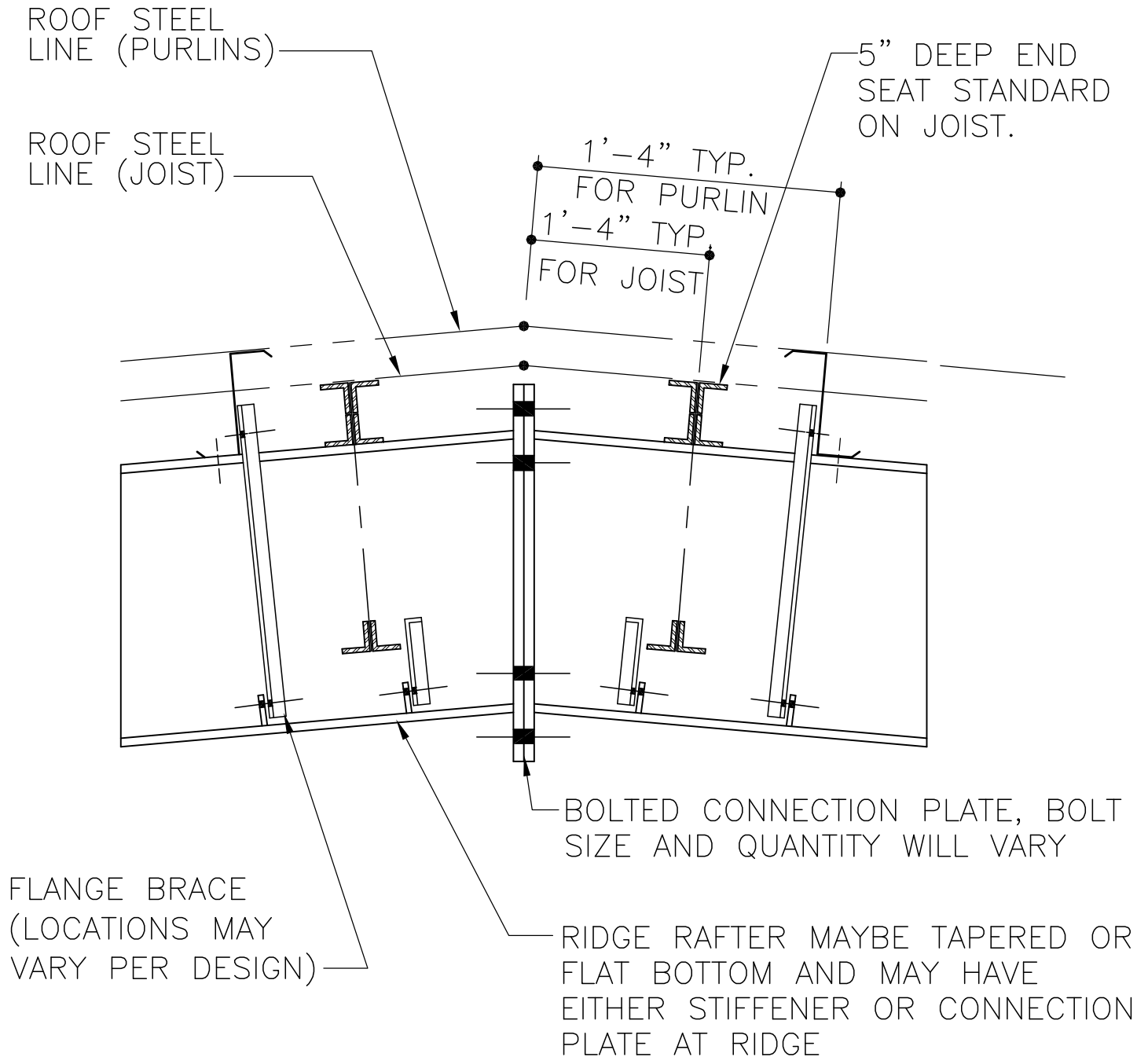
DETAIL NAME IF APPLICABLE
FD0060PE.DWG

11.1.8



PRODUCT & ENGINEERING MANUAL

FD0070PE – RIGID FRAME RIDGE CONDITION



LAST REVISION
DATE: 08/24/09
BY: DLC CHK: AES

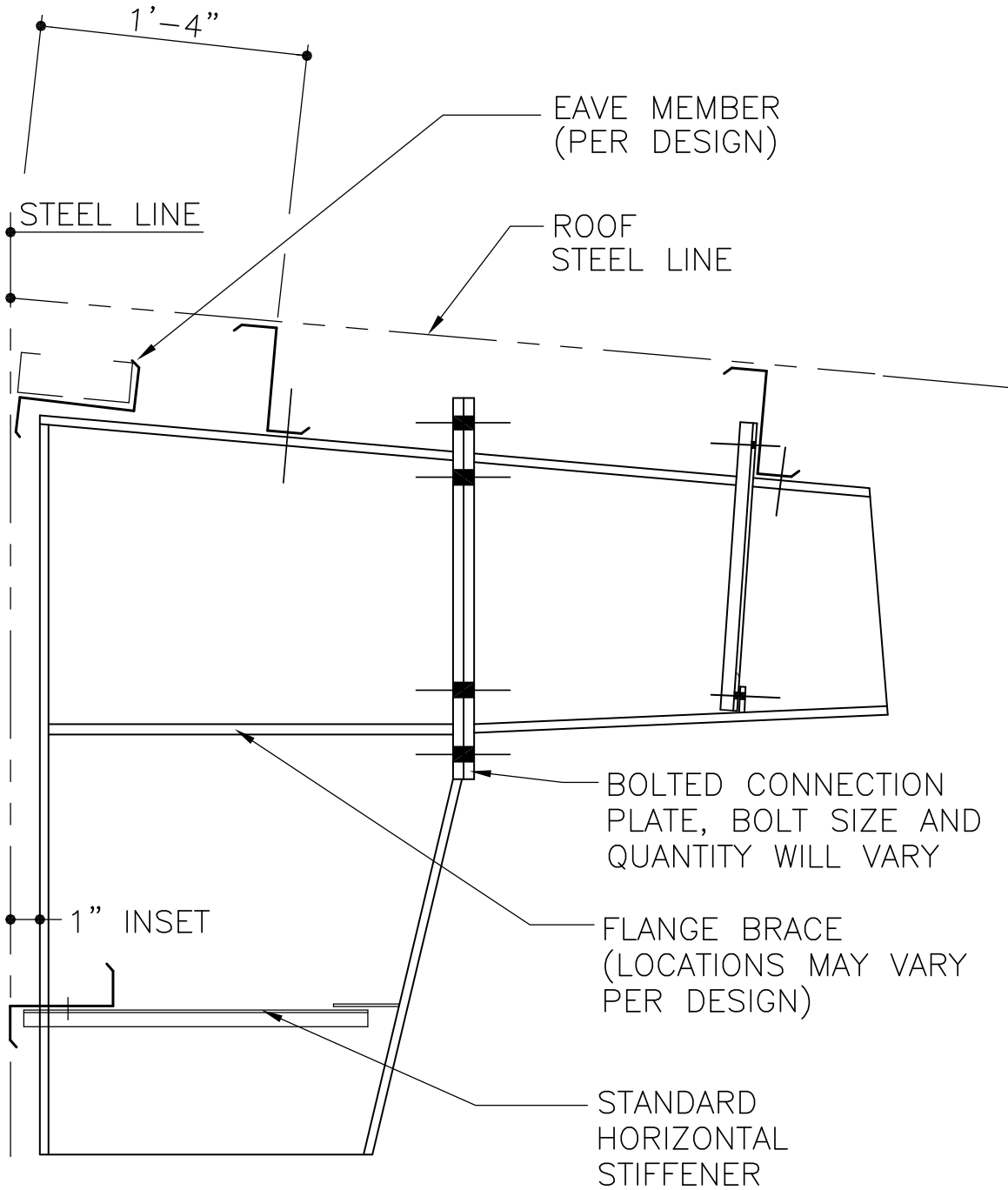
DETAIL NAME IF APPLICABLE
FD0070PE.DWG

11.1.9



PRODUCT & ENGINEERING MANUAL

FD0080PE – RIGID FRAME KNEE W/PURLINS HIGH EAVE – INSET



LAST REVISION
DATE: 02/09/0
BY: AES CHK: _____

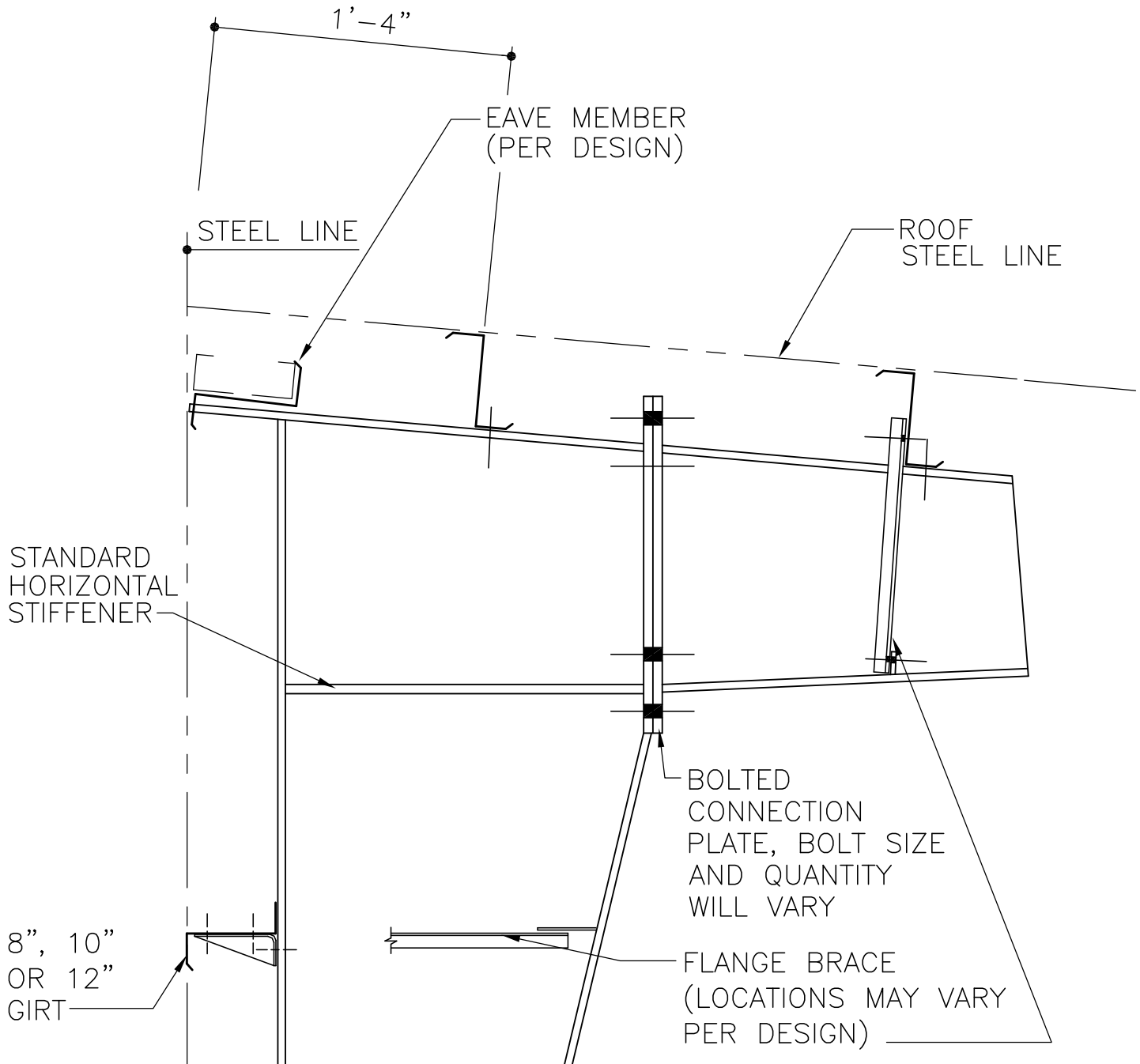
DETAIL NAME IF APPLICABLE
FD0080PE.DWG

11.1.10



PRODUCT & ENGINEERING MANUAL

FD0090PE – RIGID FRAME KNEE W/PURLINS HIGH EAVE - BYPASS



LAST REVISION
DATE: 08/24/09
BY: DLC CHK: AES

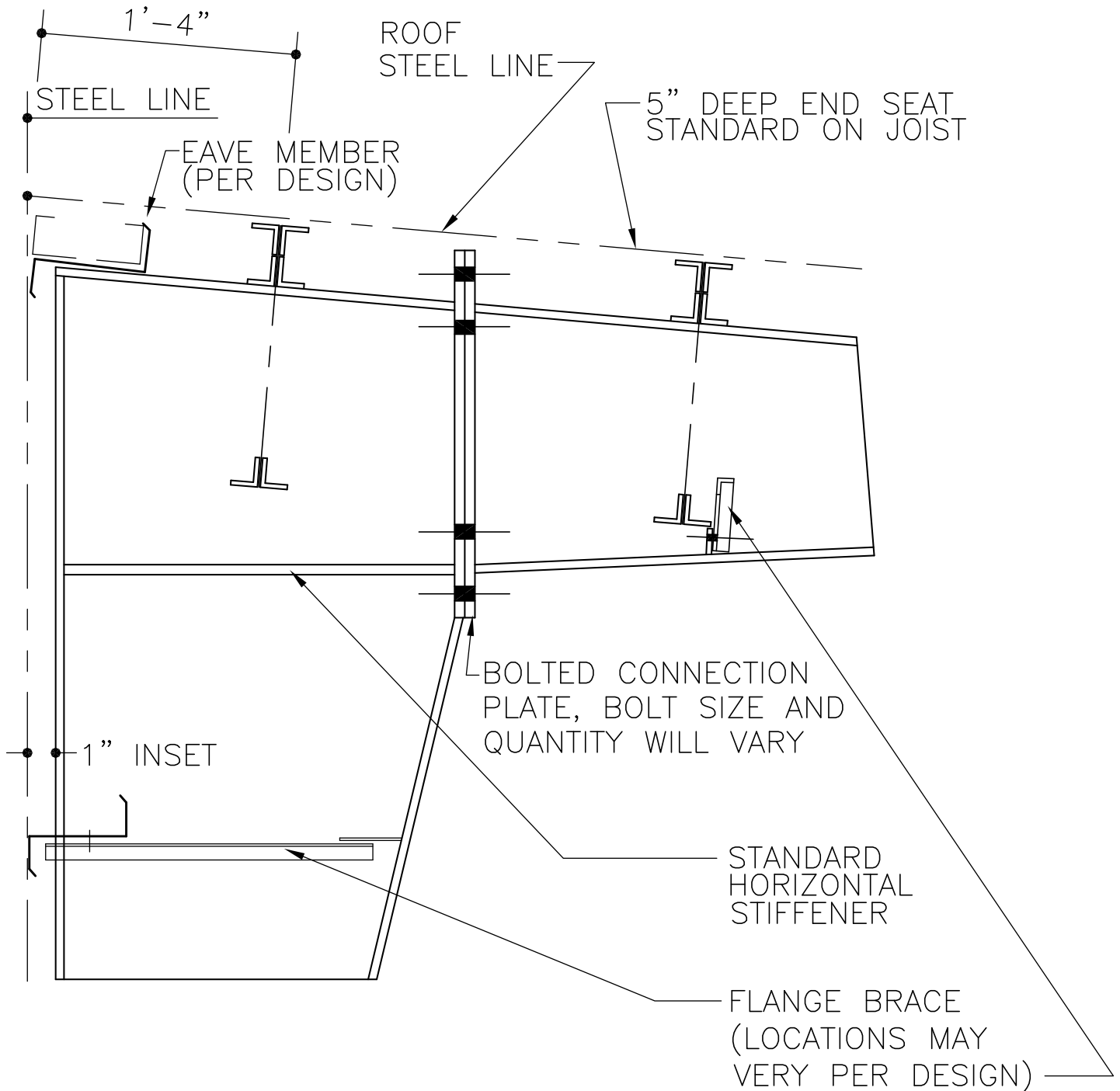
DETAIL NAME IF APPLICABLE
FD0090PE.DWG

11.1.11



PRODUCT & ENGINEERING MANUAL

FD0100PE – RIGID FRAME KNEE W/JOISTS HIGH EAVE – INSET



LAST REVISION
DATE: 08/24/09
BY: DLC CHK: AES

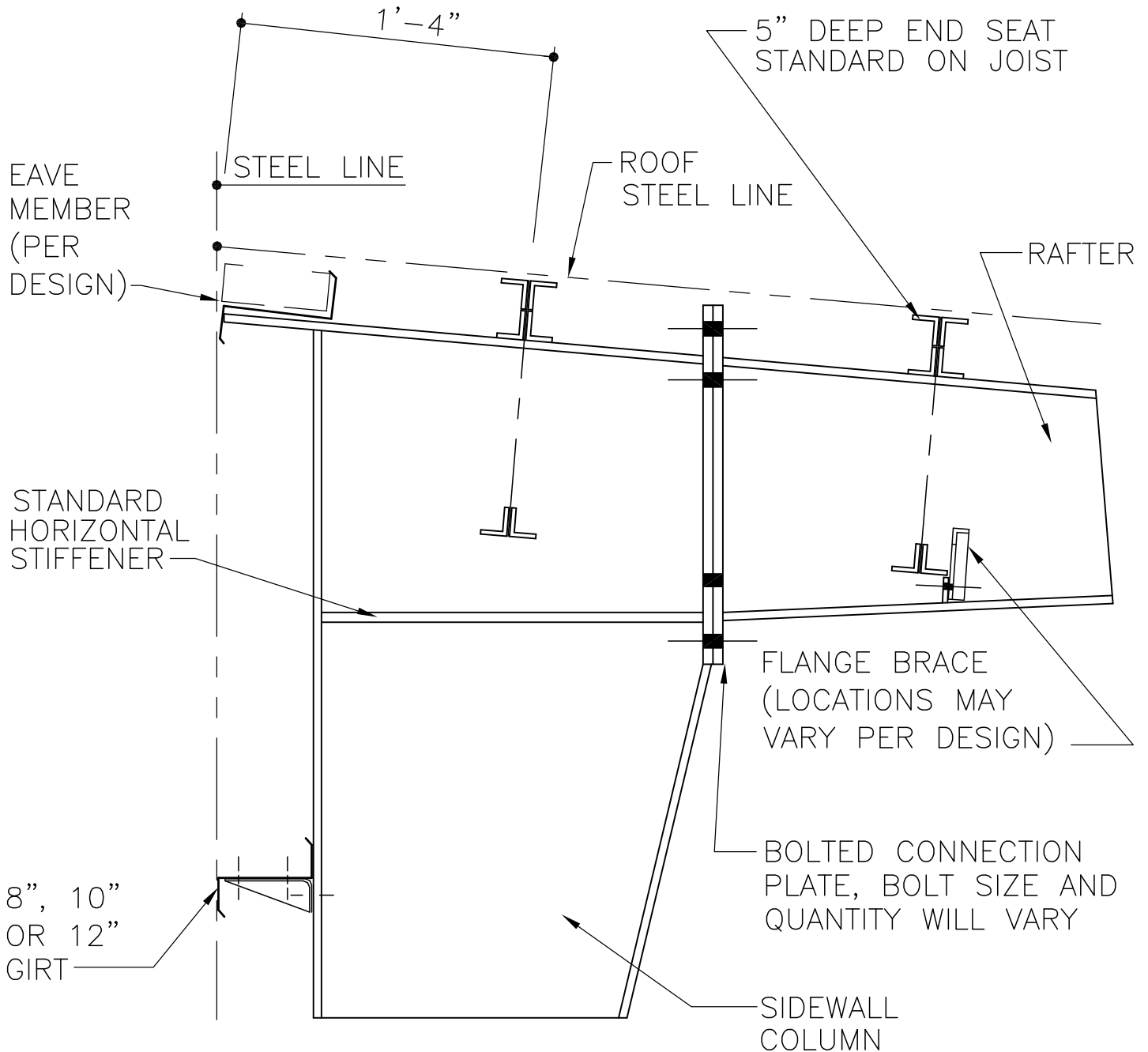
DETAIL NAME IF APPLICABLE
FD0100PE.DWG

11.1.12



PRODUCT & ENGINEERING MANUAL

FD0110PE – RIGID FRAME KNEE W/JOISTS HIGH EAVE - BYPASS



LAST REVISION
DATE: 08/24/09
BY: DLC CHK: AES

DETAIL NAME IF APPLICABLE
FD0110PE.DWG

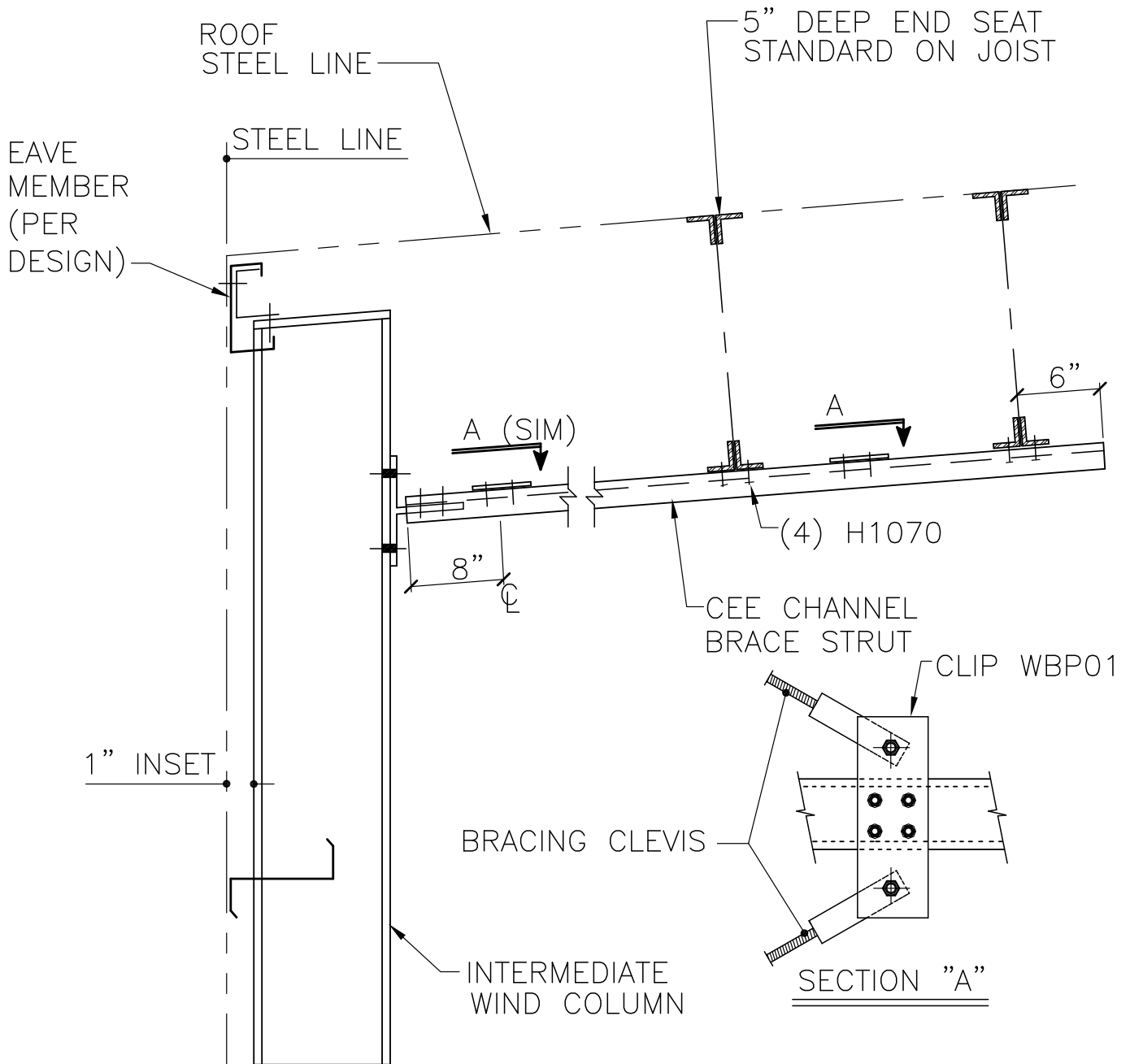
11.1.13



PRODUCT & ENGINEERING MANUAL

SIDEWALL WIND COLUMN

FD0120PE – SIDEWALL WIND COLUMN W/JOISTS LOW EAVE – INSET



LAST REVISION
DATE: 01/24/14
BY: HJP CHK: KMC

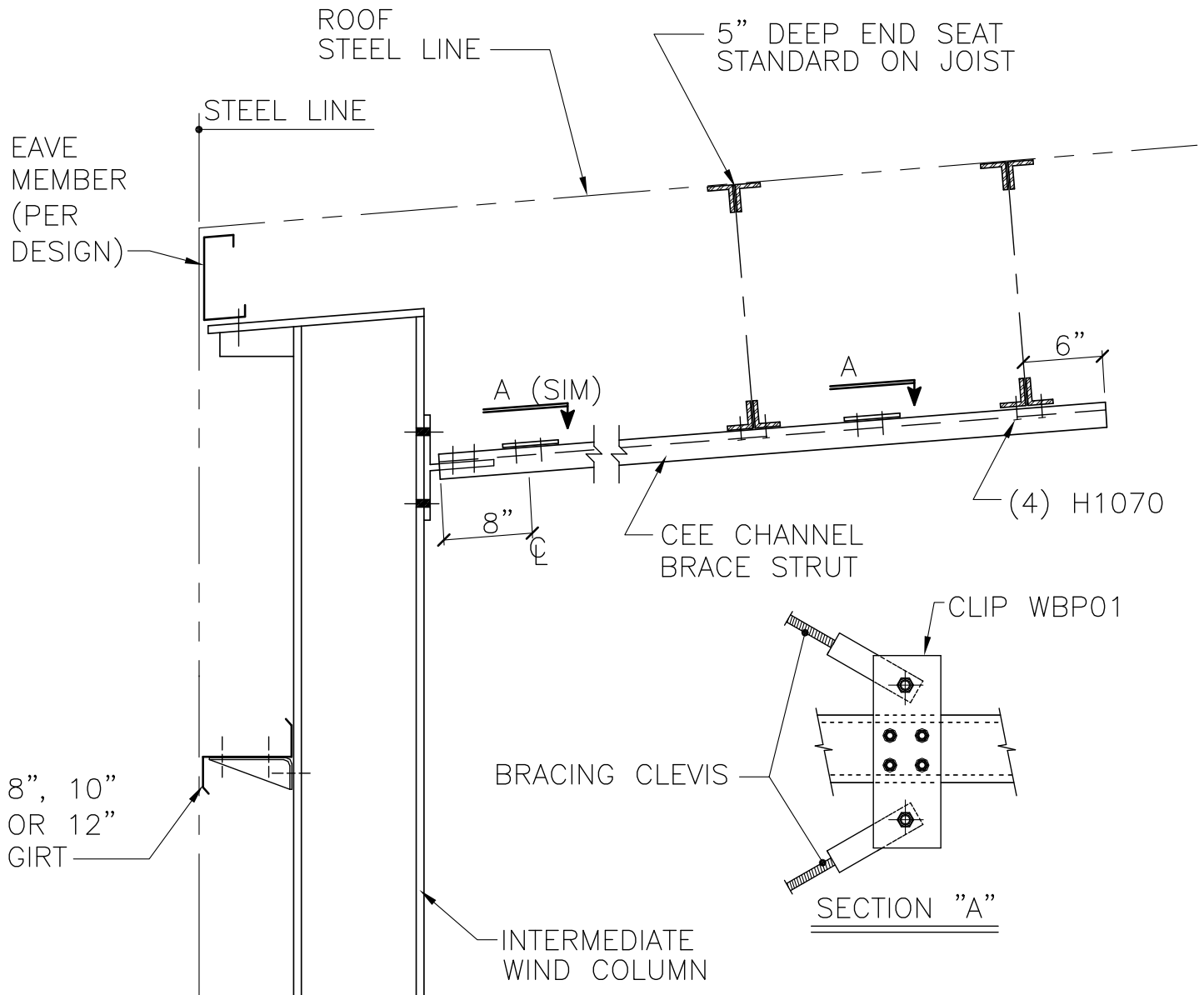
DETAIL NAME IF APPLICABLE
FD0120PE.DWG

11.1.14



PRODUCT & ENGINEERING MANUAL

FD0130PE – SIDEWALL WIND COLUMN W/JOISTS LOW EAVE - BYPASS



LAST REVISION
DATE: 01/24/14
BY: HJP CHK: KMC

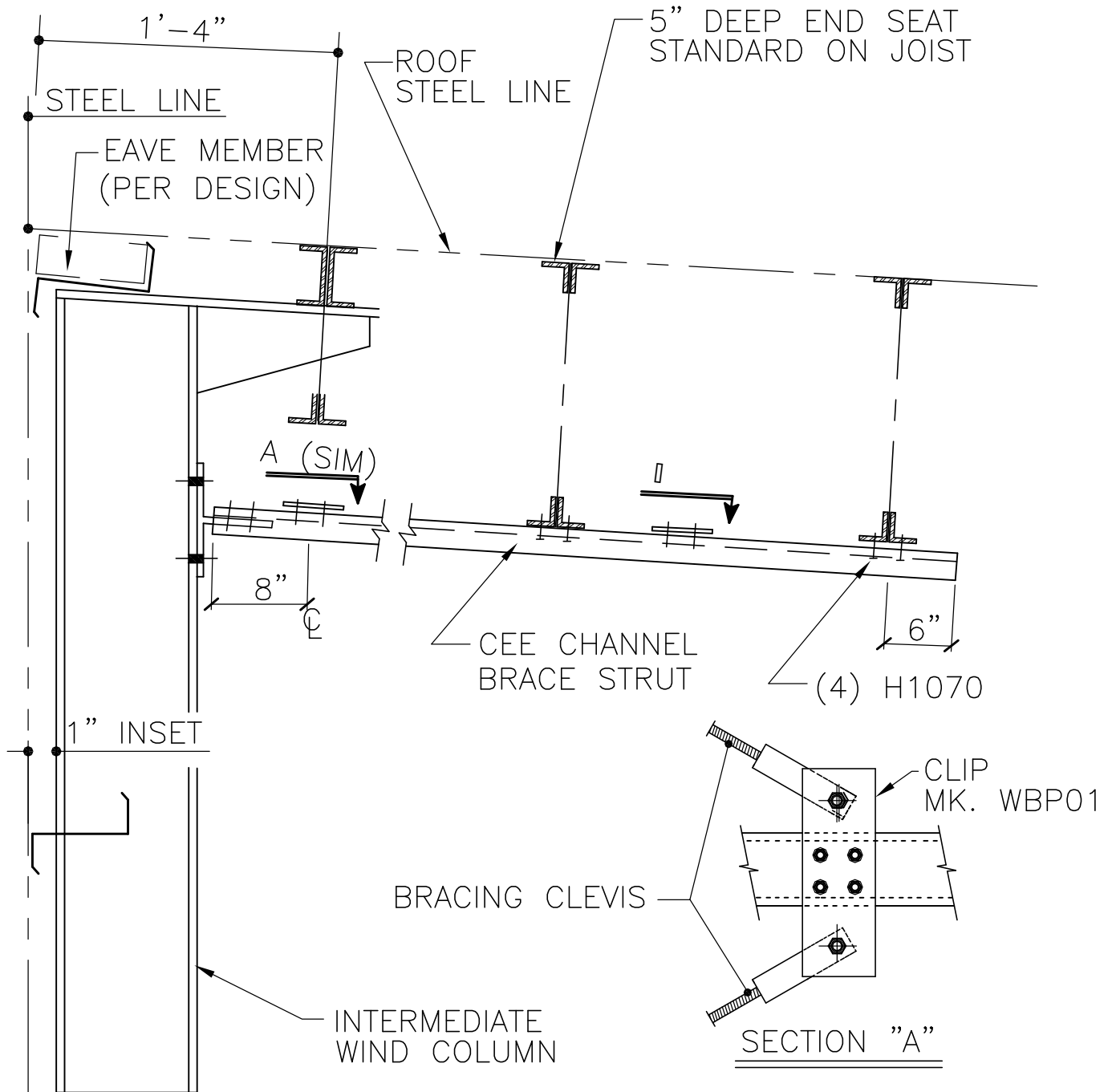
DETAIL NAME IF APPLICABLE
FD0130PE.DWG

11.1.15



PRODUCT & ENGINEERING MANUAL

FD0140PE – SIDEWALL WIND COLUMN W/JOISTS HIGH EAVE – INSET



LAST REVISION
DATE: 01/24/14
BY: HJP CHK: KMC

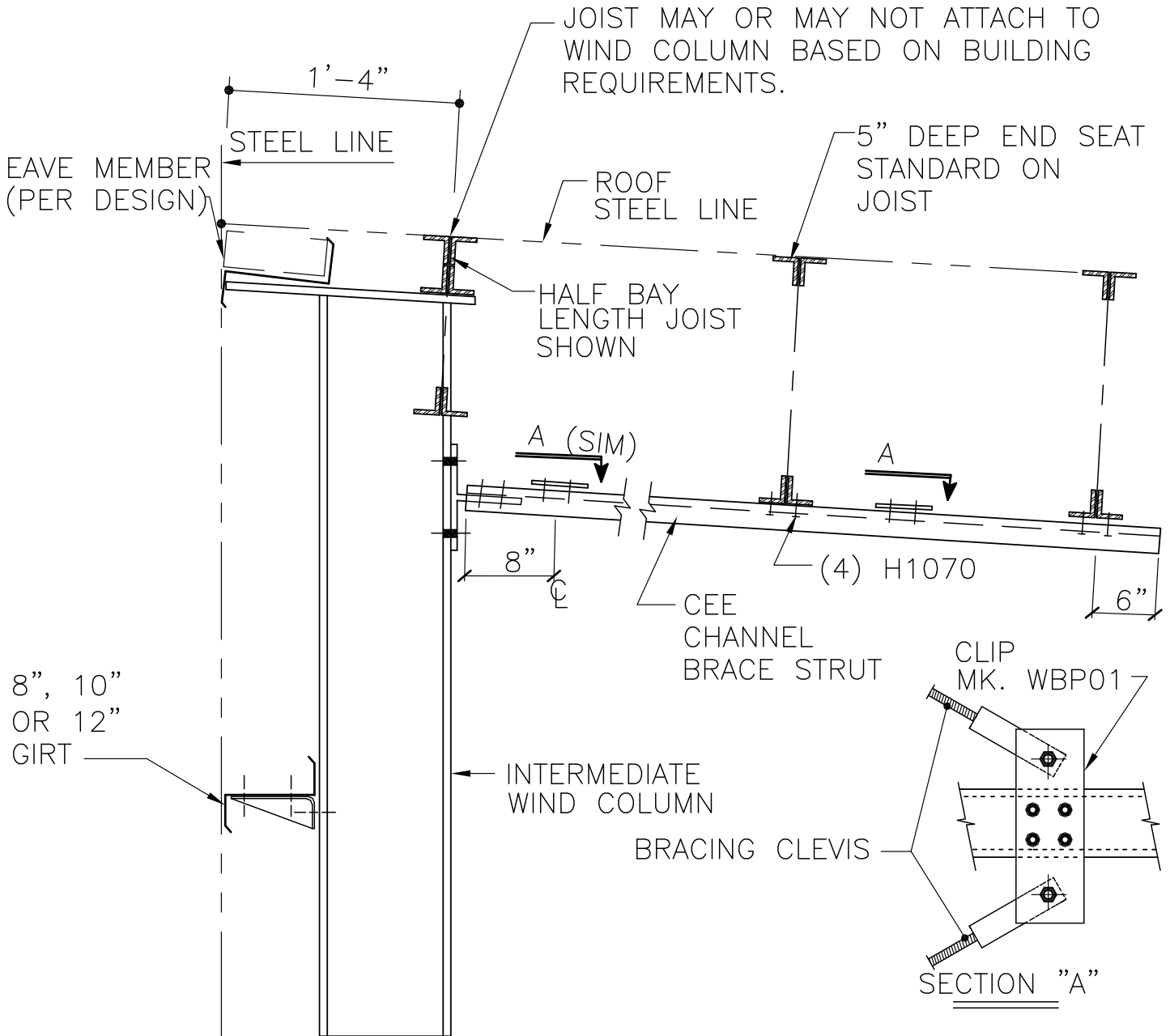
DETAIL NAME IF APPLICABLE
FD0140PE.DWG

11.1.16



PRODUCT & ENGINEERING MANUAL

FD0150PE – SIDEWALL WIND COLUMN W/JOISTS HIGH EAVE - BYPASS



LAST REVISION
DATE: 01/24/14
BY: HJP CHK: KMC

DETAIL NAME IF APPLICABLE
FD0150PE.DWG

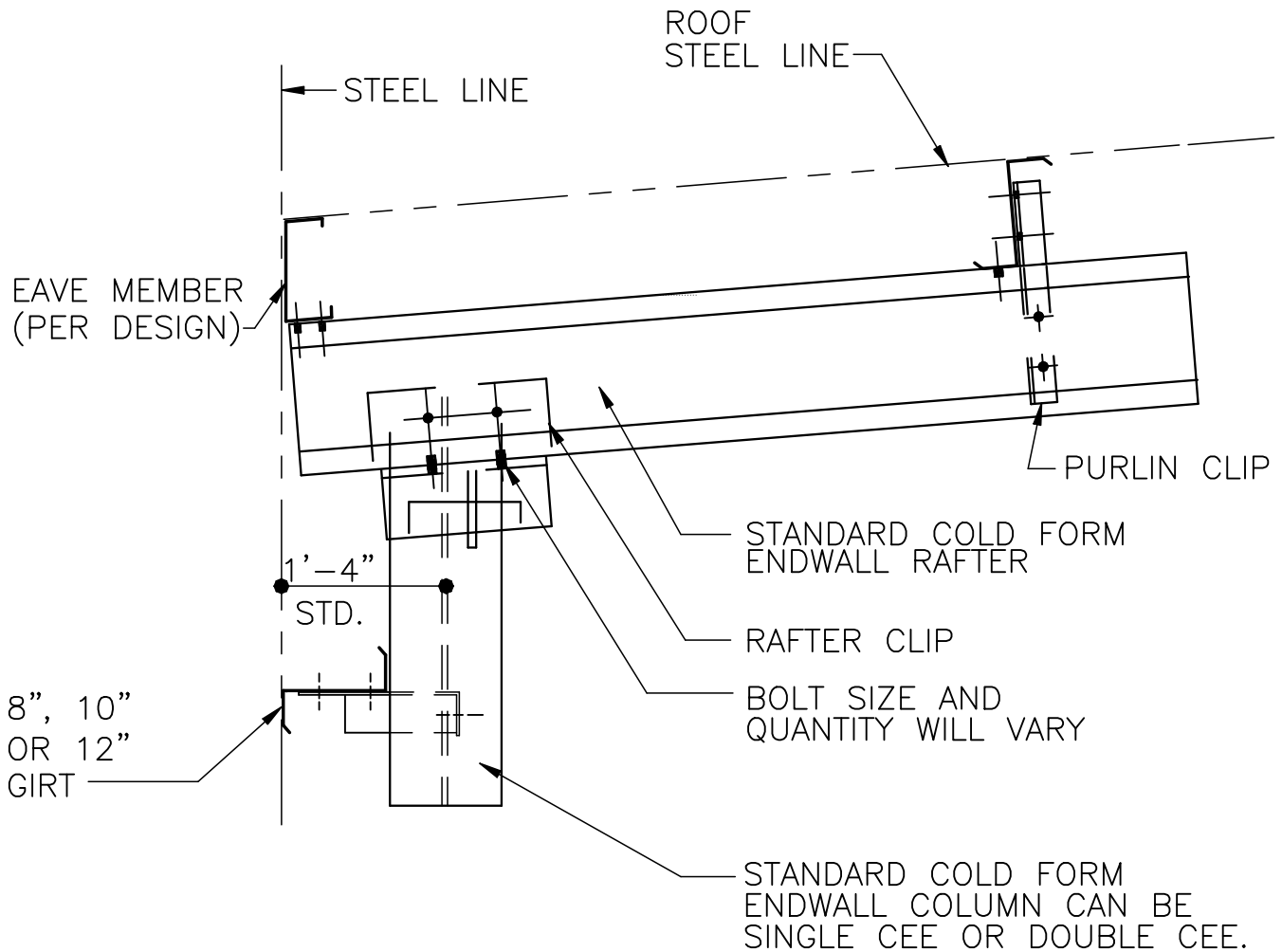
11.1.17



PRODUCT & ENGINEERING MANUAL

POST & BEAM

FD0160PE – ENDWALL CORNER COLUMN W/PURLINS LOW EAVE-(C.F. COL. & RAFTER)



LAST REVISION
DATE: 02/09/01
BY: CDM CHK: RJF

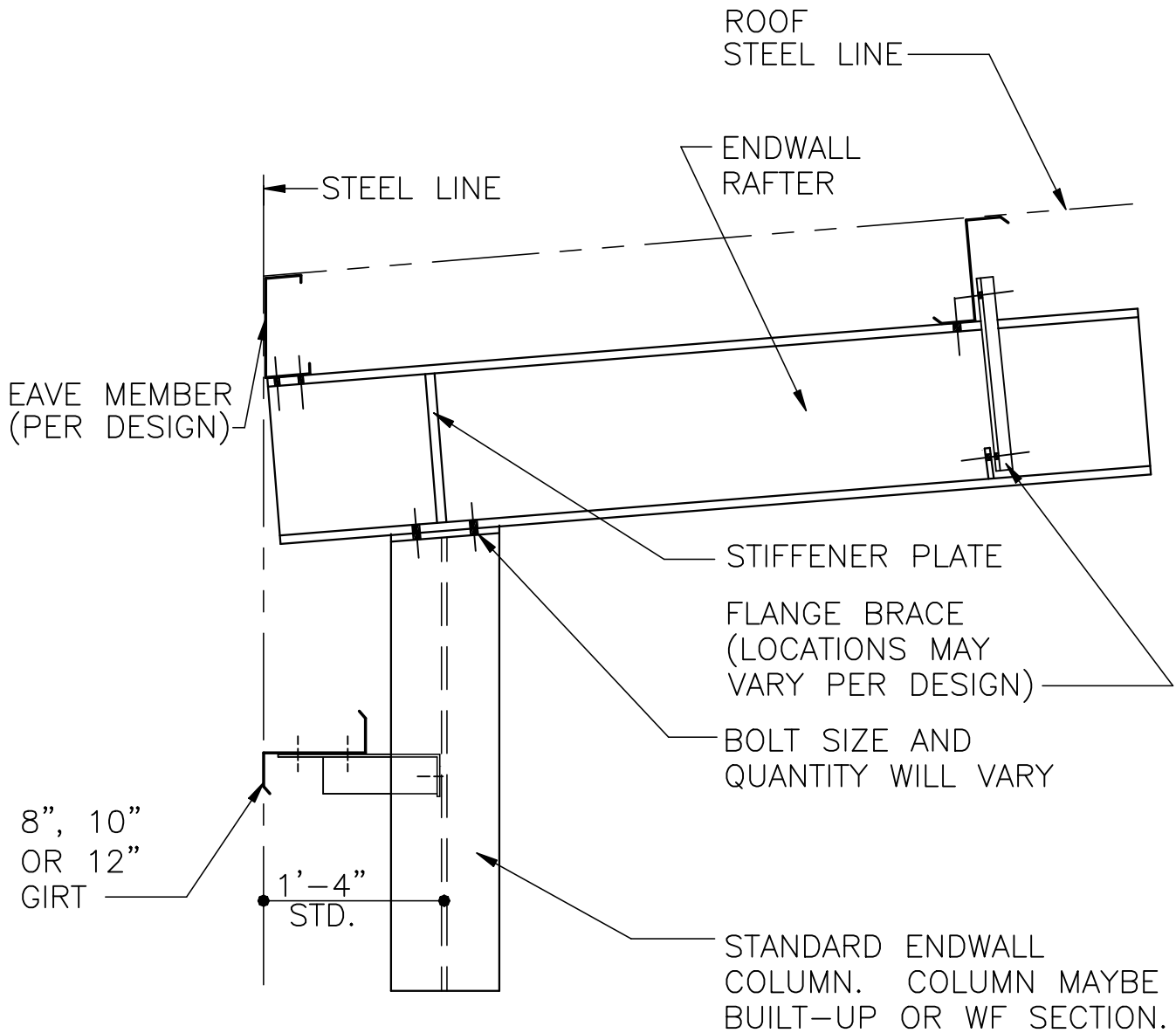
DETAIL NAME IF APPLICABLE
FD0160PE.DWG

11.1.18



PRODUCT & ENGINEERING MANUAL

FD0170PE – ENDWALL CORNER COLUMN W/PURLINS LOW EAVE-(H - SECTION)



LAST REVISION
DATE: 02/09/01
BY: CDM CHK: RJF

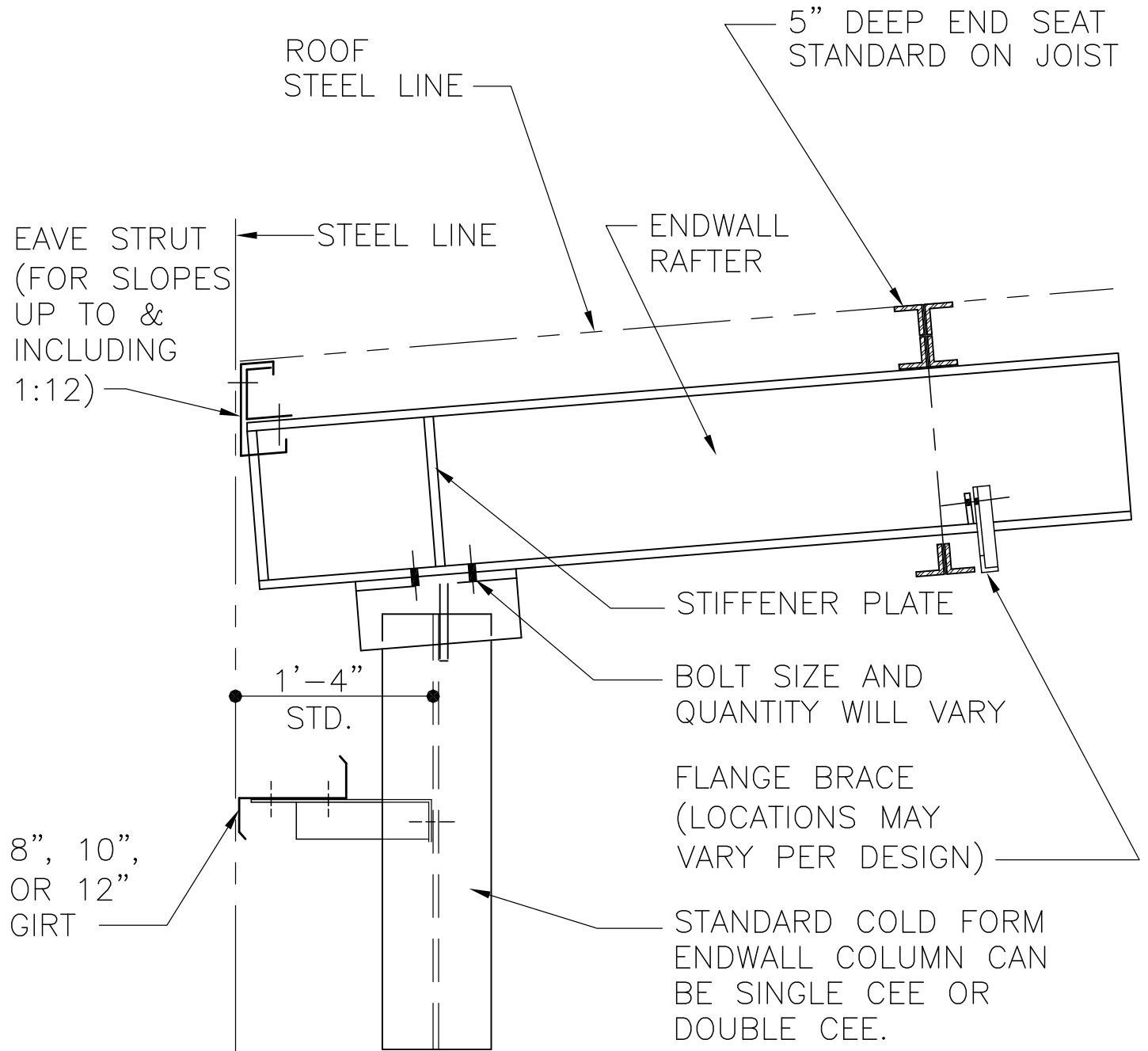
DETAIL NAME IF APPLICABLE
FD0170PE.DWG

11.1.19



PRODUCT & ENGINEERING MANUAL

FD0180PE – ENDWALL CORNER COLUMN W/JOISTS LOW EAVE-(C.F.COLUMN)



LAST REVISION
DATE: 08/24/09
BY: DLC CHK: AES

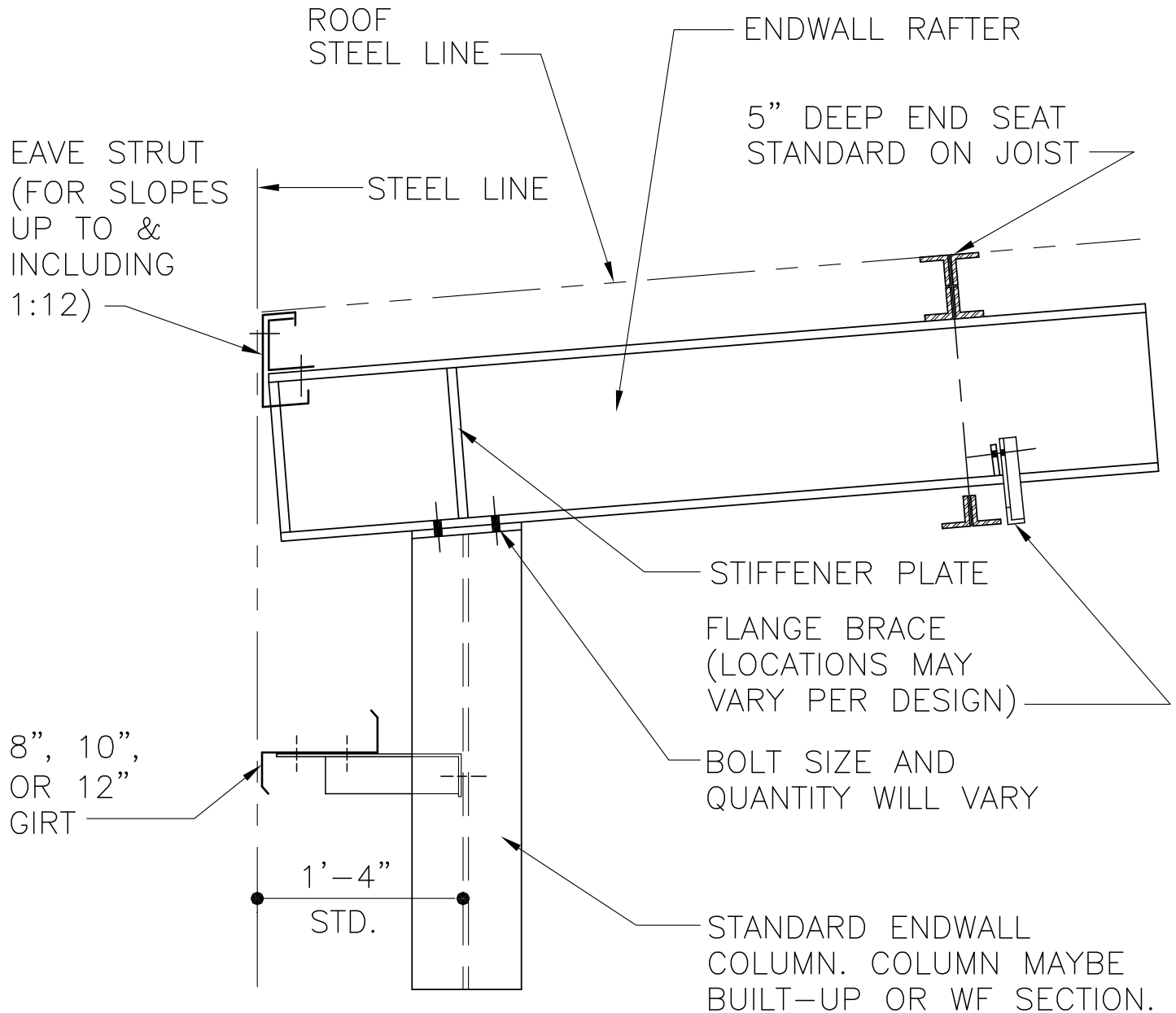
DETAIL NAME IF APPLICABLE
FD0180PE.DWG

11.1.20



PRODUCT & ENGINEERING MANUAL

FD0190PE – ENDWALL CORNER COLUMN W/JOISTS LOW EAVE - (H - SECTION)



LAST REVISION
DATE: 08/24/09
BY: DLC CHK: AES

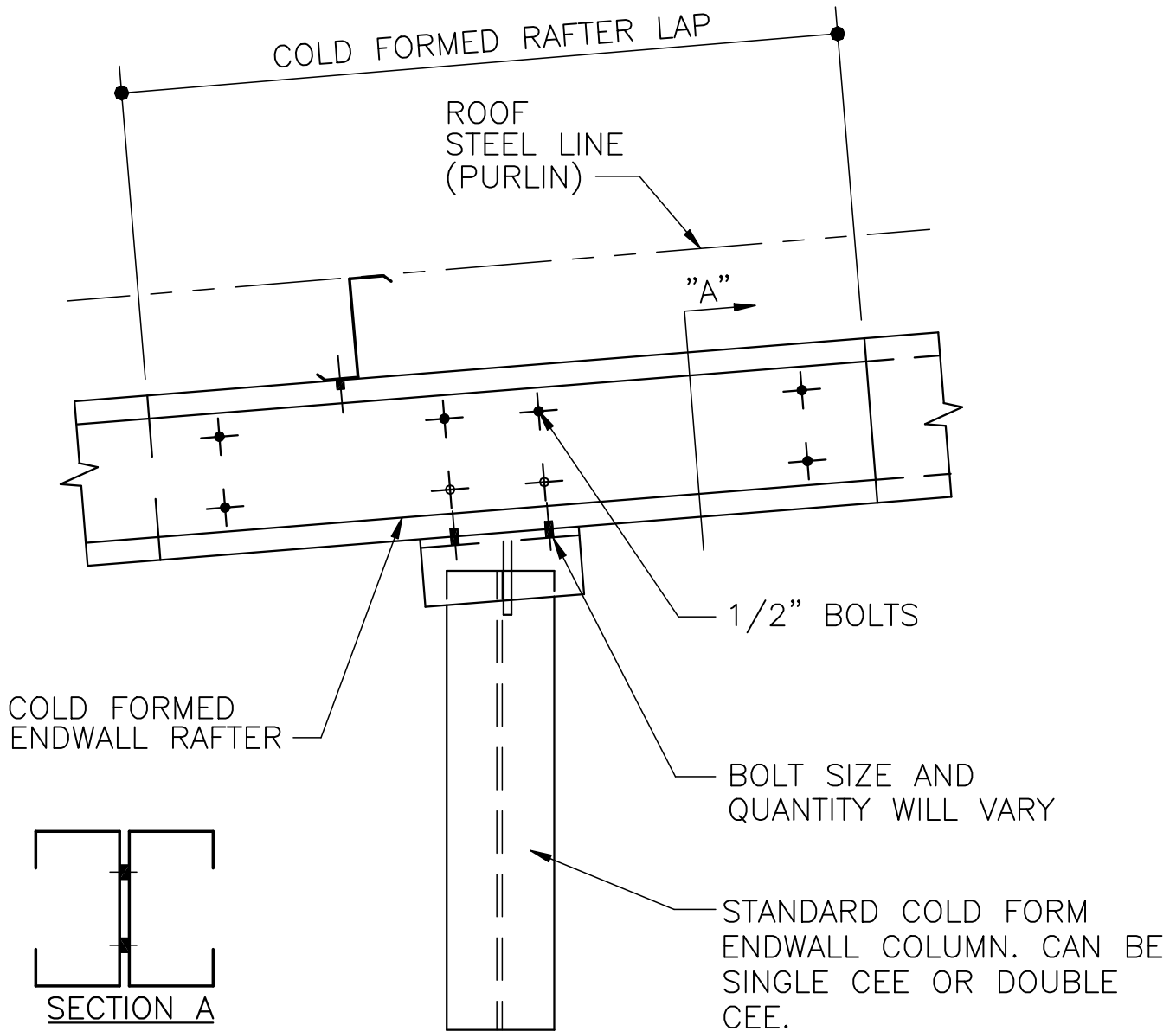
DETAIL NAME IF APPLICABLE
FD0190PE.DWG

11.1.21



PRODUCT & ENGINEERING MANUAL

FD0200PE – TOP OF ENDWALL COLUMN (C.F. COL. & RAFTER)



LAST REVISION
DATE: 02/09/01
BY: CDM CHK: RJF

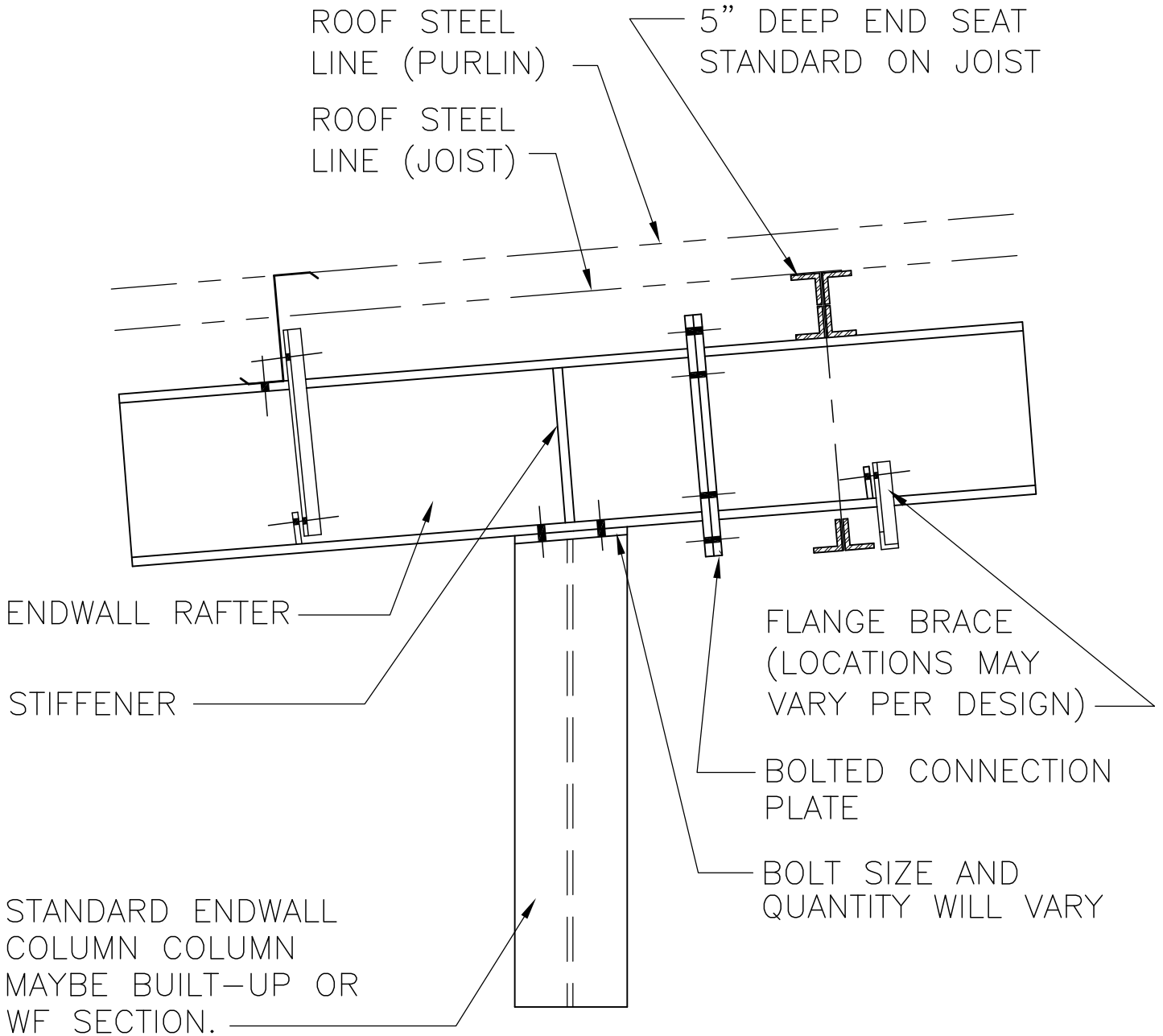
DETAIL NAME IF APPLICABLE
FD0200PE.DWG

11.1.22



PRODUCT & ENGINEERING MANUAL

FD0210PE – TOP OF ENDWALL COLUMN (H - SECTION)



LAST REVISION
DATE: 08/24/09
BY: DLC CHK: AES

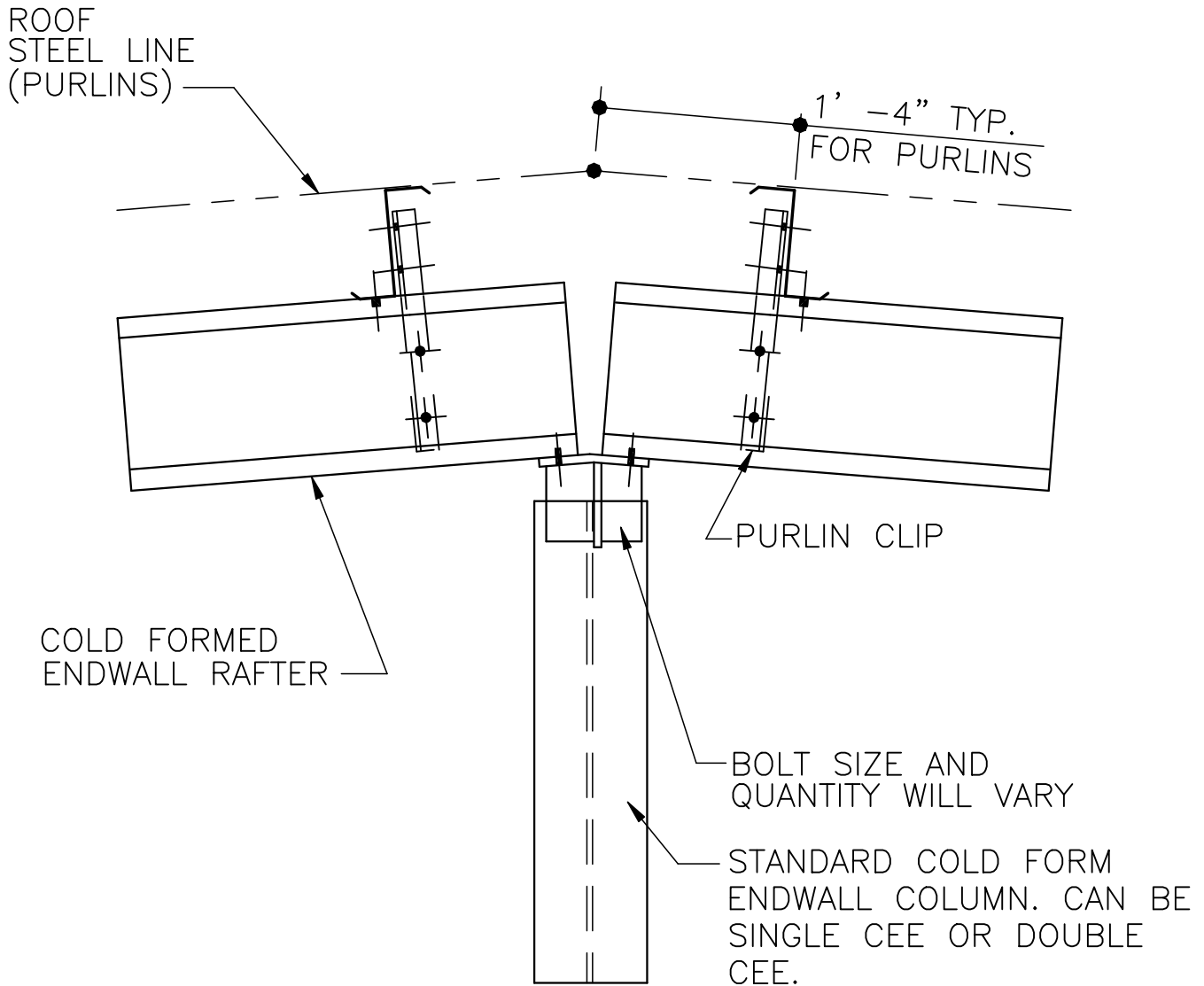
DETAIL NAME IF APPLICABLE
FD0210PE.DWG

11.1.23



PRODUCT & ENGINEERING MANUAL

FD0220PE – ENDWALL RIDGE W/CENTER COLUMN (C.F. RAFTER)



LAST REVISION
DATE: 02/09/01
BY: CDM CHK: RJF

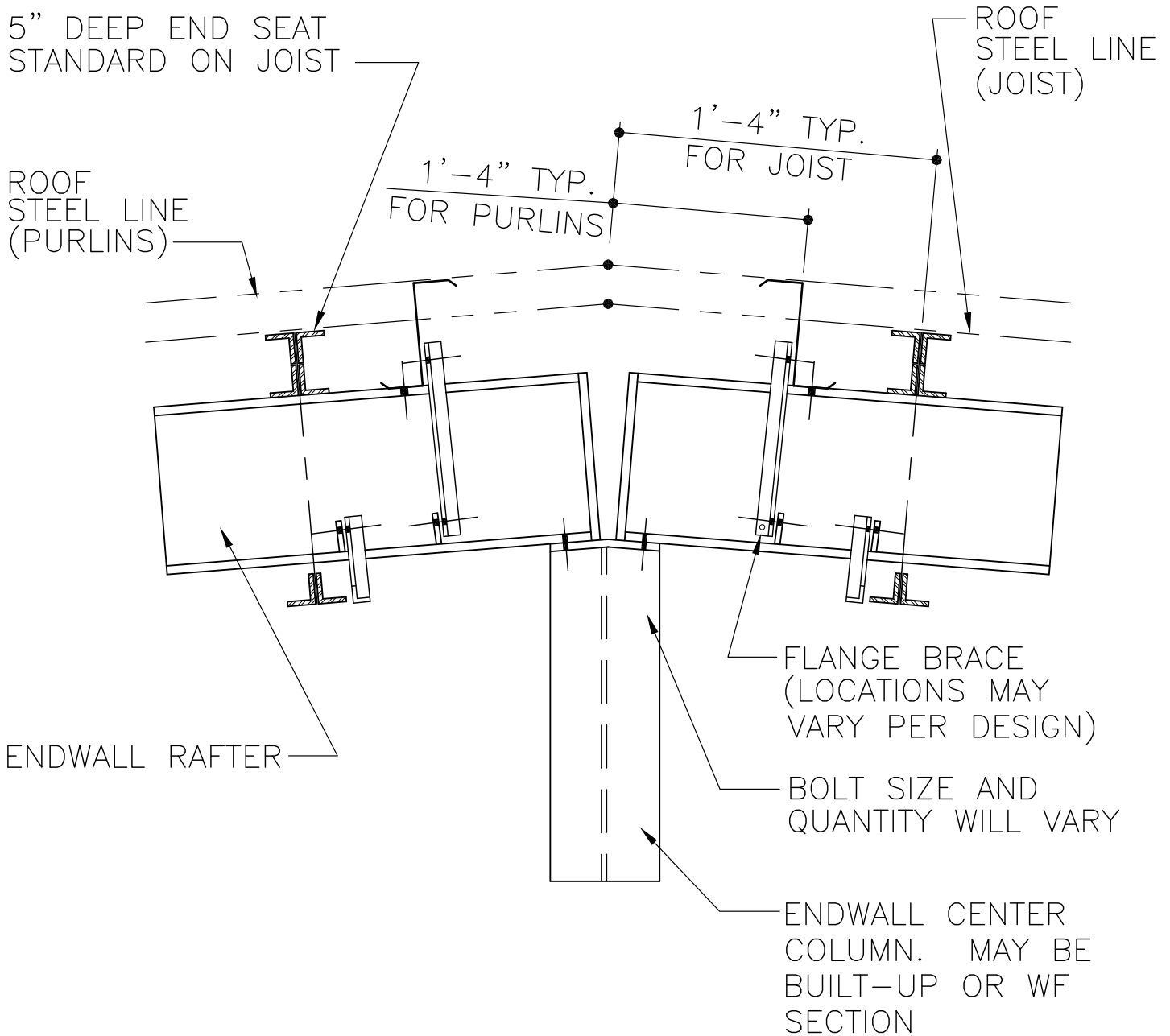
DETAIL NAME IF APPLICABLE
FD0220PE.DWG

11.1.24



PRODUCT & ENGINEERING MANUAL

FD0230PE – ENDWALL RIDGE CONDITION W/CENTER COLUMN (H - SECTION)



LAST REVISION
DATE: 08/24/09
BY: DLC CHK: AES

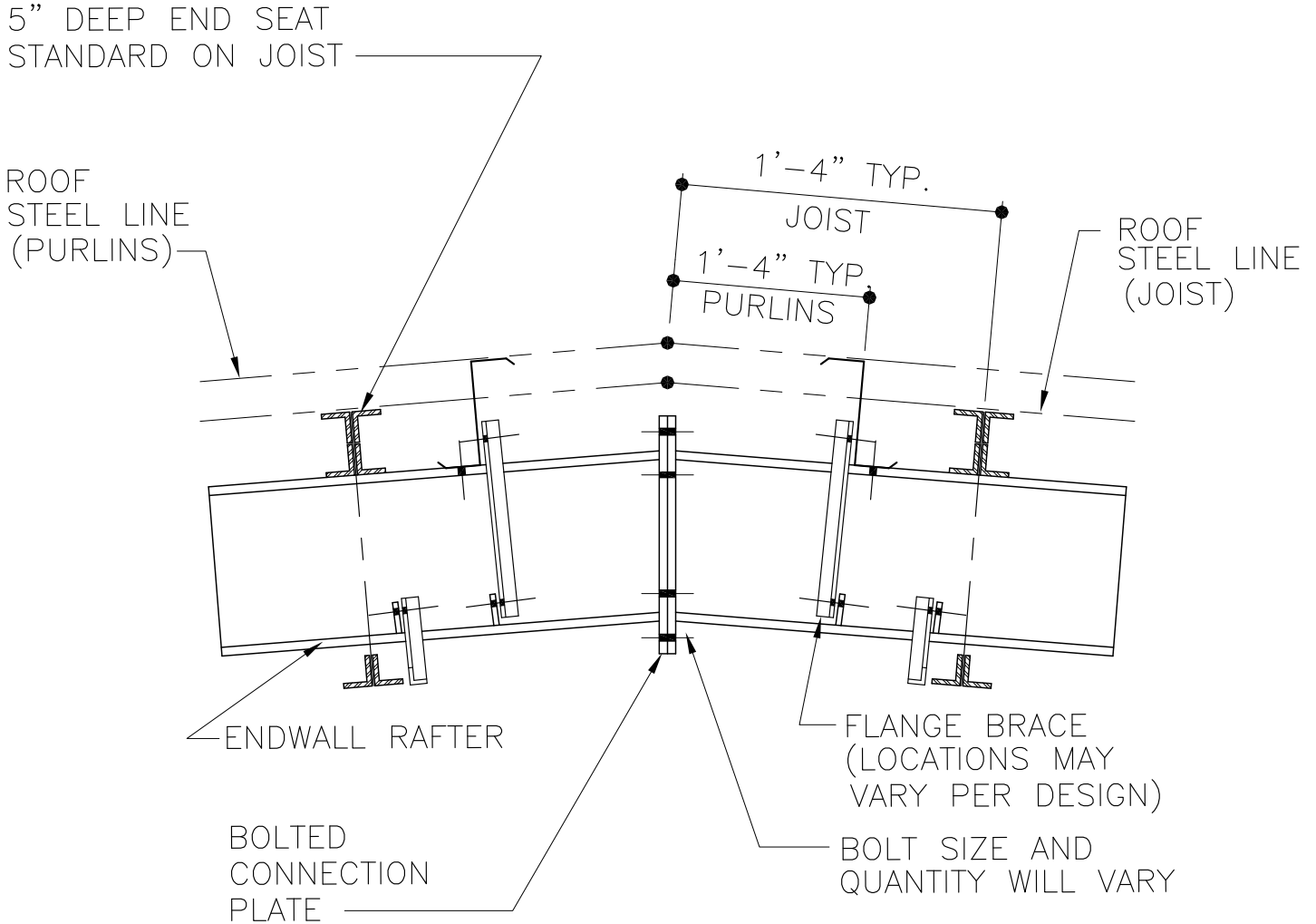
DETAIL NAME IF APPLICABLE
FD0230PE.DWG

11.1.25



PRODUCT & ENGINEERING MANUAL

FD0240PE – ENDWALL RIDGE CONDITION WITHOUT CENTER COLUMN (H - SECTION)



LAST REVISION
DATE: 08/24/09
BY: DLC CHK: AES

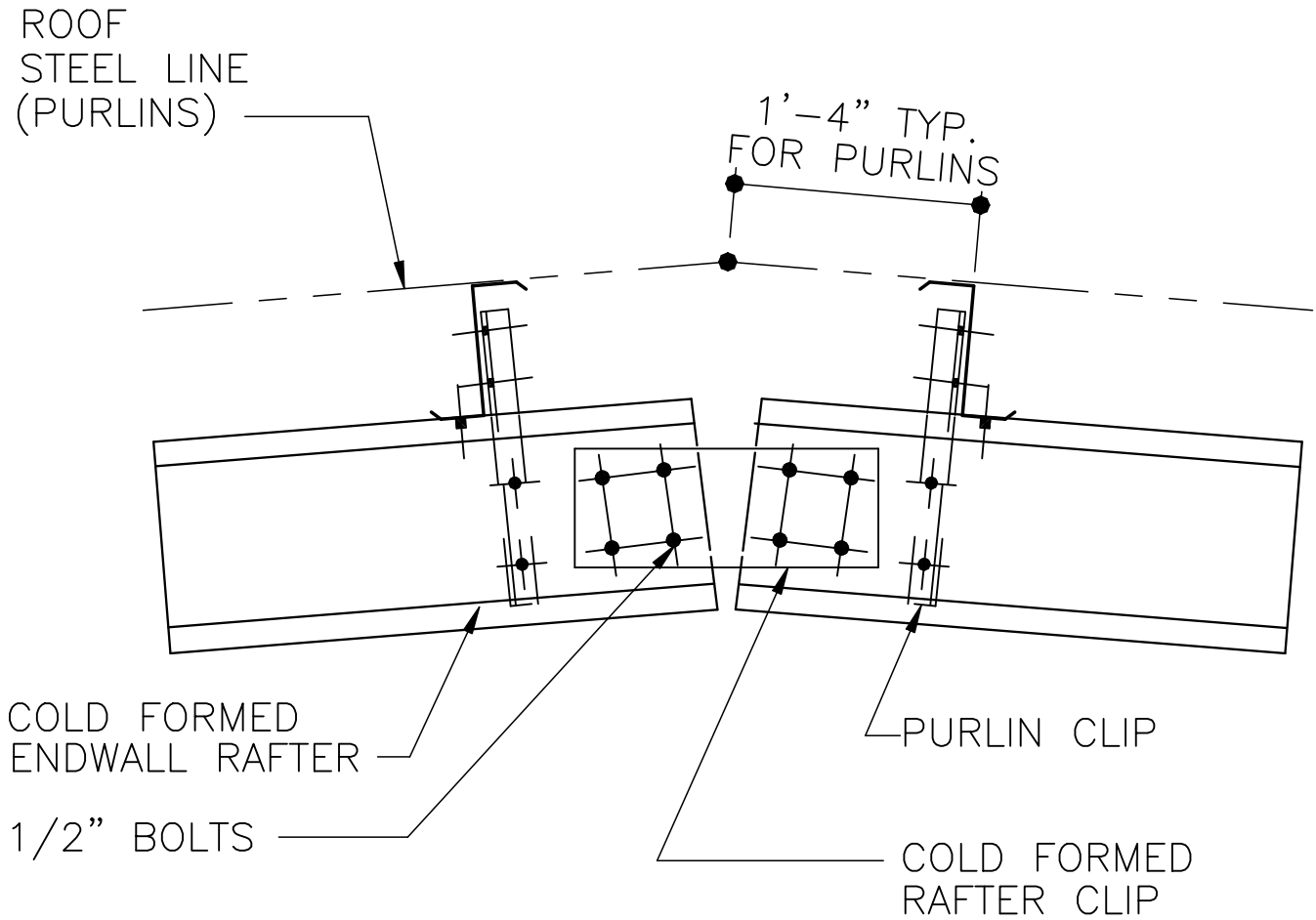
DETAIL NAME IF APPLICABLE
FD0240PE.DWG

11.1.26



PRODUCT & ENGINEERING MANUAL

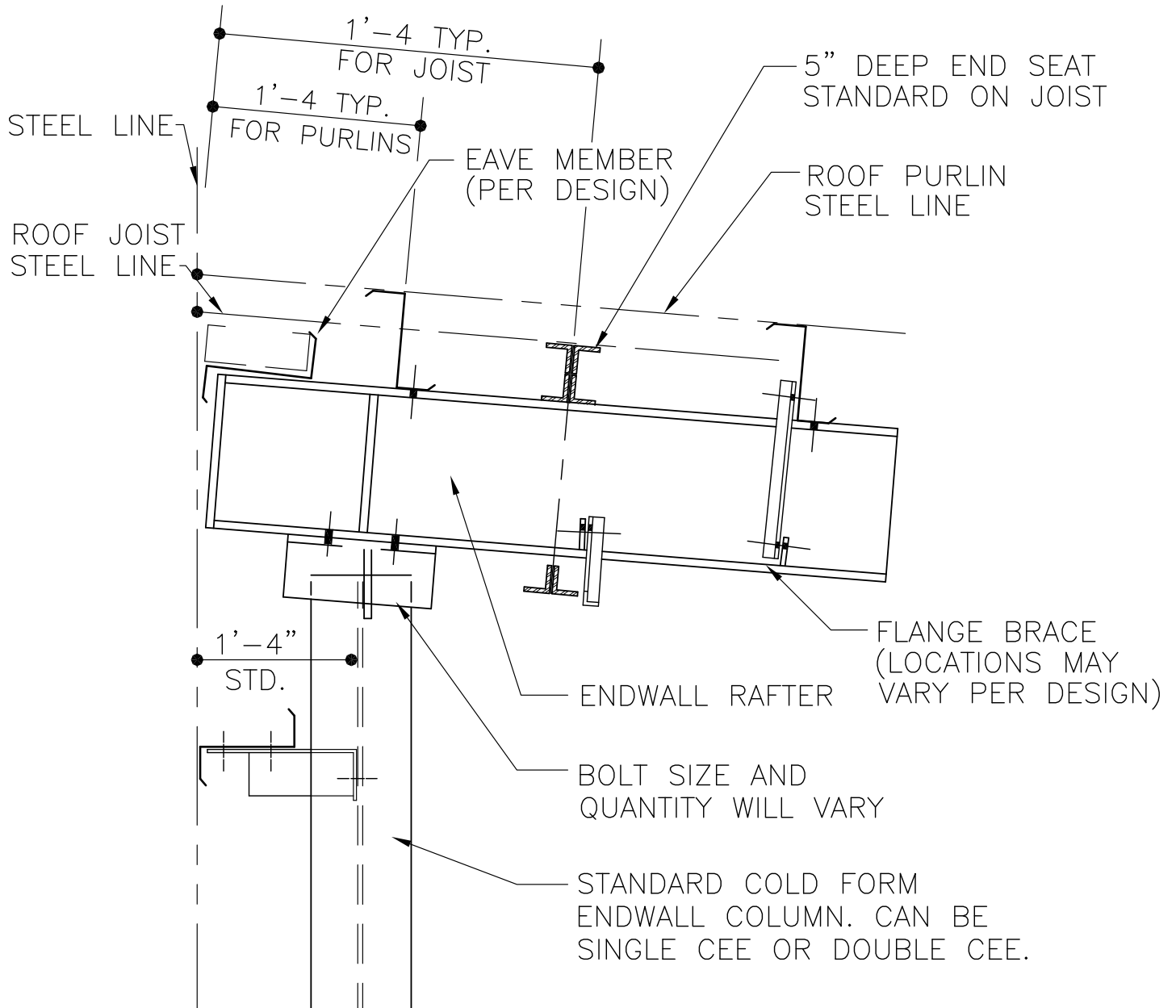
FD0245PE – ENDWALL RIDGE CONDITION WITHOUT CENTER COLUMN (C.F. RAFTER)





PRODUCT & ENGINEERING MANUAL

FD0250PE – ENDWALL CORNER COLUMN HIGH EAVE (C.F. COLUMN)



LAST REVISION
DATE: 08/24/09
BY: DLC CHK: AES

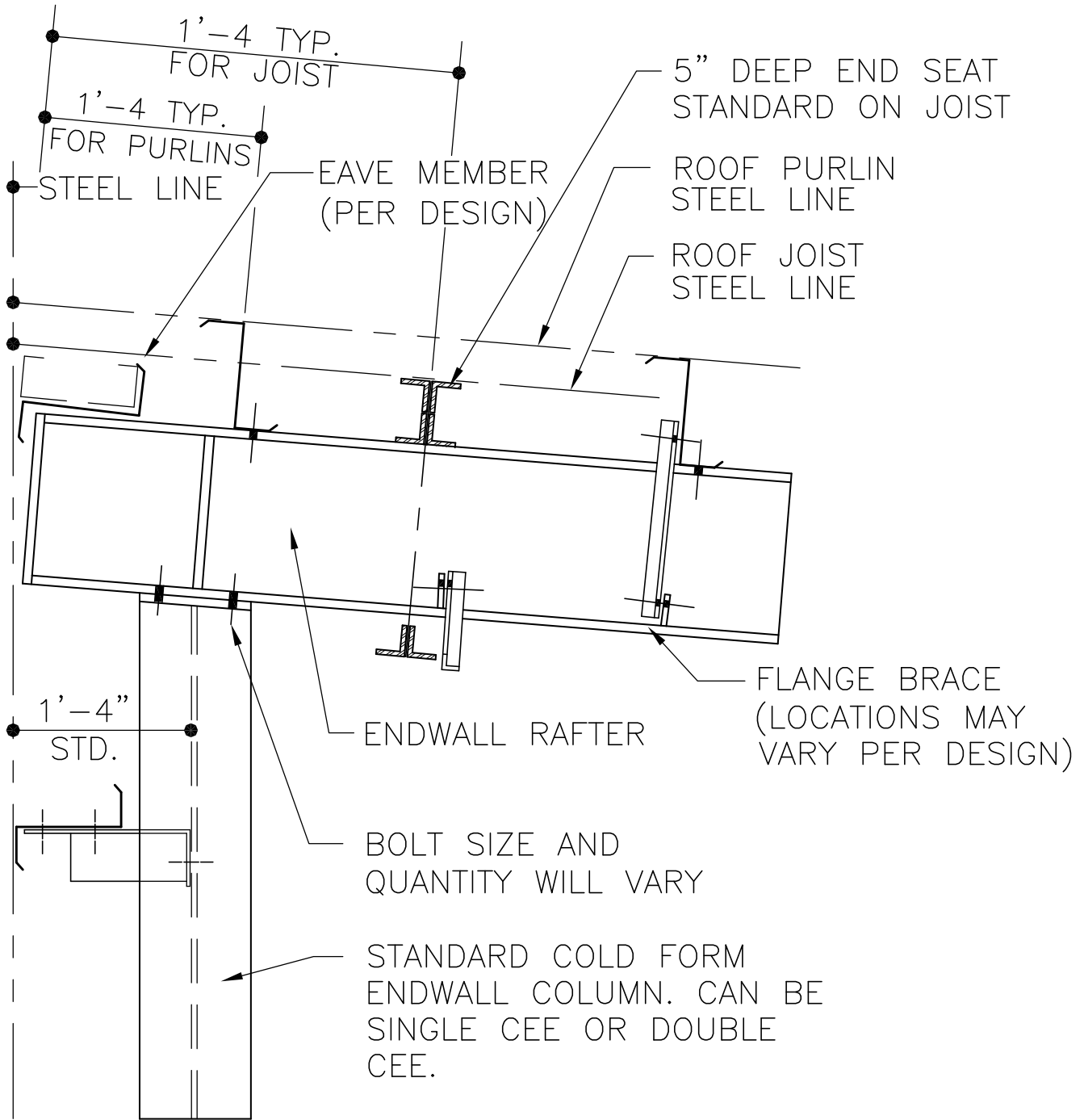
DETAIL NAME IF APPLICABLE
FD0250PE.DWG

11.1.28



PRODUCT & ENGINEERING MANUAL

FD0260PE – ENDWALL CORNER COLUMN HIGH EAVE (H - SECTION)



LAST REVISION
DATE: 08/24/09
BY: DLC CHK: AES

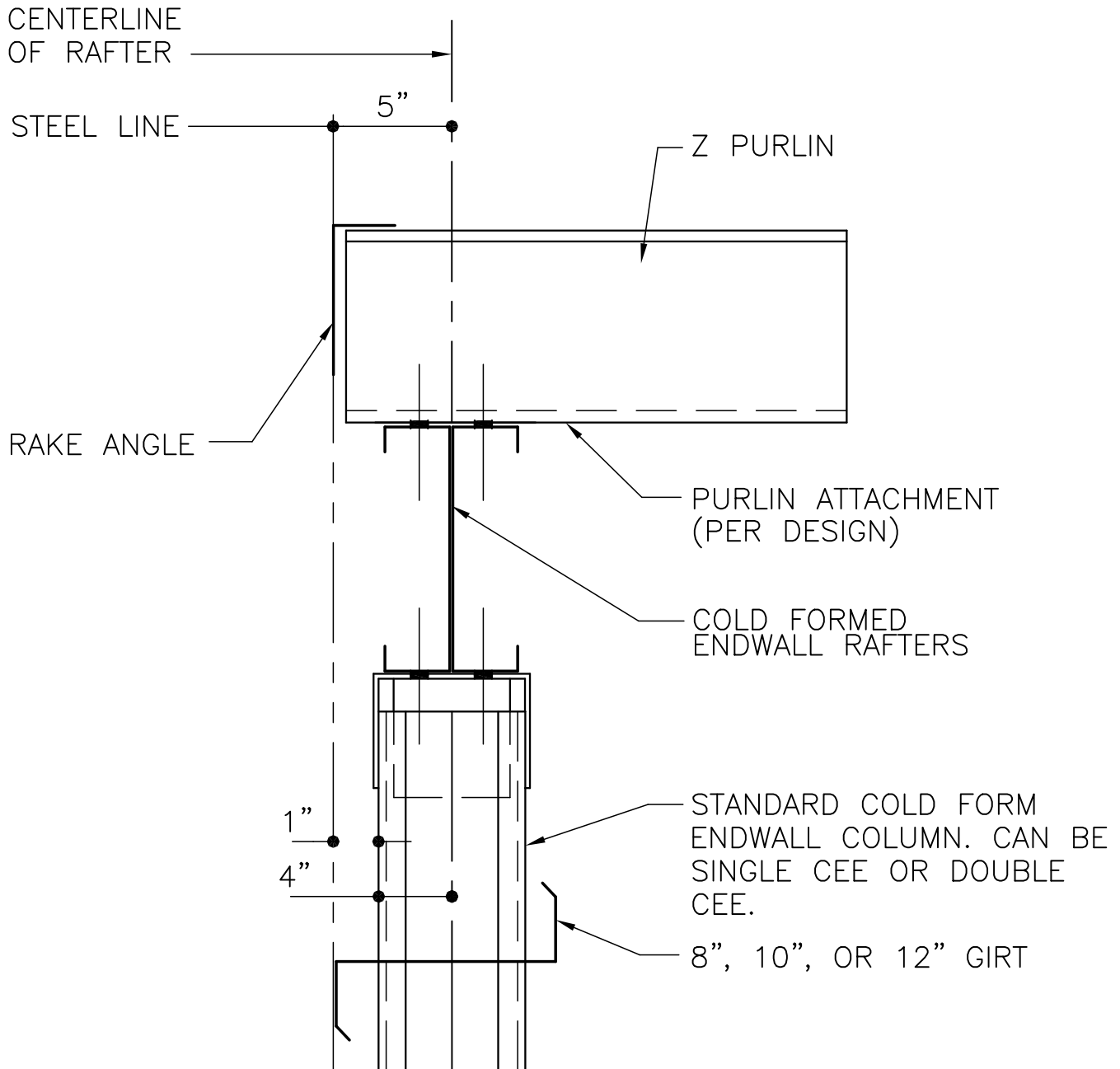
DETAIL NAME IF APPLICABLE
FD0260PE.DWG

11.1.29



PRODUCT & ENGINEERING MANUAL

FD0270PE – ENDWALL W/PURLINS (C.F. COL. & RAFTER) – INSET



LAST REVISION
DATE: 02/09/01
BY: CDM CHK: RJF

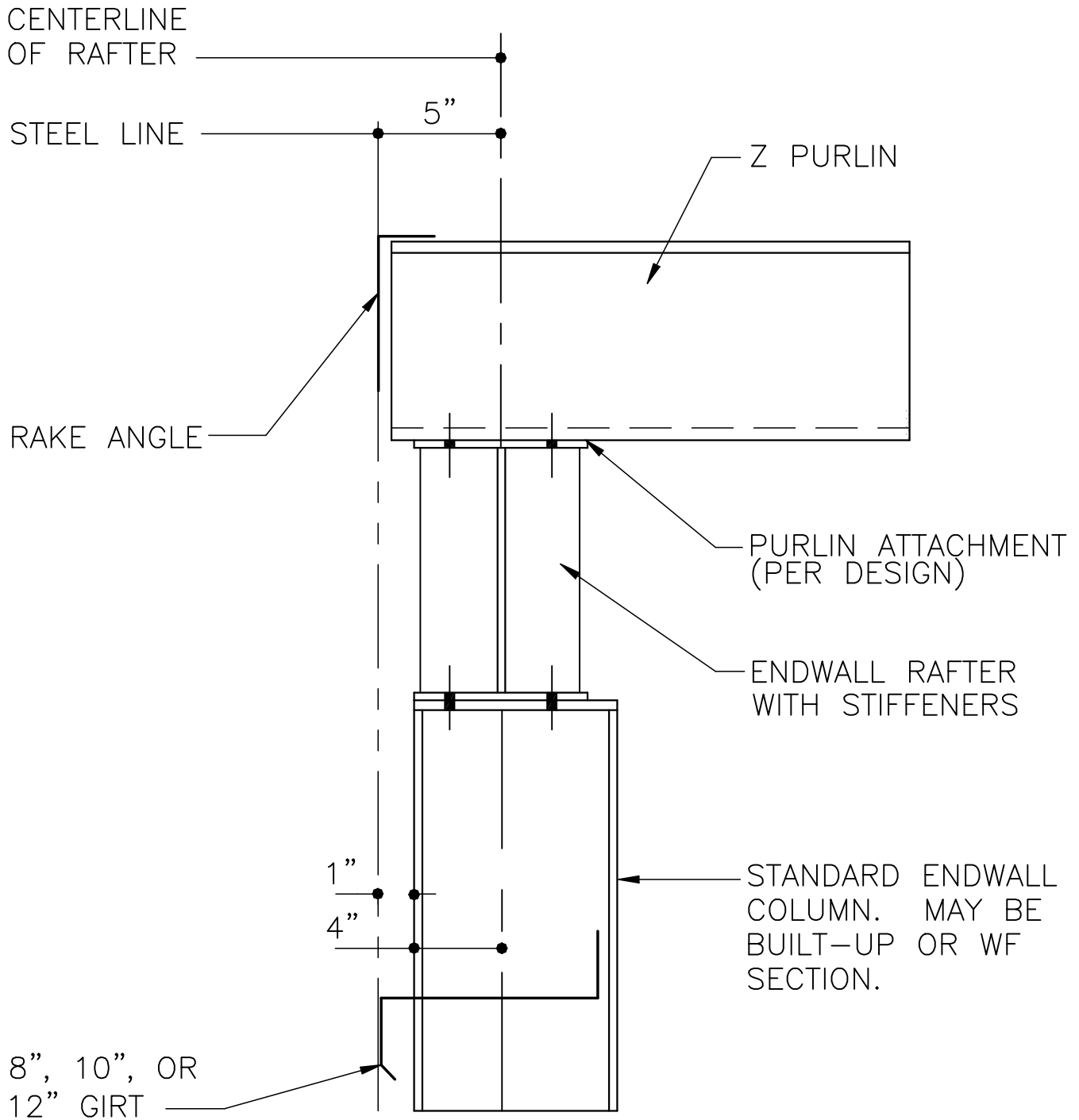
DETAIL NAME IF APPLICABLE
FD0270PE.DWG

11.1.30



PRODUCT & ENGINEERING MANUAL

FD0280PE – ENDWALL W/PURLINS (H - SECTION) – INSET



LAST REVISION
DATE: 02/09/01
BY: CDM CHK: RJF

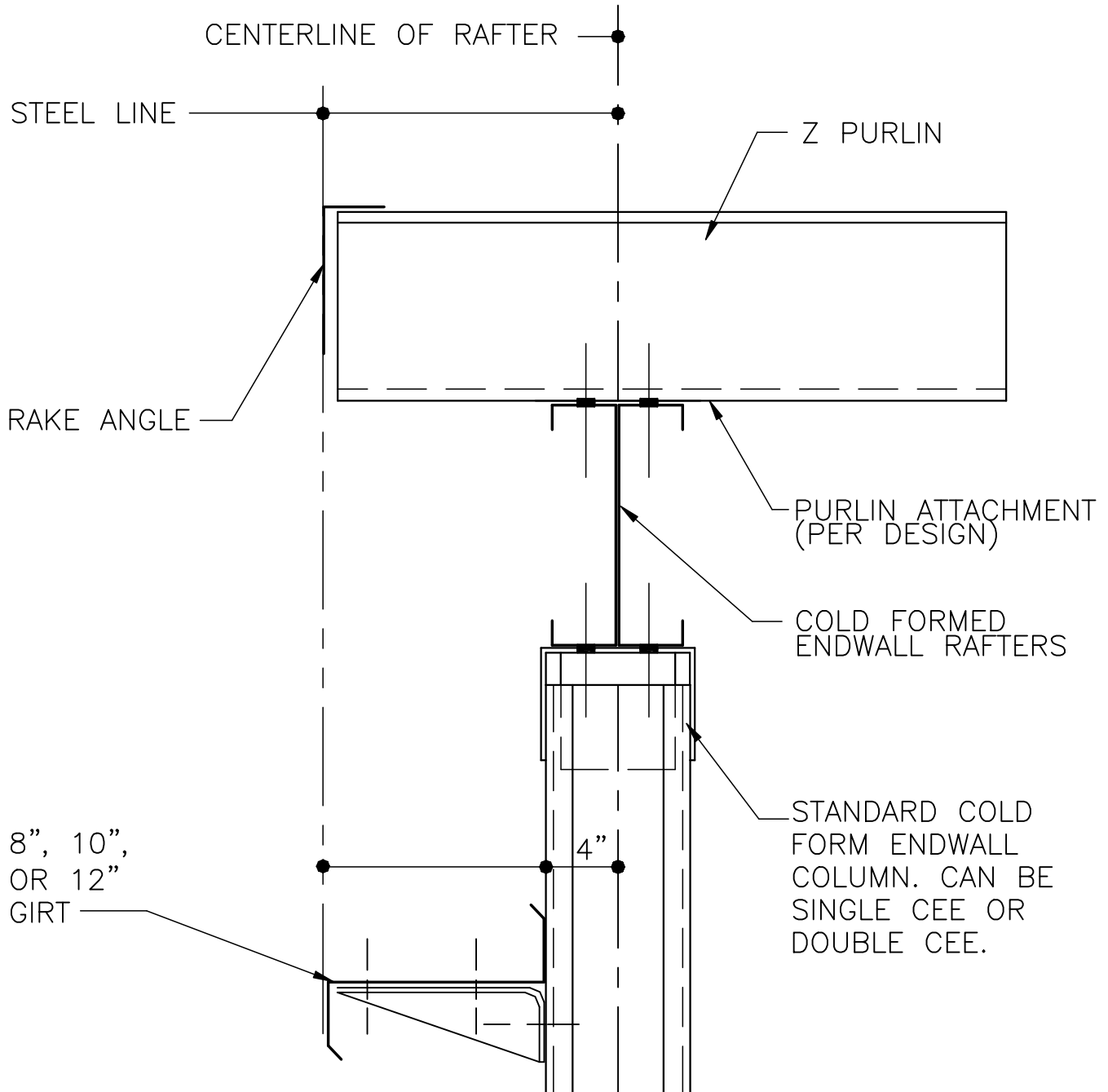
DETAIL NAME IF APPLICABLE
FD0280PE.DWG

11.1.31



PRODUCT & ENGINEERING MANUAL

FD0290PE – ENDWALL W/PURLINS (C.F. COL. & RAFTER) - BYPASS



LAST REVISION
DATE: 02/09/01
BY: CDM CHK: RJF

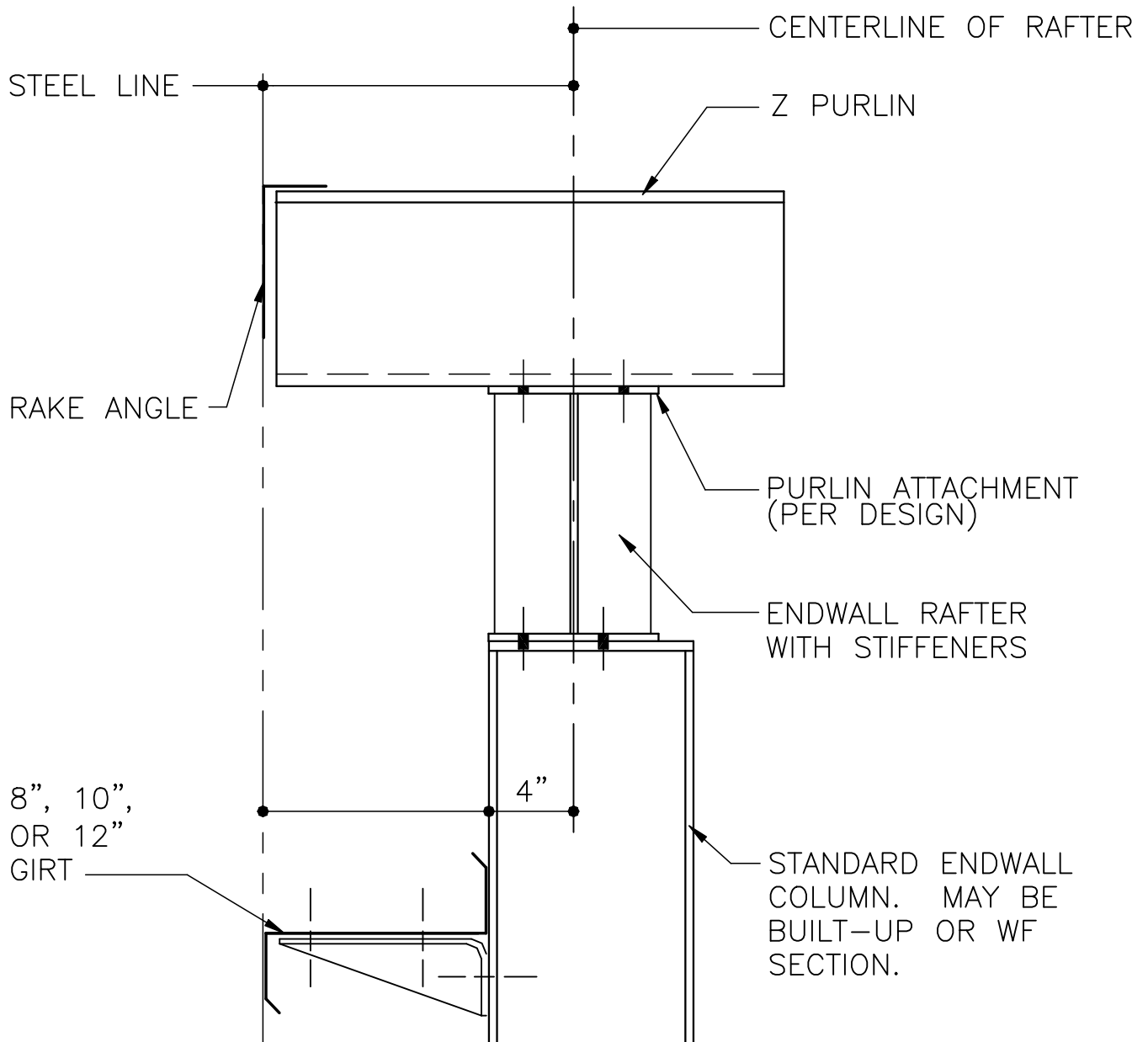
DETAIL NAME IF APPLICABLE
FD0290PE.DWG

11.1.32



PRODUCT & ENGINEERING MANUAL

FD0300PE – ENDWALL W/PURLINS (H - SECTION) - BYPASS



LAST REVISION
DATE: 02/09/01
BY: CDM CHK: RJF

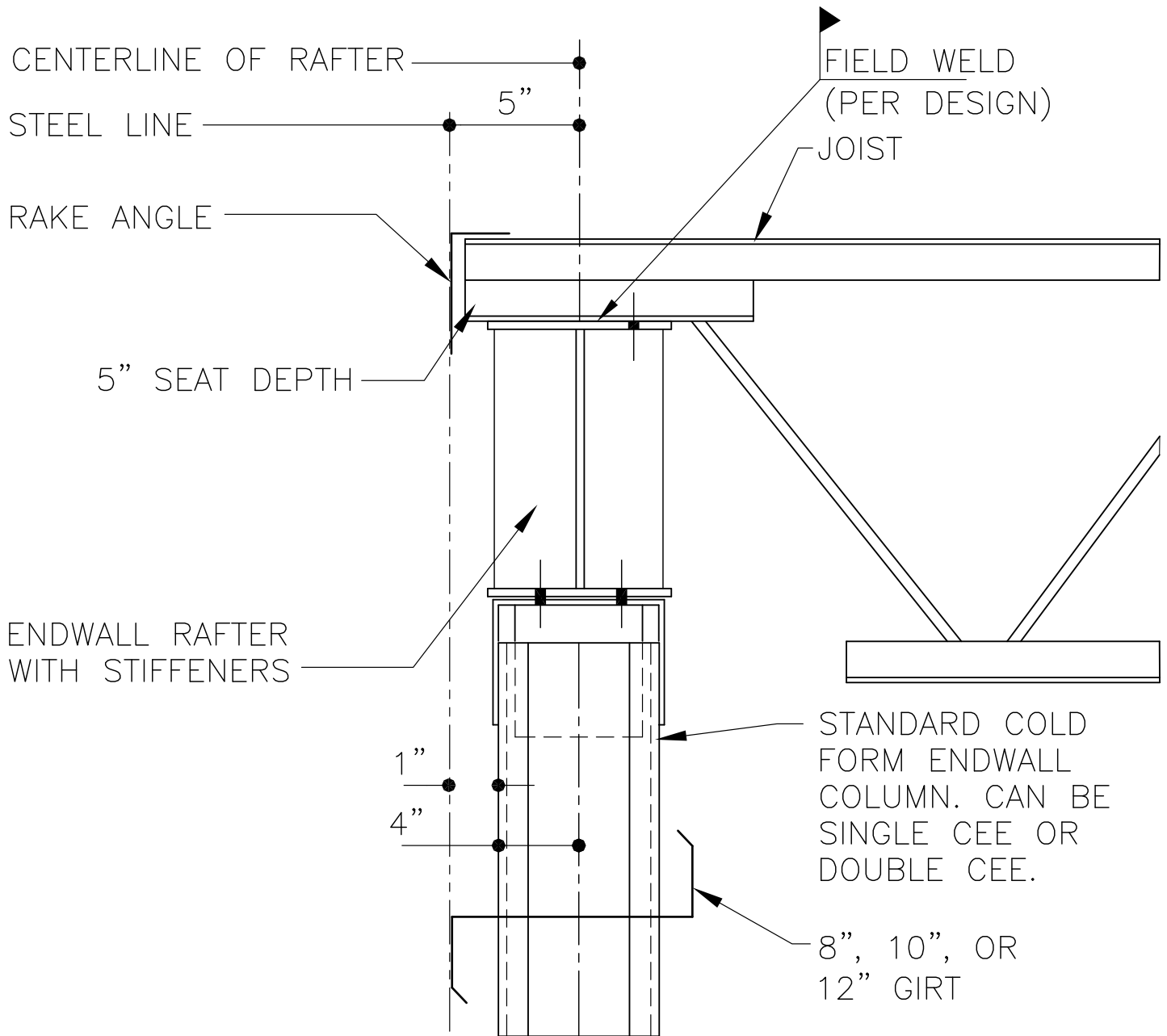
DETAIL NAME IF APPLICABLE
FD0300PE.DWG

11.1.33



PRODUCT & ENGINEERING MANUAL

FD0310PE – ENDWALL W/JOISTS (C.F. COLUMN) – INSET



LAST REVISION
DATE: 08/24/09
BY: DLC CHK: AES

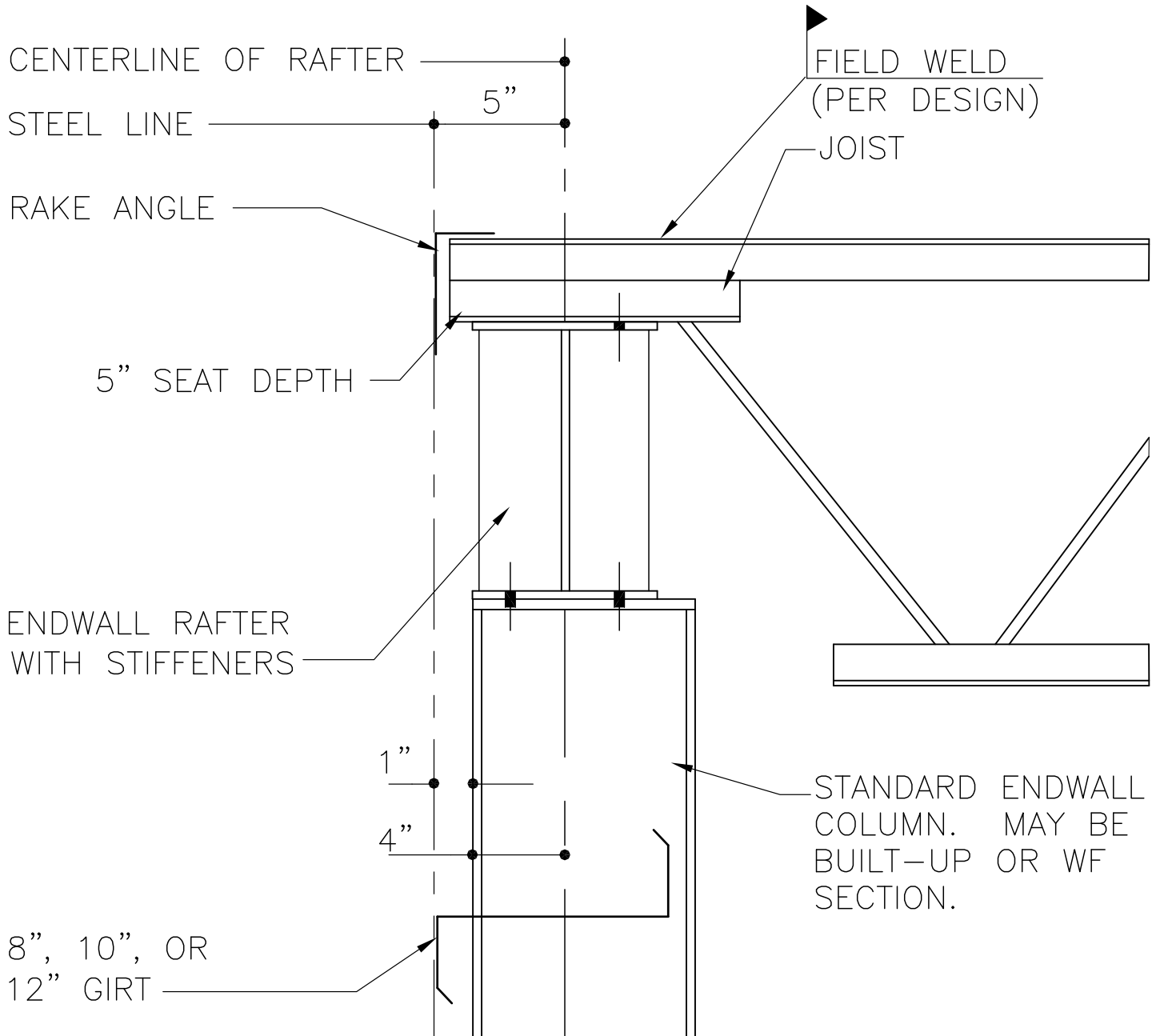
DETAIL NAME IF APPLICABLE
FD0310PE.DWG

11.1.34



PRODUCT & ENGINEERING MANUAL

FD0330PE – ENDWALL W/JOISTS (H - SECTION) – INSET



LAST REVISION
DATE: 08/24/09
BY: DLC CHK: AES

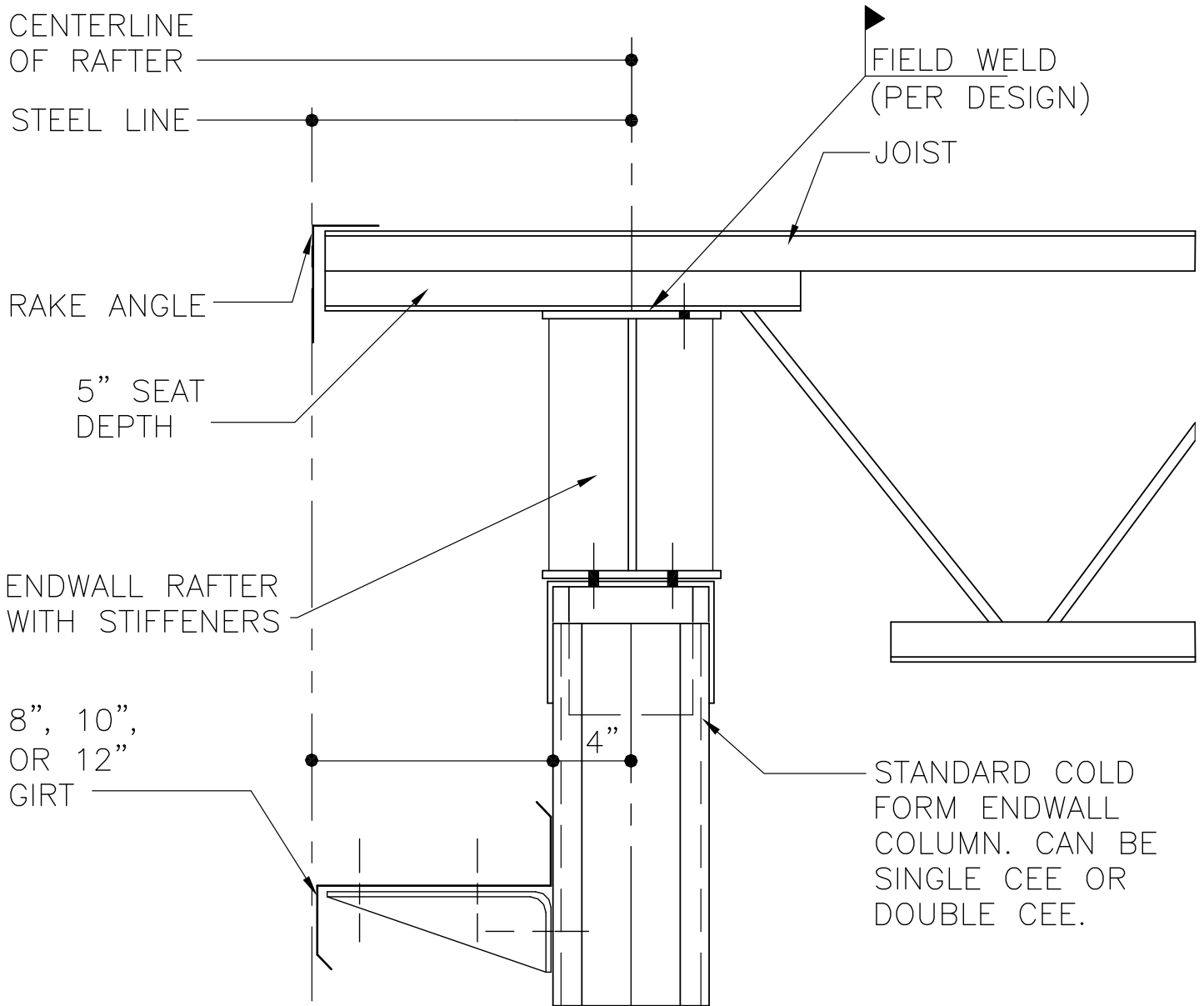
DETAIL NAME IF APPLICABLE
FD0330PE.DWG

11.1.35



PRODUCT & ENGINEERING MANUAL

FD0340PE – ENDWALL W/JOISTS (C.F. COLUMN) - BYPASS



LAST REVISION
DATE: 08/24/09
BY: DLC CHK: AES

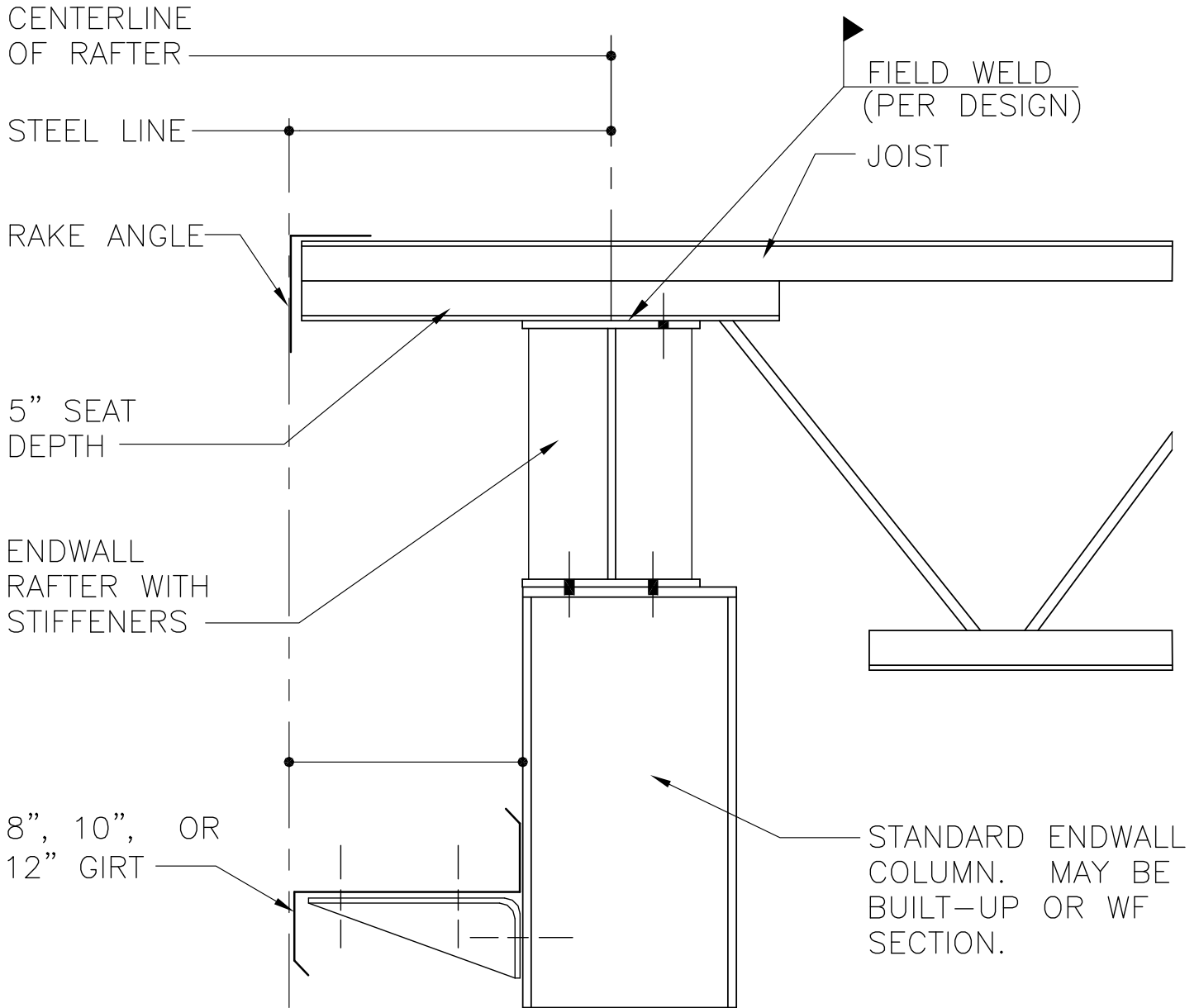
DETAIL NAME IF APPLICABLE
FD0340PE.DWG

11.1.36



PRODUCT & ENGINEERING MANUAL

FD0350PE – ENDWALL W/JOISTS (H - SECTION) - BYPASS



LAST REVISION
DATE: 08/24/09
BY: DLC CHK: AES

DETAIL NAME IF APPLICABLE
FD0350PE.DWG

11.1.37

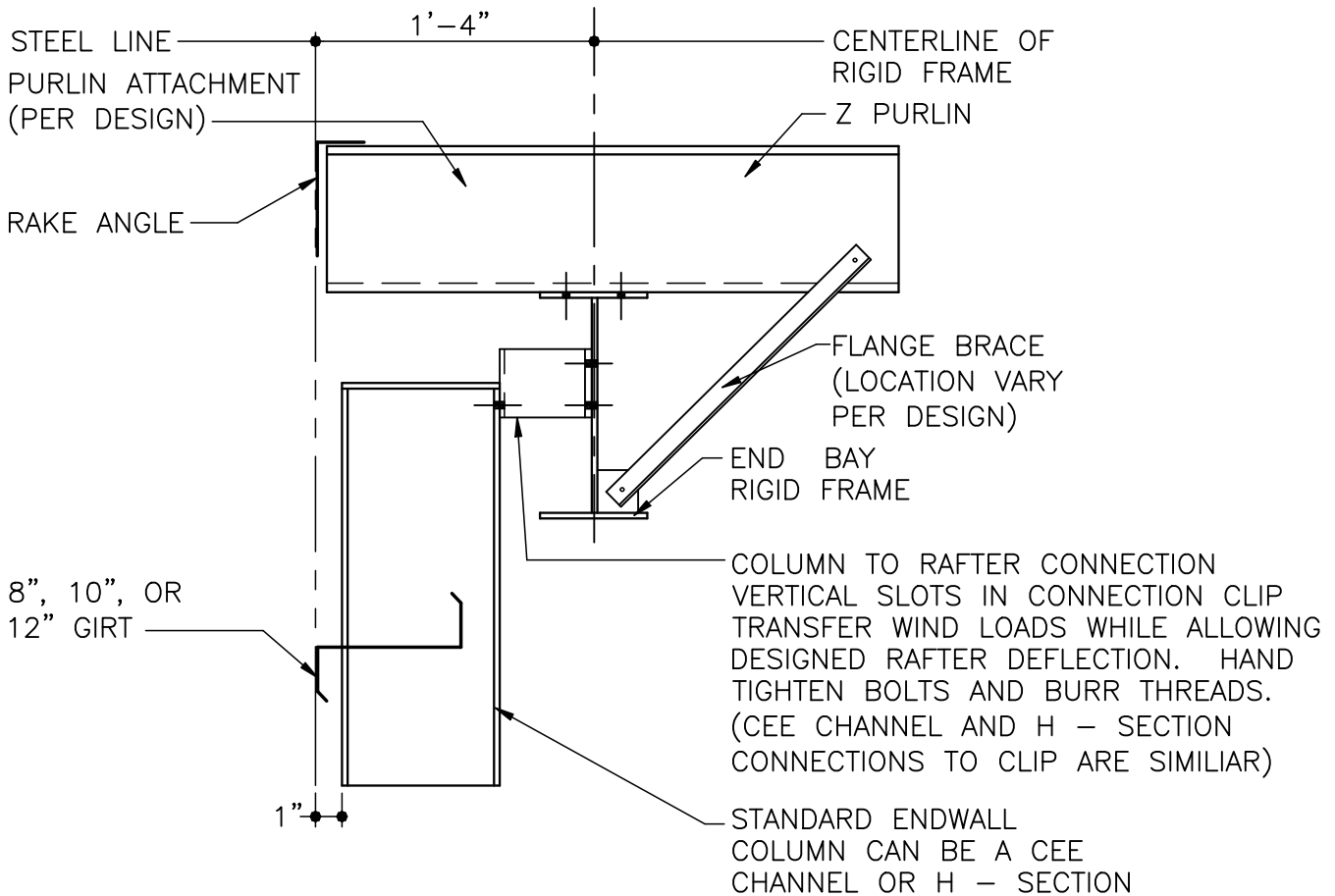


PRODUCT & ENGINEERING MANUAL

RIGID FRAME ENDWALL

FD0360PE – RIGID FRAME ENDWALL W/PURLINS – INSET

NOTE: AT EXPANDABLE ENDWALLS WHERE RAFTER FLANGE BRACING IS REQUIRED AT BOTH SIDES OF THE RAFTER, (AT THE TIME OF EXPANSION) THOSE FLANGE BRACES ARE INCLUDED & MUST BE INSTALLED AT THE TIME OF THE EXPANSION,



LAST REVISION
 DATE: 02/09/01
 BY: CDM CHK: RJF

DETAIL NAME IF APPLICABLE
FD0360PE.DWG

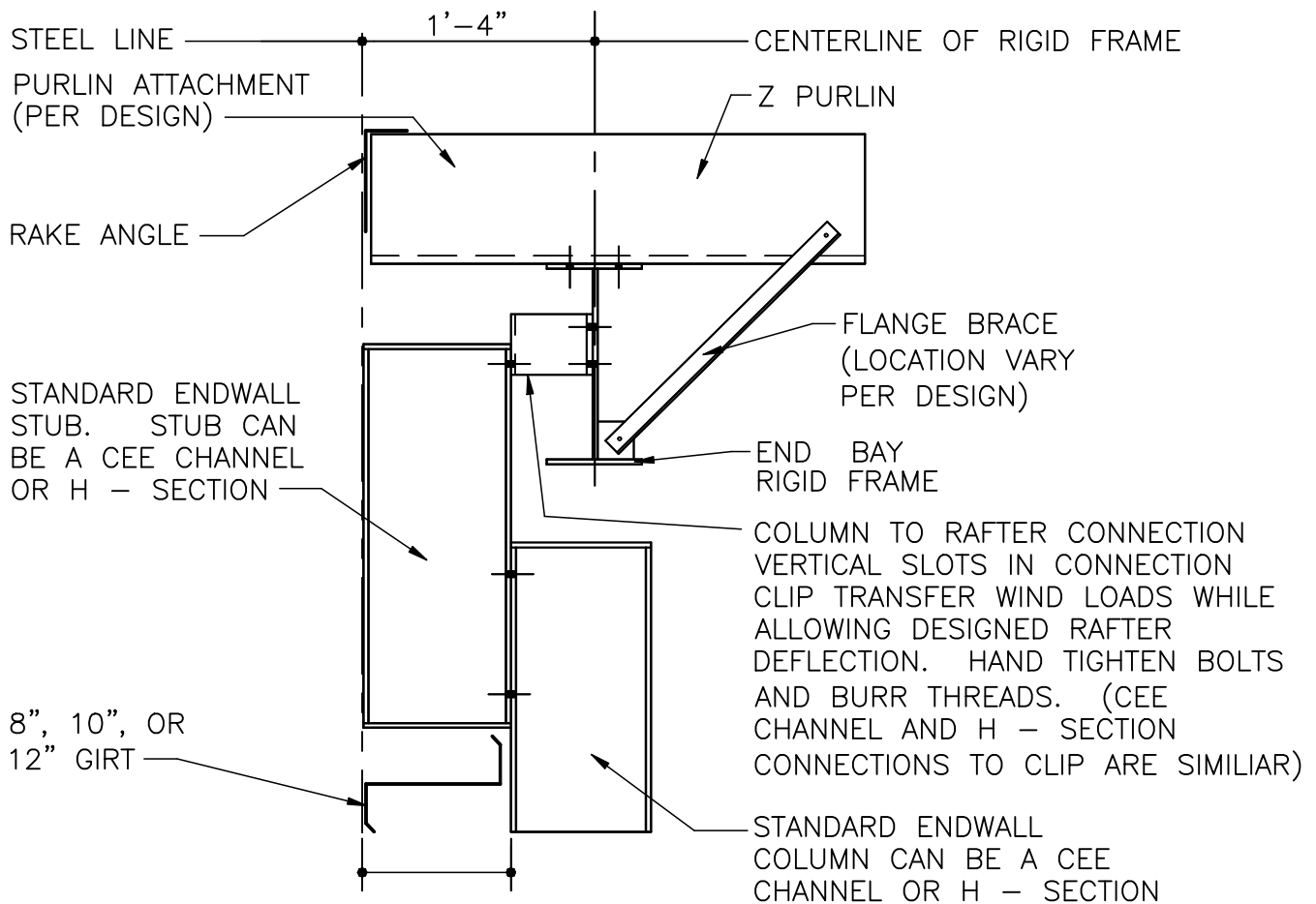
11.1.38



PRODUCT & ENGINEERING MANUAL

FD0370PE – RIGID FRAME ENDWALL W/PURLINS - BYPASS

NOTE: AT EXPANDABLE ENDWALLS WHERE RAFTER FLANGE BRACING IS REQUIRED AT BOTH SIDES OF THE RAFTER, (AT THE TIME OF EXPANSION) THOSE FLANGE BRACES ARE INCLUDED & MUST BE INSTALLED AT THE TIME OF THE EXPANSION,



LAST REVISION
 DATE: 02/09/01
 BY: CDM CHK: RJF

DETAIL NAME IF APPLICABLE
FD0370PE.DWG

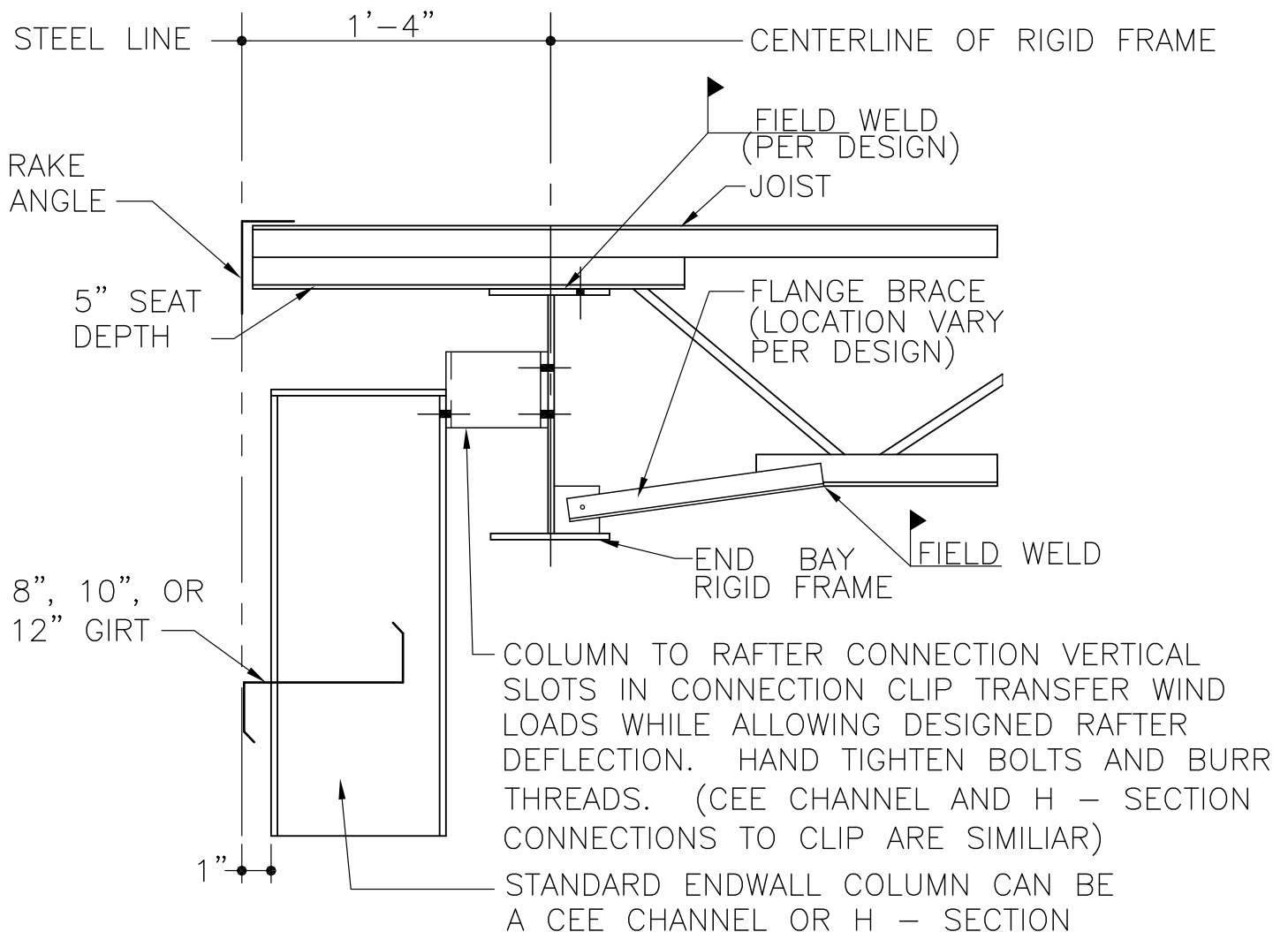
11.1.39



PRODUCT & ENGINEERING MANUAL

FD0380PE – RIGID FRAME ENDWALL W/JOISTS – INSET

NOTE: AT EXPANDABLE ENDWALLS WHERE RAFTER FLANGE BRACING IS REQUIRED AT BOTH SIDES OF THE RAFTER, (AT THE TIME OF EXPANSION) THOSE FLANGE BRACES ARE INCLUDED & MUST BE INSTALLED AT THE TIME OF THE EXPANSION,



LAST REVISION
 DATE: 08/24/09
 BY: DLC CHK: AES

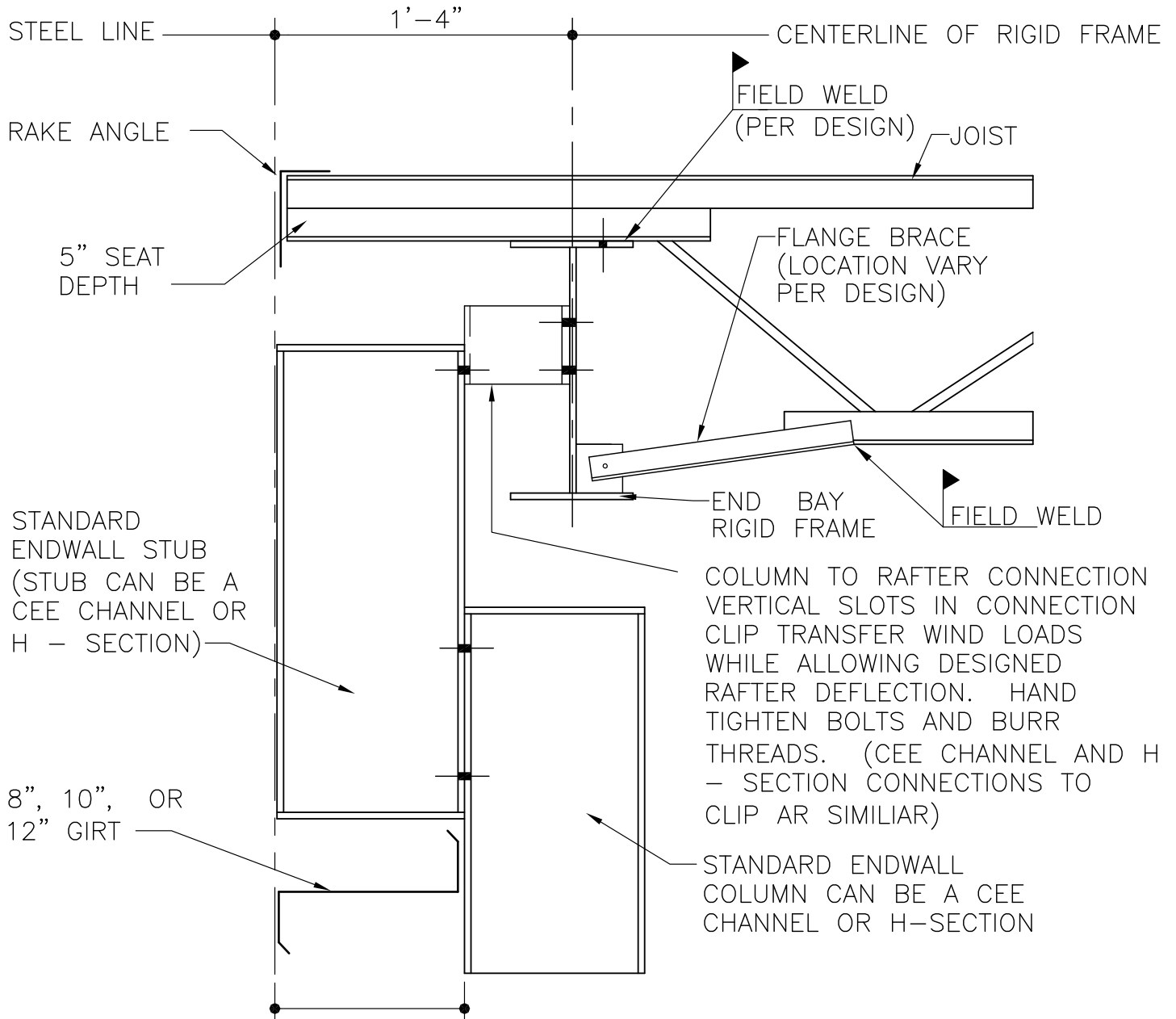
DETAIL NAME IF APPLICABLE
FD0380PE.DWG

11.1.40



PRODUCT & ENGINEERING MANUAL

FD0390PE – RIGID FRAME ENDWALL W/JOISTS - BYPASS



LAST REVISION
DATE: 08/24/09
BY: DLC CHK: AES

DETAIL NAME IF APPLICABLE
FD0390PE.DWG

11.1.41