



PRODUCT & ENGINEERING MANUAL

TABLE OF CONTENTS

Refer to Section 4.14 for standard Spandrel Beam Details

A: SIDEWALL STRUCTURAL CONDITIONS	3
LA0010 – Non-Parapet, Purlin Bldg., Eave Strut on top of Masonry	3
LA0020 – Non-Parapet, Purlin Bldg., Eave Strut inside of Masonry	4
LA0030 – Non-Parapet, Joist Bldg., Eave Strut on top of Masonry	5
LA0040 – Non-Parapet, Joist Bldg., Eave Strut on top of Masonry	6
LA0050 – Parapet, Purlin Bldg.....	7
LA0060 – Parapet, Joist Bldg.	8
B: ENDWALL STRUCTURAL CONDITIONS	9
LB0010 – Non-Parapet, Purlin Bldg.....	9
LB0020 – Non-Parapet, Joist Bldg.....	10
LB0030 – Parapet, Purlin Bldg.....	11
LB0040 – Parapet, Joist Bldg.	12
C: SIDEWALL SHEETING CONDITIONS	13
LC6010 – Non-Parapet, Joist Bldg., CFR by NBS, Eave Strut on top of Masonry	13
LC6020 – Non-Parapet, Purlin Bldg., CFR by NBS, Eave Strut inside of Masonry	14
LC6030 – Non-Parapet, Purlin Bldg., Roof not by NBS, Eave Strut on top of Masonry	15
LC6040 – Non-Parapet, Purlin Bldg., Roof not by NBS, Eave Strut on top of Masonry	16
LC6050 – Parapet, Purlin Bldg., CFR by NBS.....	17
LC6060 – Parapet, Purlin Bldg., Roof not by NBS.....	18
LC6070 – Parapet, Joist Bldg., CFR by NBS.....	19
LC6080 – Parapet, Joist Bldg., Roof not by NBS	20
D: ENDWALL SHEETING CONDITIONS	21
LD6010 – Non-Parapet, Purlin Bldg., CFR by NBS	21
LD6020 – Non-Parapet, Joist Bldg., CFR by NBS	22
LD6030 – Non-Parapet, Purlin Bldg., Roof not by NBS.....	23
LD6040 – Non-Parapet, Joist Bldg., Roof not by NBS.....	24
LD6050 – Parapet, Purlin Bldg., CFR by NBS.....	25
LD6060 – Parapet, Joist Bldg., CFR by NBS.....	26



PRODUCT & ENGINEERING MANUAL

LD6070 – Parapet, Purlin Bldg., Roof not by NBS.....	27
LD6080 – Parapet, Joist Bldg., Roof not by NBS	28
E. SPANDREL BEAM CONNECTION DETAILS.....	29
LE0010 – Spandrel Beam to Column Connection	29
LE0020 – Spandrel Beam to Wall Connection (With Expansion Anchors).....	30
LE0030 – Spandrel Beam to Wall Connection (Welded to Embedded Plate)	31
LE0040 – Spandrel Joist to Column Connection	32
LE0050 – Spandrel Joist to Wall Connection (Welded to Embedded Plate)	33
F: SPANDREL GIRT ATTACHMENT DETAILS	34
LF0010 – Partial Height Masonry (Hot-Rolled Cee Girt on top of Wall).....	34
G: SHEAR WALL DETAILS.....	35
LG0010 – Partial Height Masonry (Cold-Formed Cee Girt on top of Wall)	35
LG0020 – Partial Height Masonry (Cold-Formed Zee Girt on top of Wall)	36

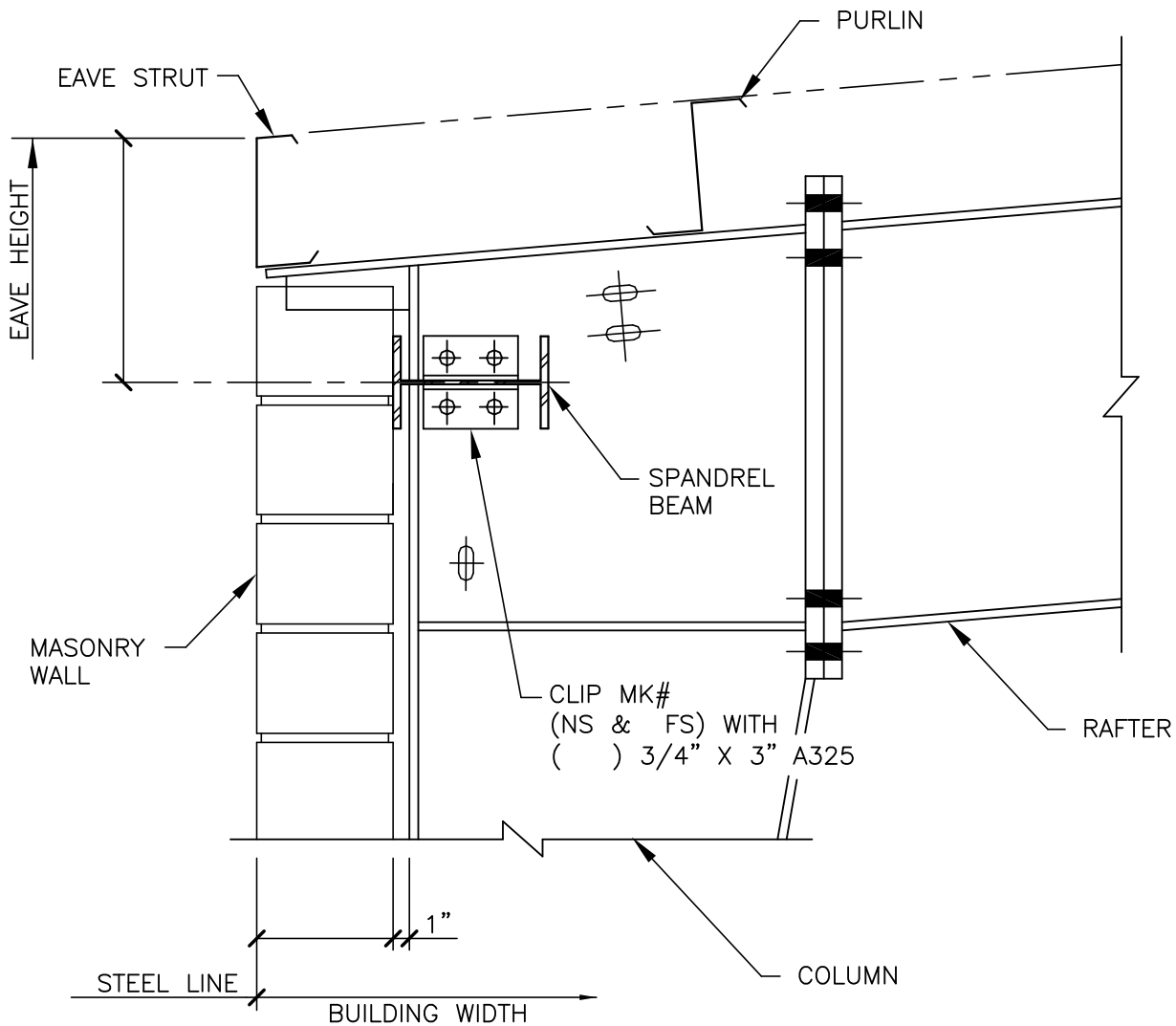
Refer to Section 4.14 for standard Spandrel Beam Details



PRODUCT & ENGINEERING MANUAL

A: SIDEWALL STRUCTURAL CONDITIONS

LA0010 – NON-PARAPET, PURLIN BLDG., EAVE STRUT ON TOP OF MASONRY



NON-LOAD BEARING FULL HGT. MASONRY

NON-PARAPET: PURLIN ROOF, EAVE STRUT ON TOP OF MASONRY

LA0010

LAST REVISION
DATE: 02/16/15
BY: AK CHK: EGB

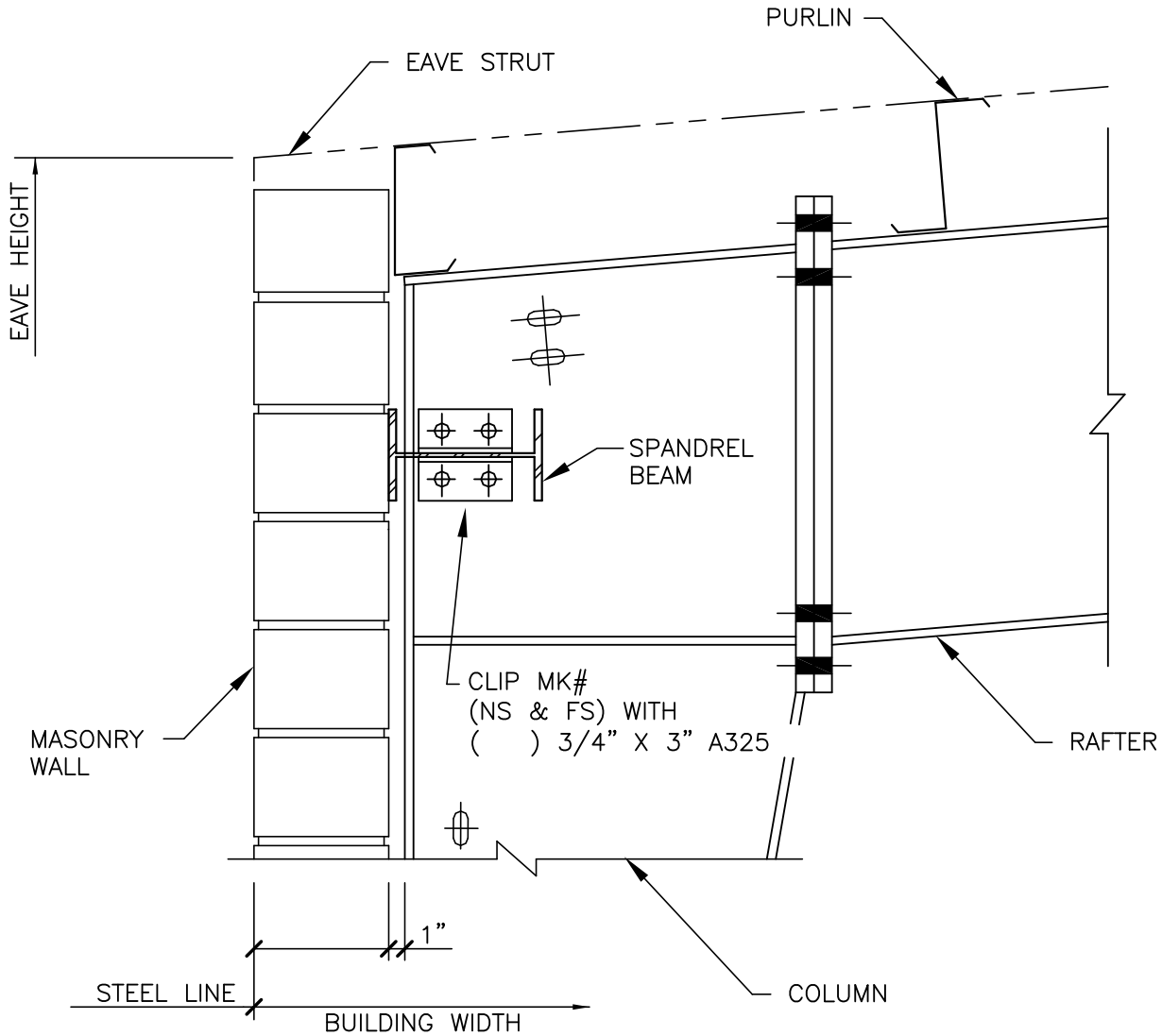
DETAIL NAME IF APPLICABLE
LA0010.DWG

4.10.3



PRODUCT & ENGINEERING MANUAL

LA0020 – NON-PARAPET, PURLIN BLDG., EAVE STRUT INSIDE OF MASONRY



NON-LOAD BEARING FULL HGT. MASONRY

NON-PARAPET: PURLIN ROOF, EAVE STRUT INSIDE OF MASONRY

LA0020

LAST REVISION
DATE: 02/16/15
BY: AK CHK: EGB

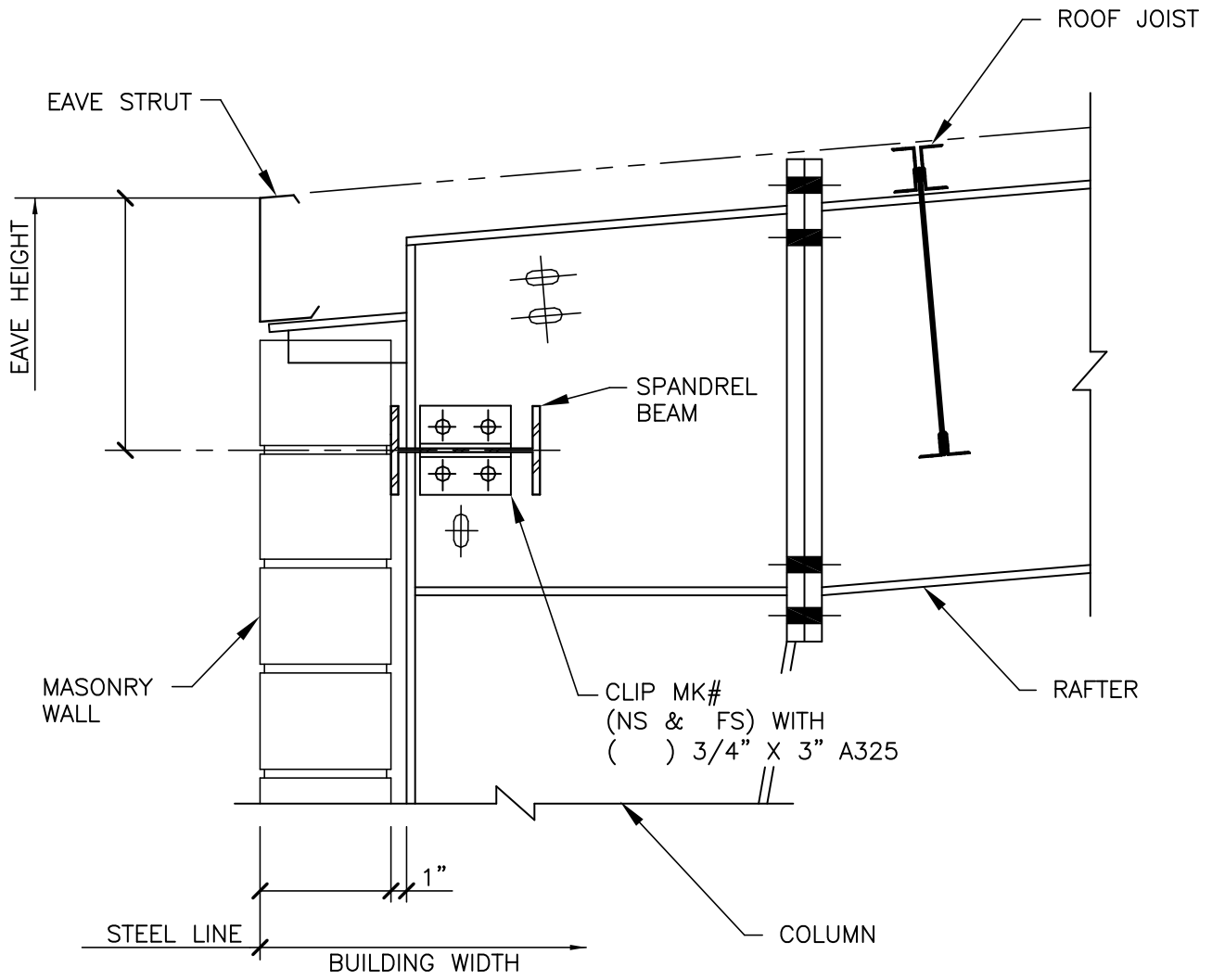
DETAIL NAME IF APPLICABLE
LA0020.DWG

4.10.4



PRODUCT & ENGINEERING MANUAL

LA0030 – NON-PARAPET, JOIST BLDG., EAVE STRUT ON TOP OF MASONRY



NON-LOAD BEARING FULL HGT. MASONRY

NON-PARAPET: JOIST ROOF, EAVE STRUT ON TOP OF MASONRY

LA0030

LAST REVISION
DATE: 02/16/15
BY: AK CHK: EGB

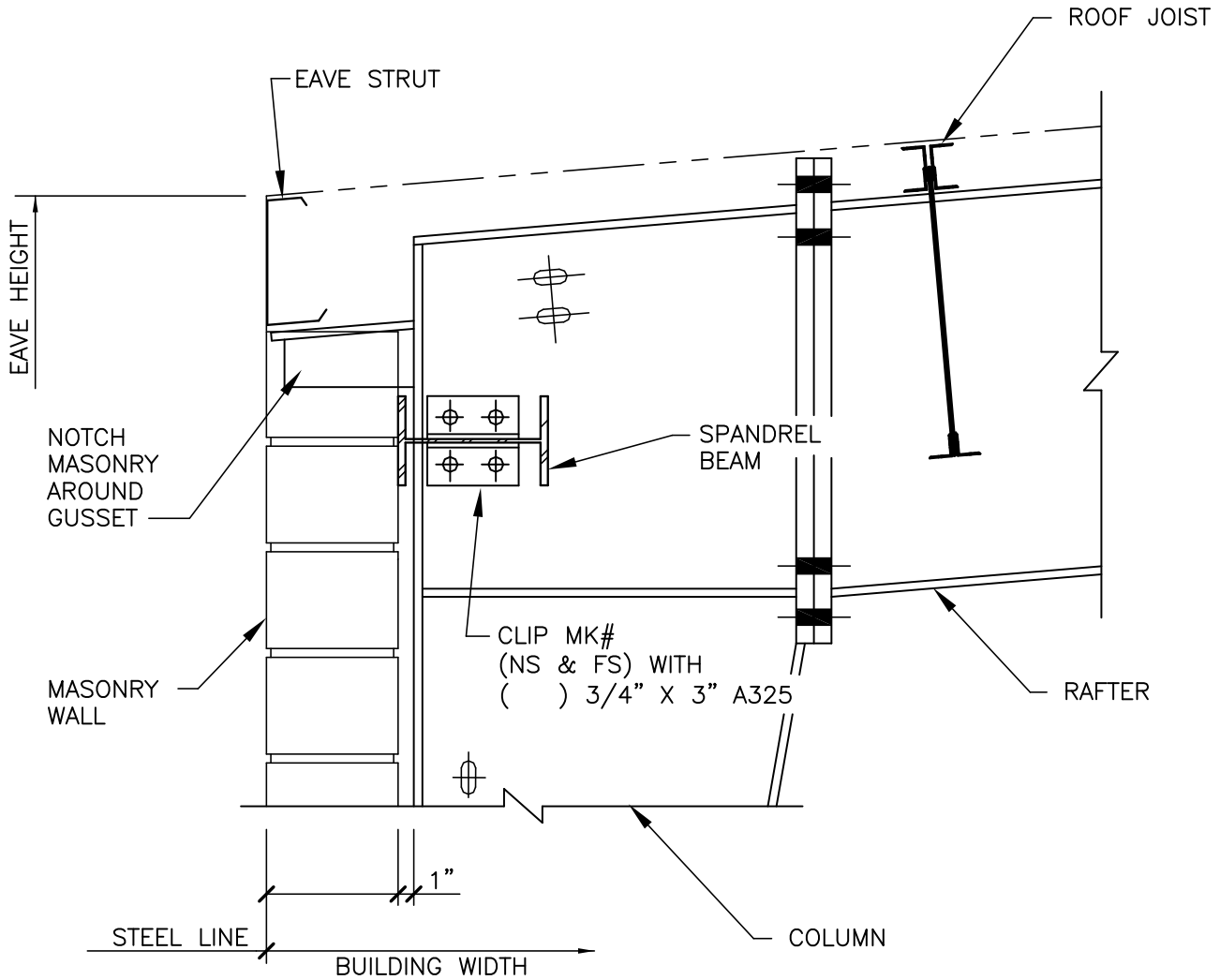
DETAIL NAME IF APPLICABLE
LA0030.DWG

4.10.5



PRODUCT & ENGINEERING MANUAL

LA0040 – NON-PARAPET, JOIST BLDG., EAVE STRUT ON TOP OF MASONRY



NON-LOAD BEARING FULL HGT. MASONRY

NON-PARAPET: JOIST ROOF, EAVE STRUT INSIDE OF MASONRY

LA0040

LAST REVISION
DATE: 02/16/15
BY: AK CHK: EGB

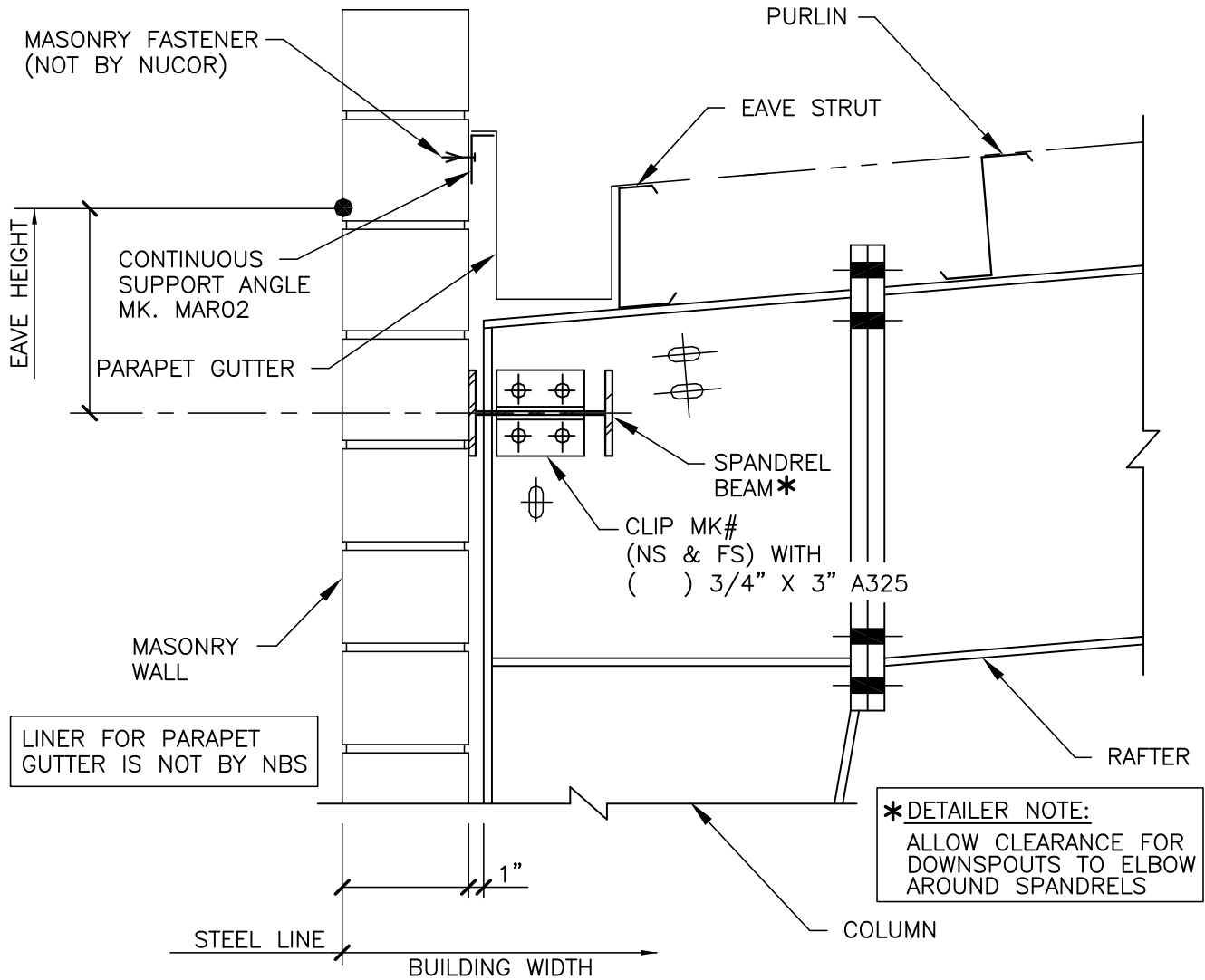
DETAIL NAME IF APPLICABLE
LA0040.DWG

4.10.6



PRODUCT & ENGINEERING MANUAL

LA0050 – PARAPET, PURLIN BLDG.



NON-LOAD BEARING FULL HGT. MASONRY

PARAPET: PURLIN ROOF

LA0050

LAST REVISION
 DATE: 02/16/15
 BY: AK CHK: EGB

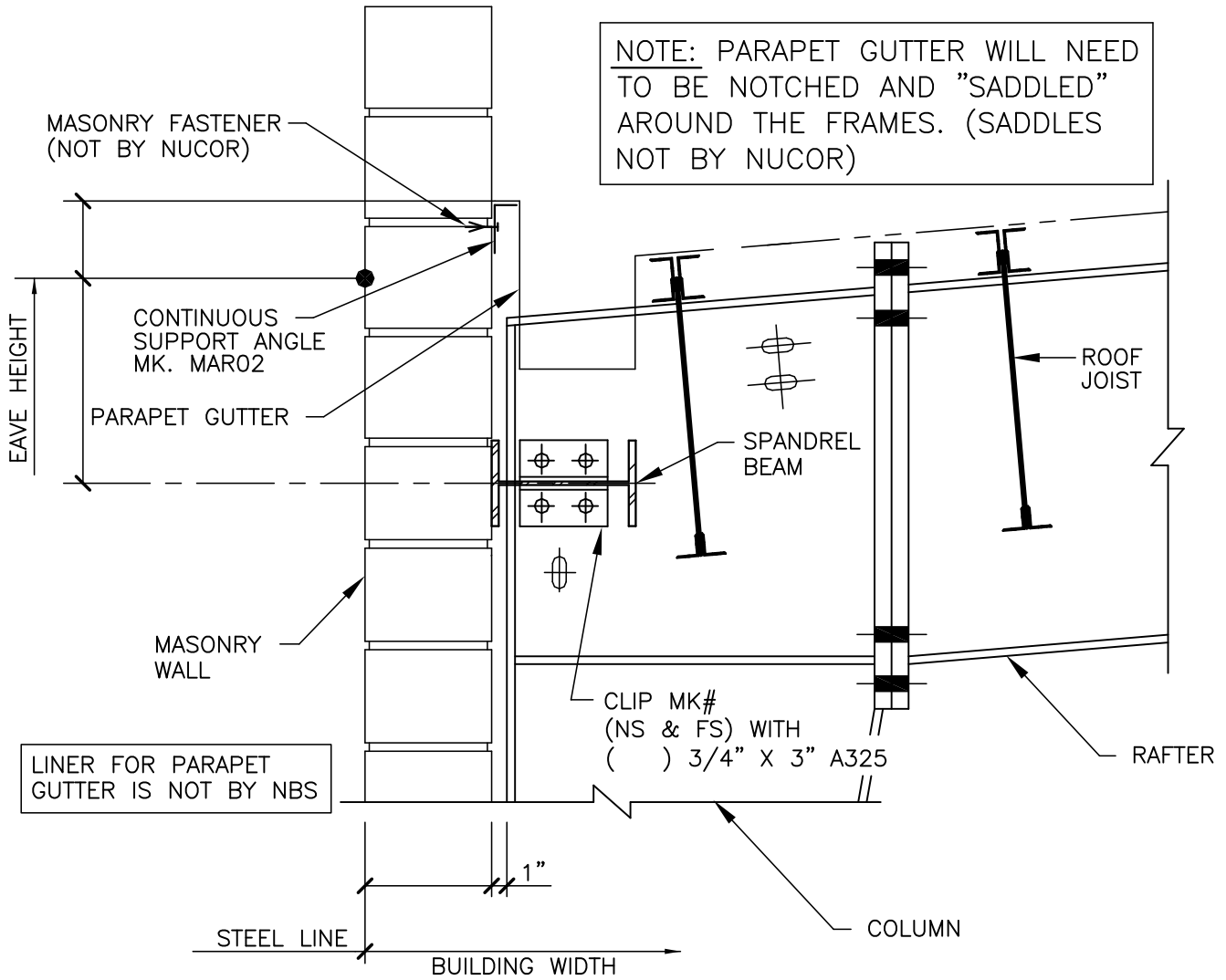
DETAIL NAME IF APPLICABLE
LA0050.DWG

4.10.7



PRODUCT & ENGINEERING MANUAL

LA0060 – PARAPET, JOIST BLDG.



NON-LOAD BEARING FULL HGT. MASONRY

PARAPET: JOIST ROOF

LA0060

LAST REVISION
DATE: 02/16/15
BY: AK CHK: EGB

DETAIL NAME IF APPLICABLE
LA0060.DWG

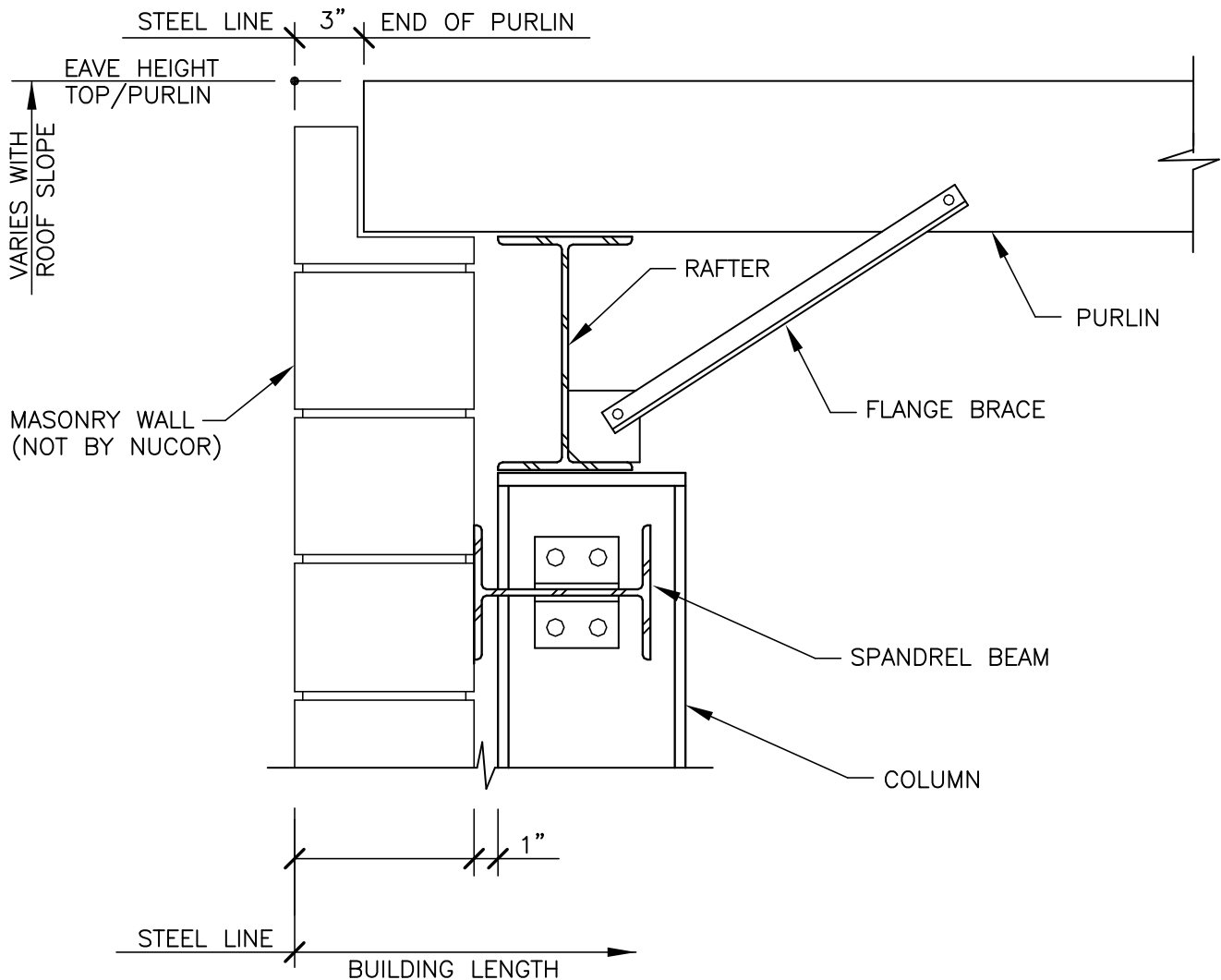
4.10.8



PRODUCT & ENGINEERING MANUAL

B: ENDWALL STRUCTURAL CONDITIONS

LB0010 – NON-PARAPET, PURLIN BLDG.



NON-LOAD BEARING MASONRY WALL DETAIL

NON-PARAPET: PURLIN ROOF

LB0010

LAST REVISION
DATE: 02/16/15
BY: AK CHK: EGB

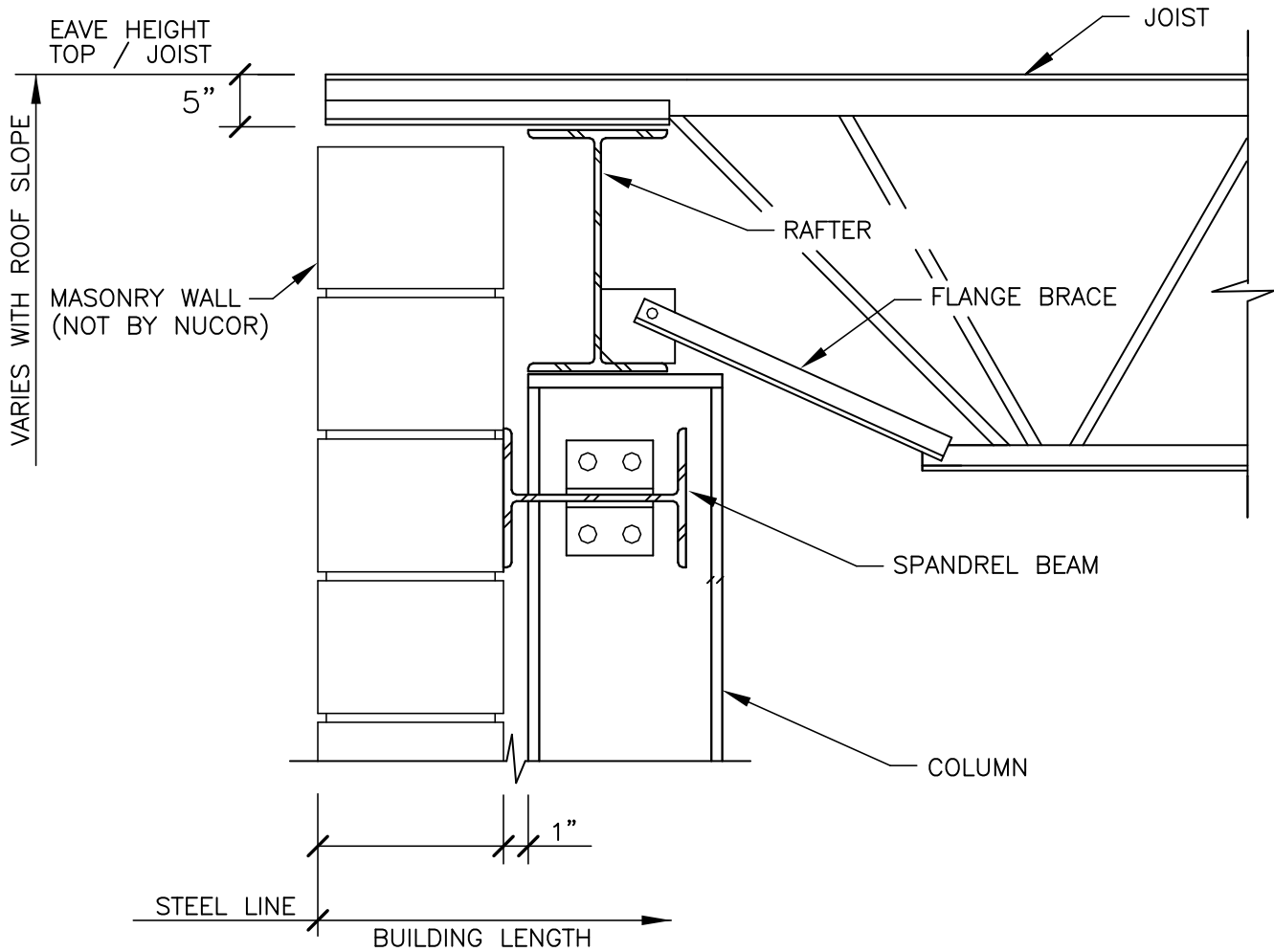
DETAIL NAME IF APPLICABLE
LB0010.DWG

4.10.9



PRODUCT & ENGINEERING MANUAL

LB0020 – NON-PARAPET, JOIST BLDG.



NON-LOAD BEARING MASONRY WALL DETAIL

NON-PARAPET: JOIST ROOF

LB0020

LAST REVISION
DATE: 02/16/15
BY: AK CHK: EGB

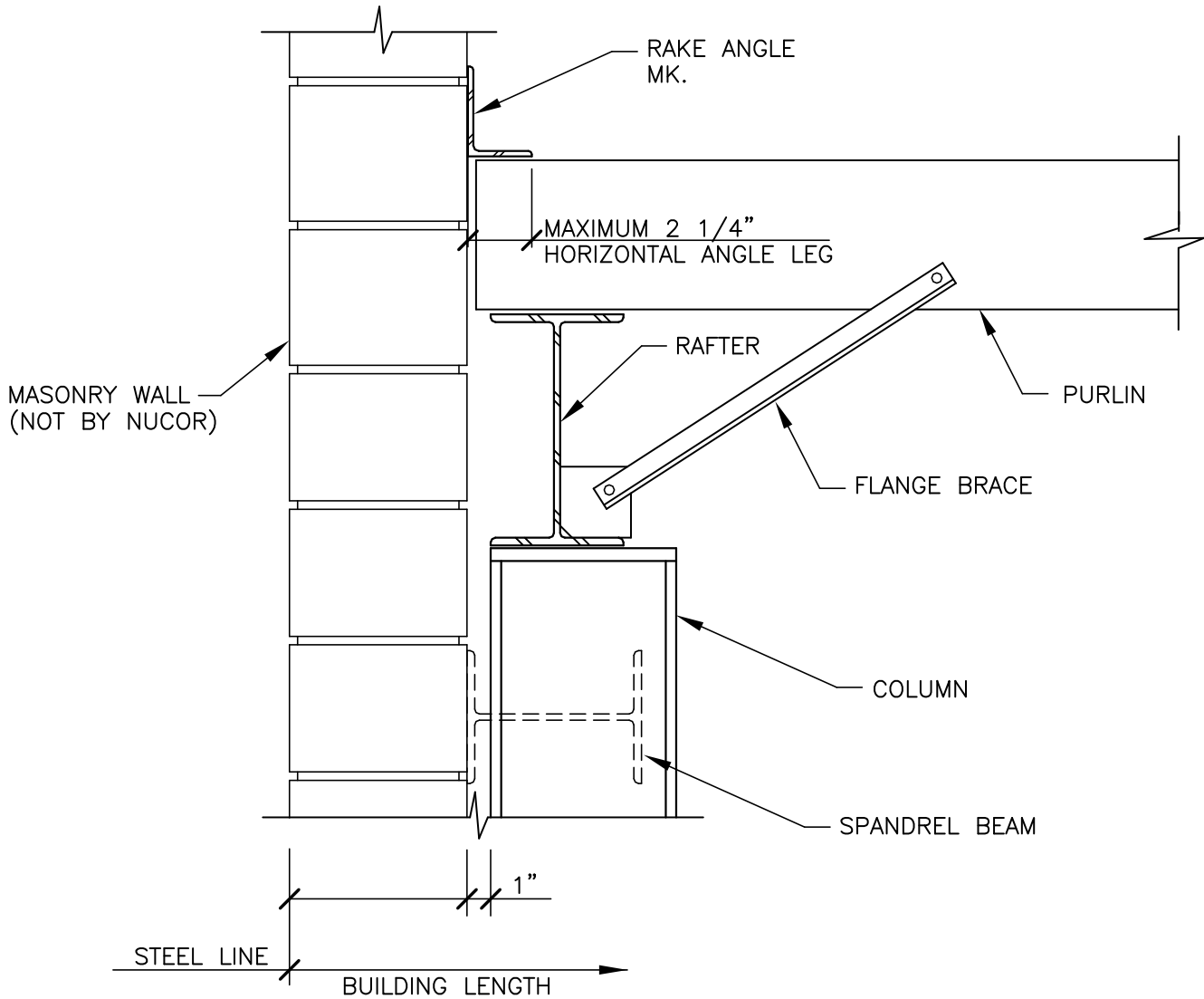
DETAIL NAME IF APPLICABLE
LB0020.DWG

4.10.10



PRODUCT & ENGINEERING MANUAL

LB0030 – PARAPET, PURLIN BLDG.



NON-LOAD BEARING MASONRY WALL DETAIL

PARAPET: PURLIN ROOF

LB0030

LAST REVISION
DATE: 02/16/15
BY: AK CHK: EGB

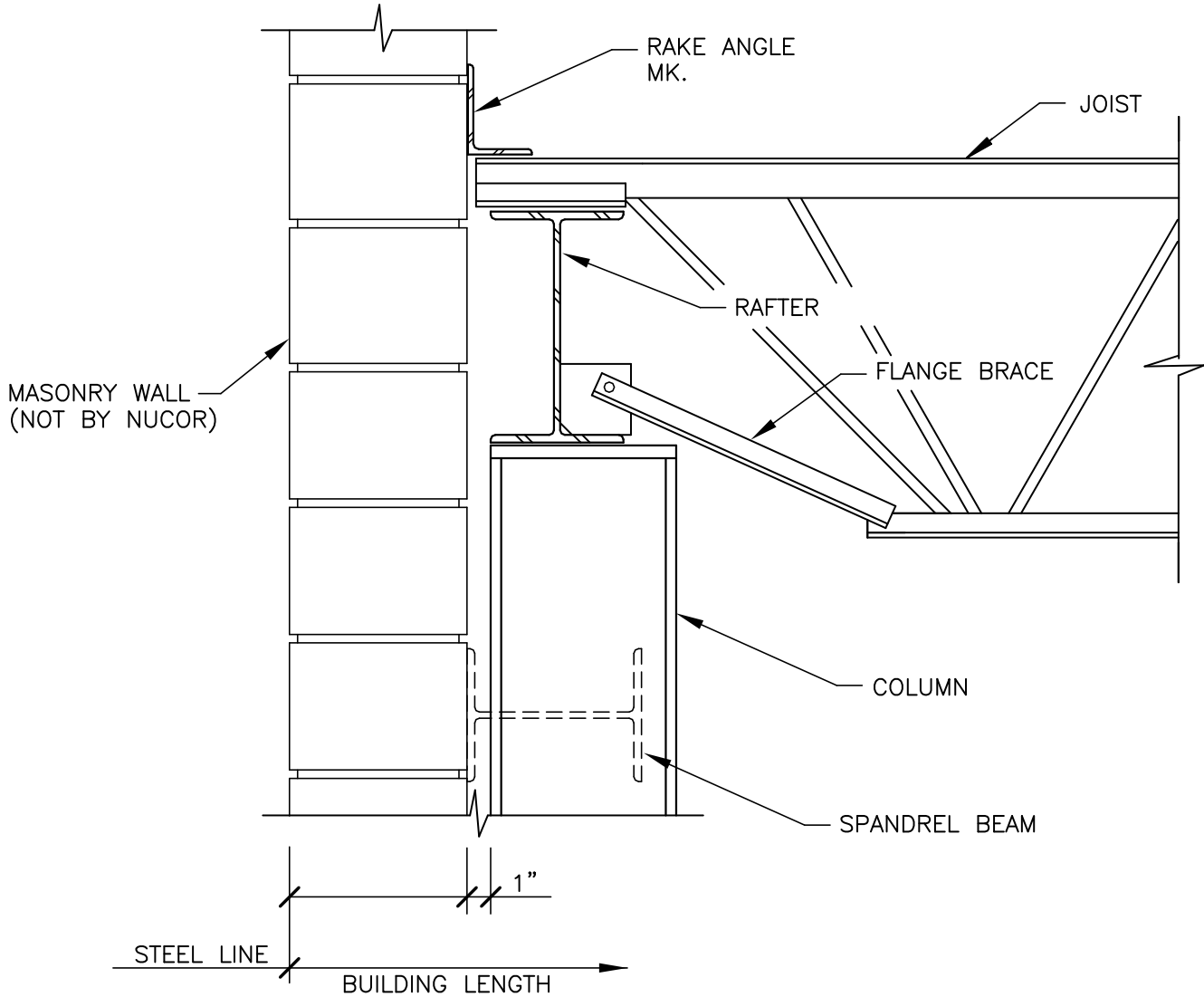
DETAIL NAME IF APPLICABLE
LB0030.DWG

4.10.11



PRODUCT & ENGINEERING MANUAL

LB0040 – PARAPET, JOIST BLDG.



NON-LOAD BEARING MASONRY WALL DETAIL

PARAPET: JOIST ROOF

LB0040

LAST REVISION
DATE: 02/16/15
BY: AK CHK: EGB

DETAIL NAME IF APPLICABLE
LB0040.DWG

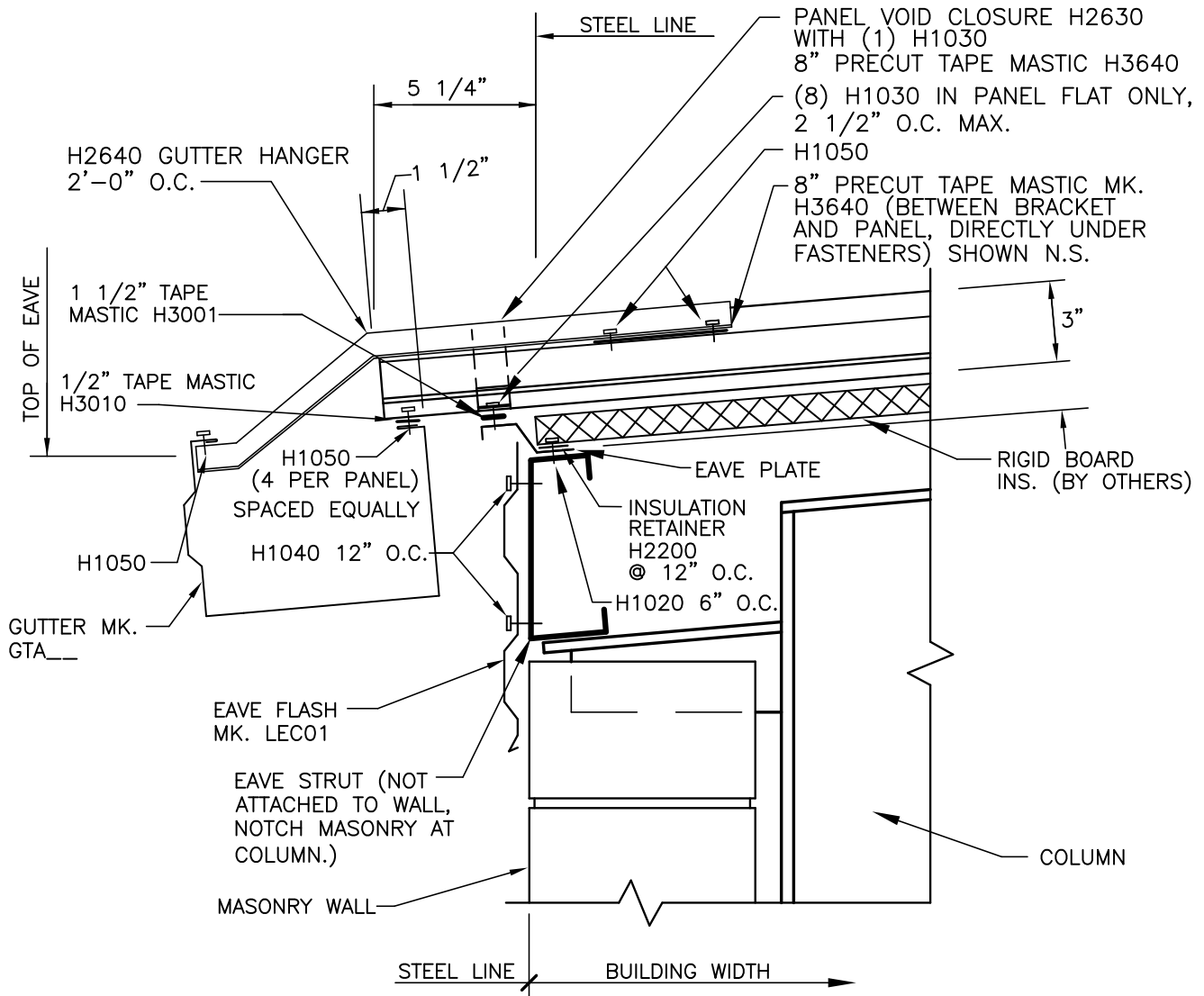
4.10.12



PRODUCT & ENGINEERING MANUAL

C: SIDEWALL SHEETING CONDITIONS

LC6010 – NON-PARAPET, JOIST BLDG., CFR BY NBS, EAVE STRUT ON TOP OF MASONRY



NON-LOAD BEARING FULL HGT. MASONRY

NON-PARAPET: CFR BY NBS, EAVE STRUT ON TOP OF MASONRY

LC6010

LAST REVISION
 DATE: 02/16/15
 BY: AK CHK: EGB

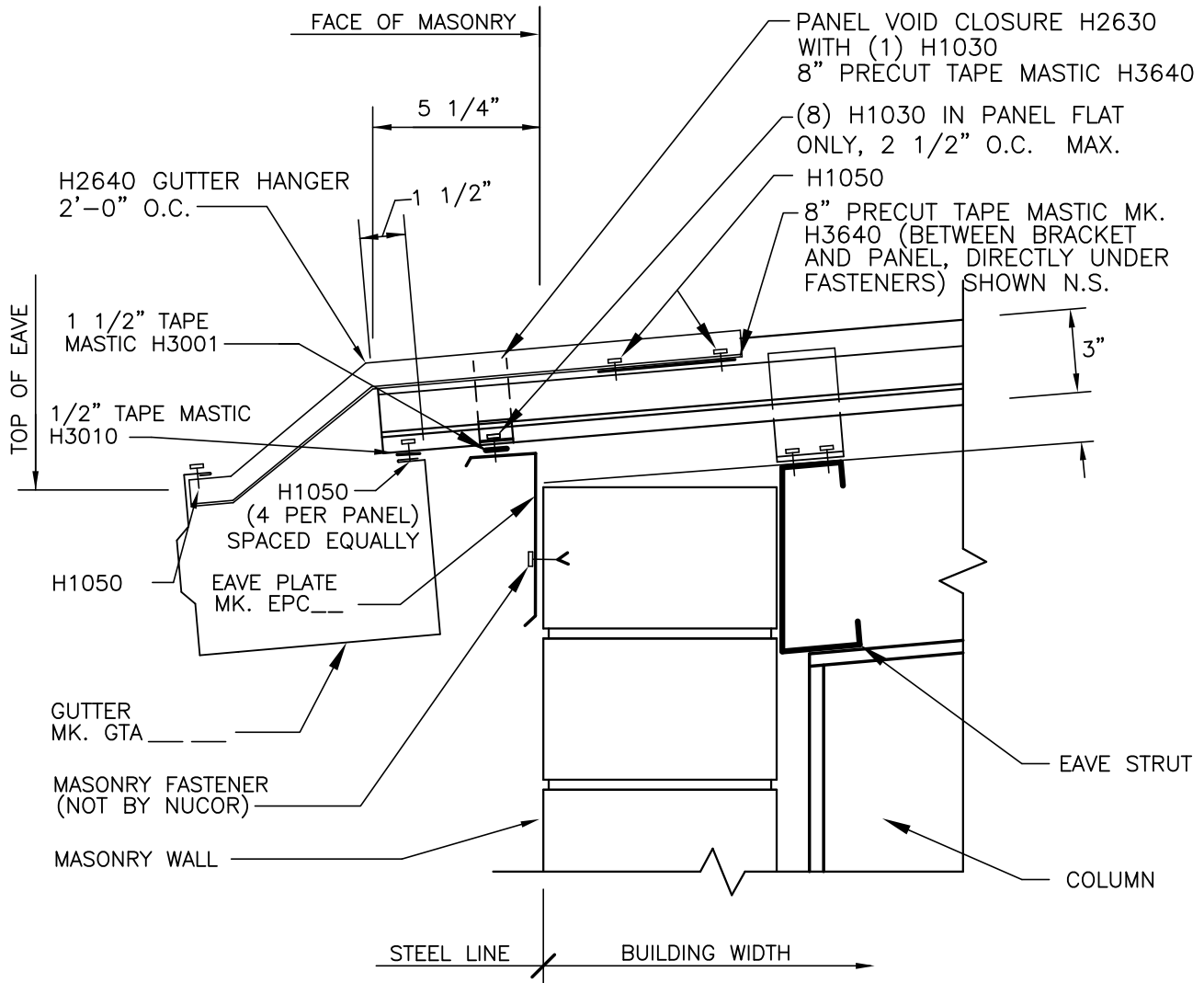
DETAIL NAME IF APPLICABLE
LC6010.DWG

4.10.13



PRODUCT & ENGINEERING MANUAL

LC6020 – NON-PARAPET, PURLIN BLDG., CFR BY NBS, EAVE STRUT INSIDE OF MASONRY



NON-LOAD BEARING FULL HGT. MASONRY

NON-PARAPET: CFR BY NBS, EAVE STRUT INSIDE OF MASONRY

LC6020

LAST REVISION
 DATE: 02/16/15
 BY: AK CHK: EGB

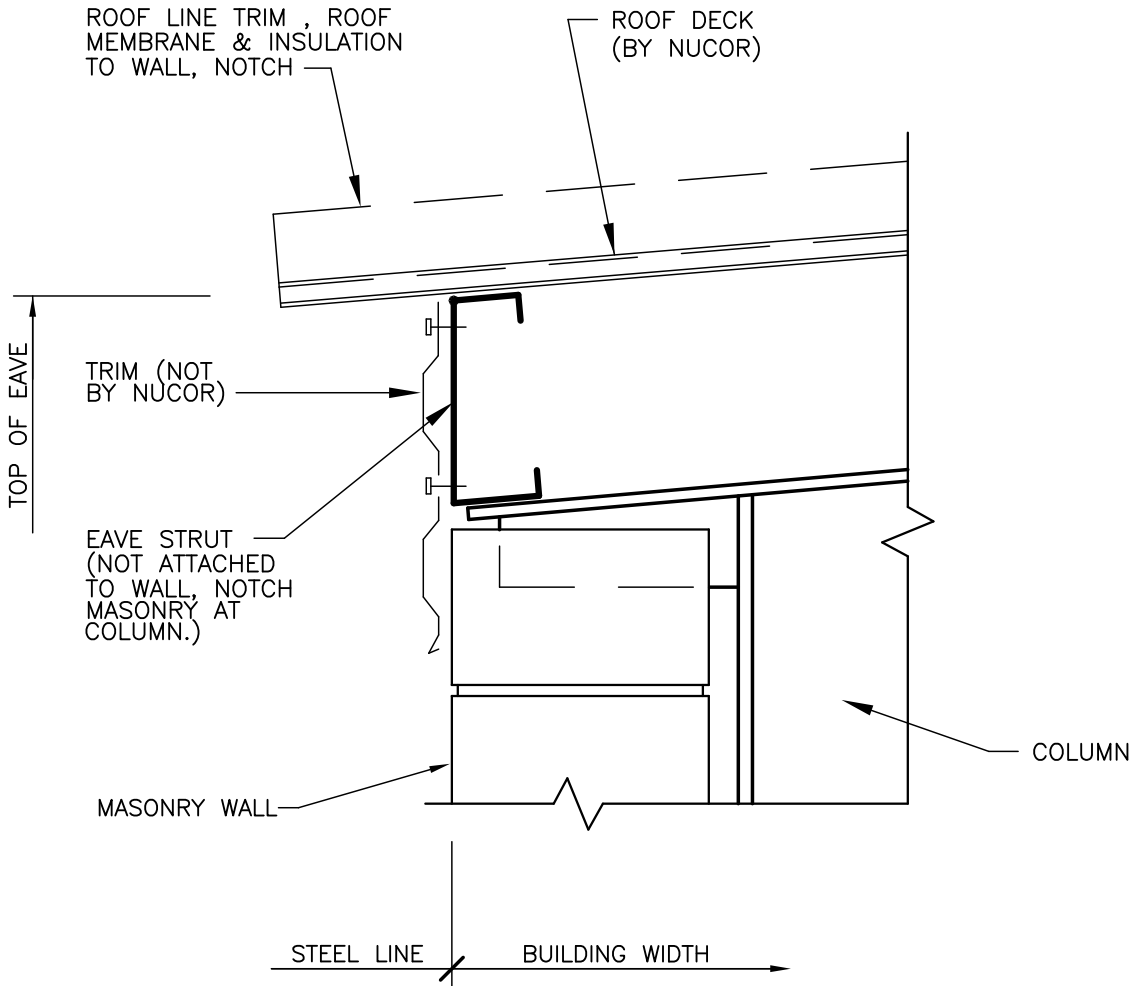
DETAIL NAME IF APPLICABLE
LC6020.DWG

4.10.14



PRODUCT & ENGINEERING MANUAL

LC6030 – NON-PARAPET, PURLIN BLDG., ROOF NOT BY NBS, EAVE STRUT ON TOP OF MASONRY



NON-LOAD BEARING FULL HGT. MASONRY

NON-PARAPET: ROOF NOT BY NBS, EAVE STRUT ON TOP OF MASONRY

LC6030

LAST REVISION
DATE: 02/16/15
BY: AK CHK: EGB

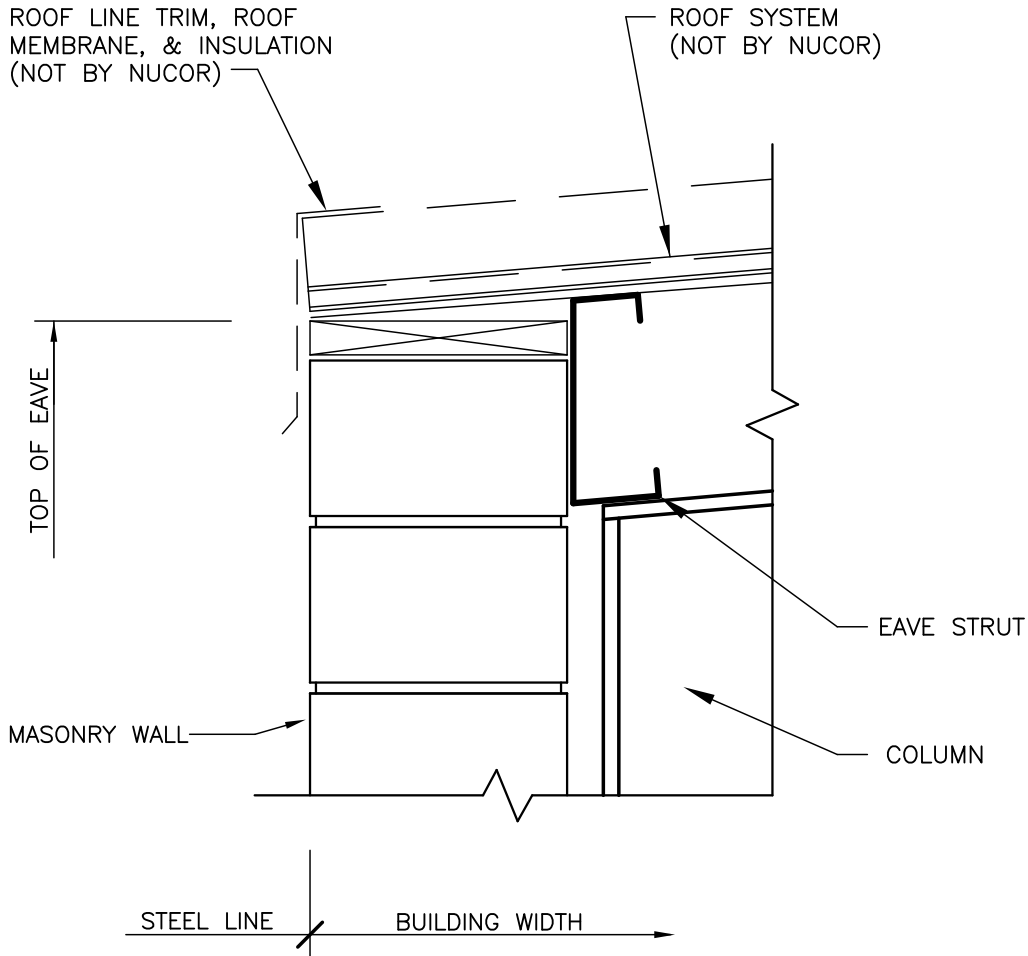
DETAIL NAME IF APPLICABLE
LC6030.DWG

4.10.15



PRODUCT & ENGINEERING MANUAL

LC6040 – NON-PARAPET, PURLIN BLDG., ROOF NOT BY NBS, EAVE STRUT ON TOP OF MASONRY



NON-LOAD BEARING FULL HGT. MASONRY

NON-PARAPET: ROOF NOT BY NBS, EAVE STRUT INSIDE OF MASONRY

LC6040

LAST REVISION
DATE: 02/16/15
BY: AK CHK: EGB

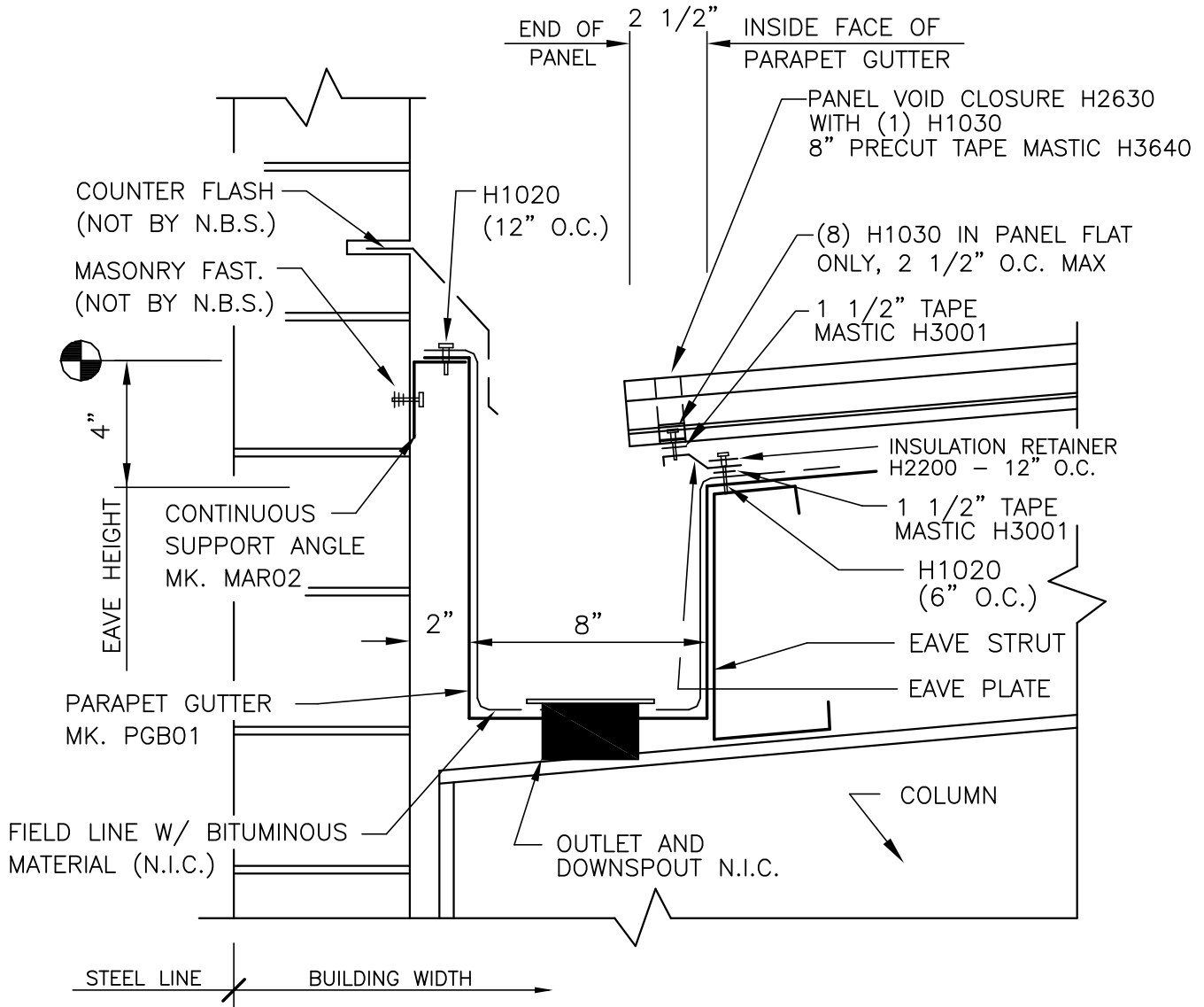
DETAIL NAME IF APPLICABLE
LC6040.DWG

4.10.16



PRODUCT & ENGINEERING MANUAL

LC6050 – PARAPET, PURLIN BLDG., CFR BY NBS



NON-LOAD BEARING FULL HGT. MASONRY

PARAPET: CFR BY NBS, PURLIN ROOF

LC6050

LAST REVISION
 DATE: 02/16/15
 BY: AK CHK: EGB

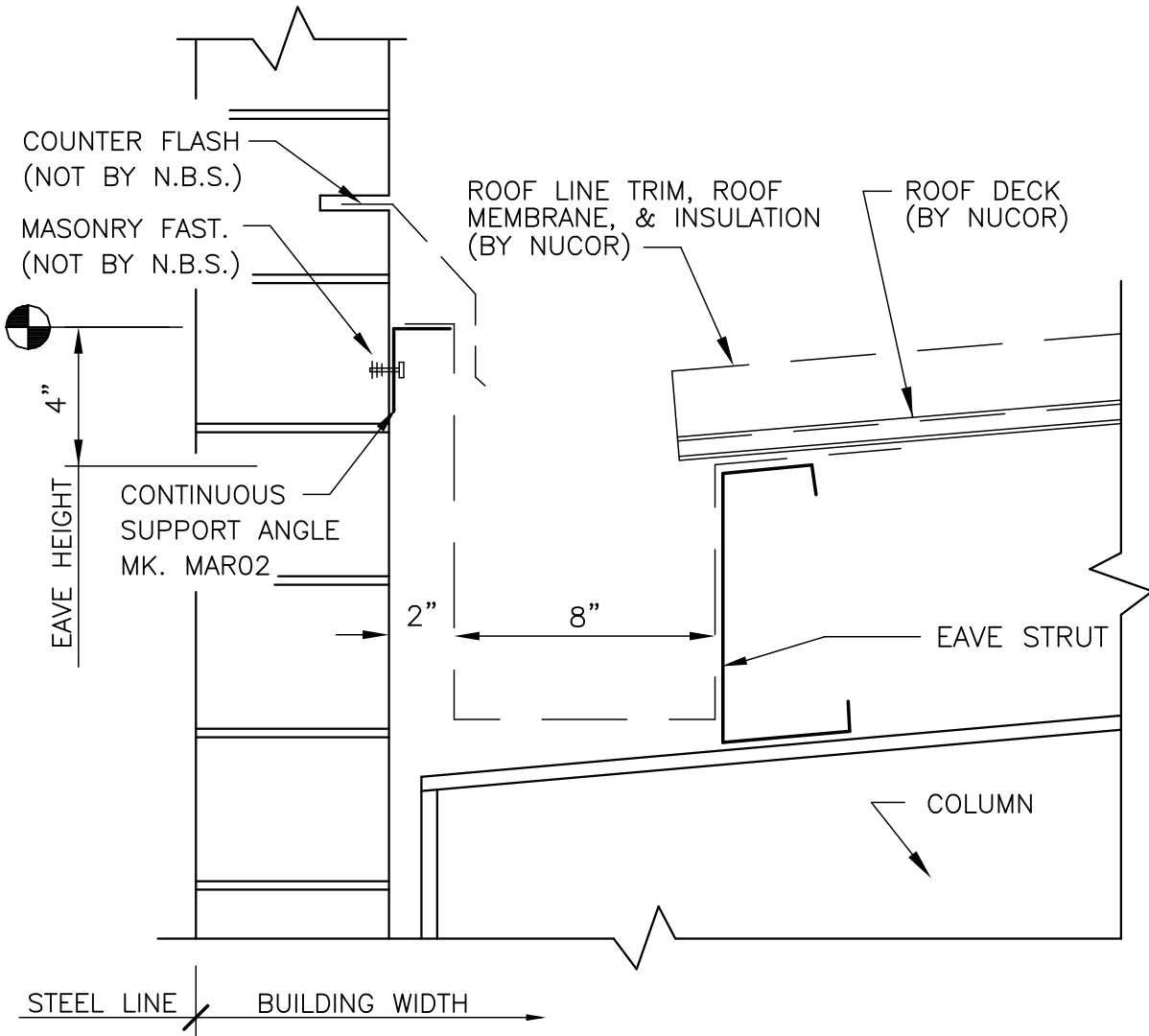
DETAIL NAME IF APPLICABLE
LC6050.DWG

4.10.17



PRODUCT & ENGINEERING MANUAL

LC6060 – PARAPET, PURLIN BLDG., ROOF NOT BY NBS



NON-LOAD BEARING FULL HGT. MASONRY

PARAPET: ROOF NOT BY NBS, PURLIN ROOF

LC6060

LAST REVISION
DATE: 02/16/15
BY: AK CHK: EGB

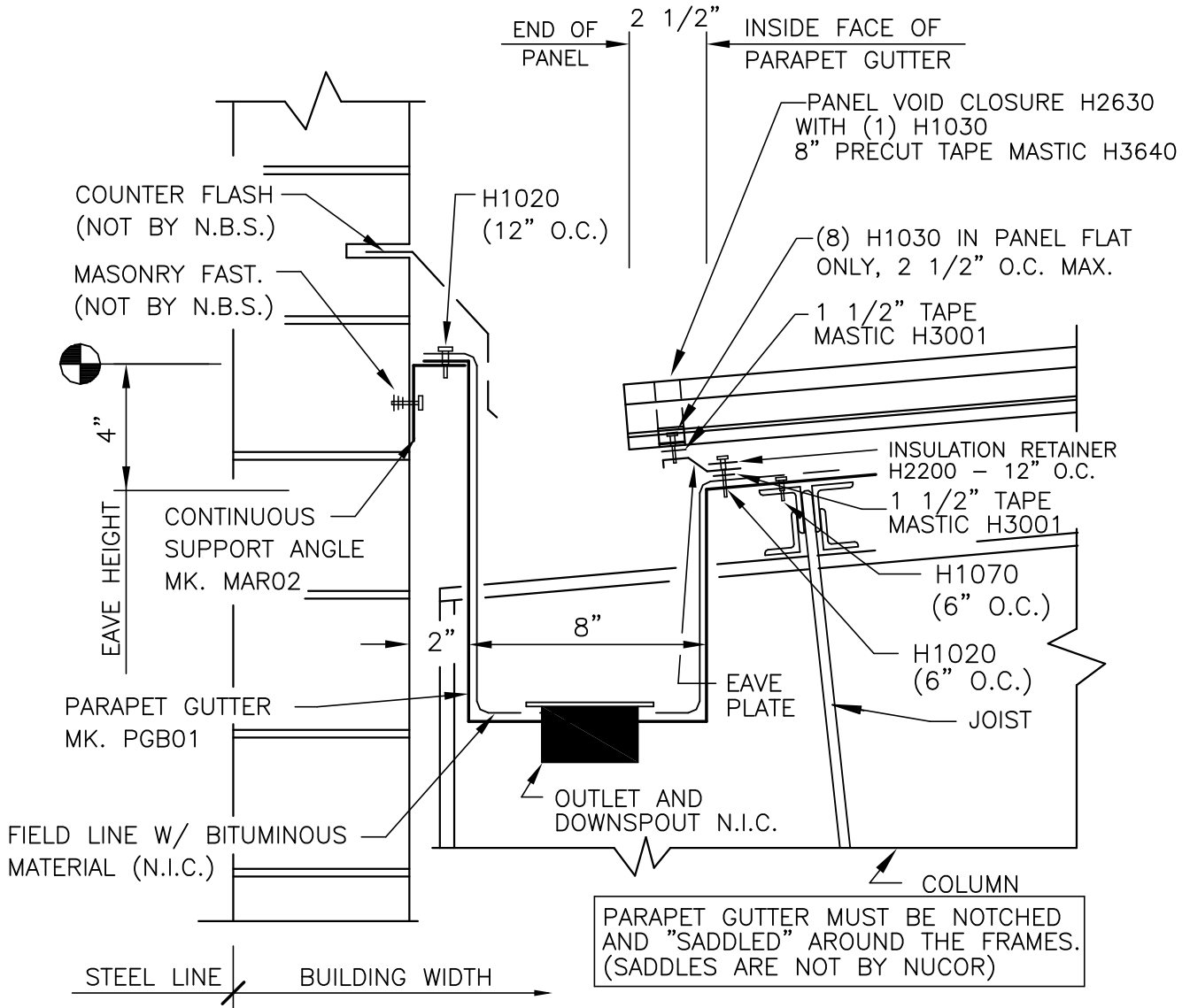
DETAIL NAME IF APPLICABLE
LC6060.DWG

4.10.18



PRODUCT & ENGINEERING MANUAL

LC6070 – PARAPET, JOIST BLDG., CFR BY NBS



NON-LOAD BEARING FULL HGT. MASONRY

PARAPET: CFR BY NBS, JOIST ROOF

LC6070

LAST REVISION
 DATE: 02/16/15
 BY: AK CHK: EGB

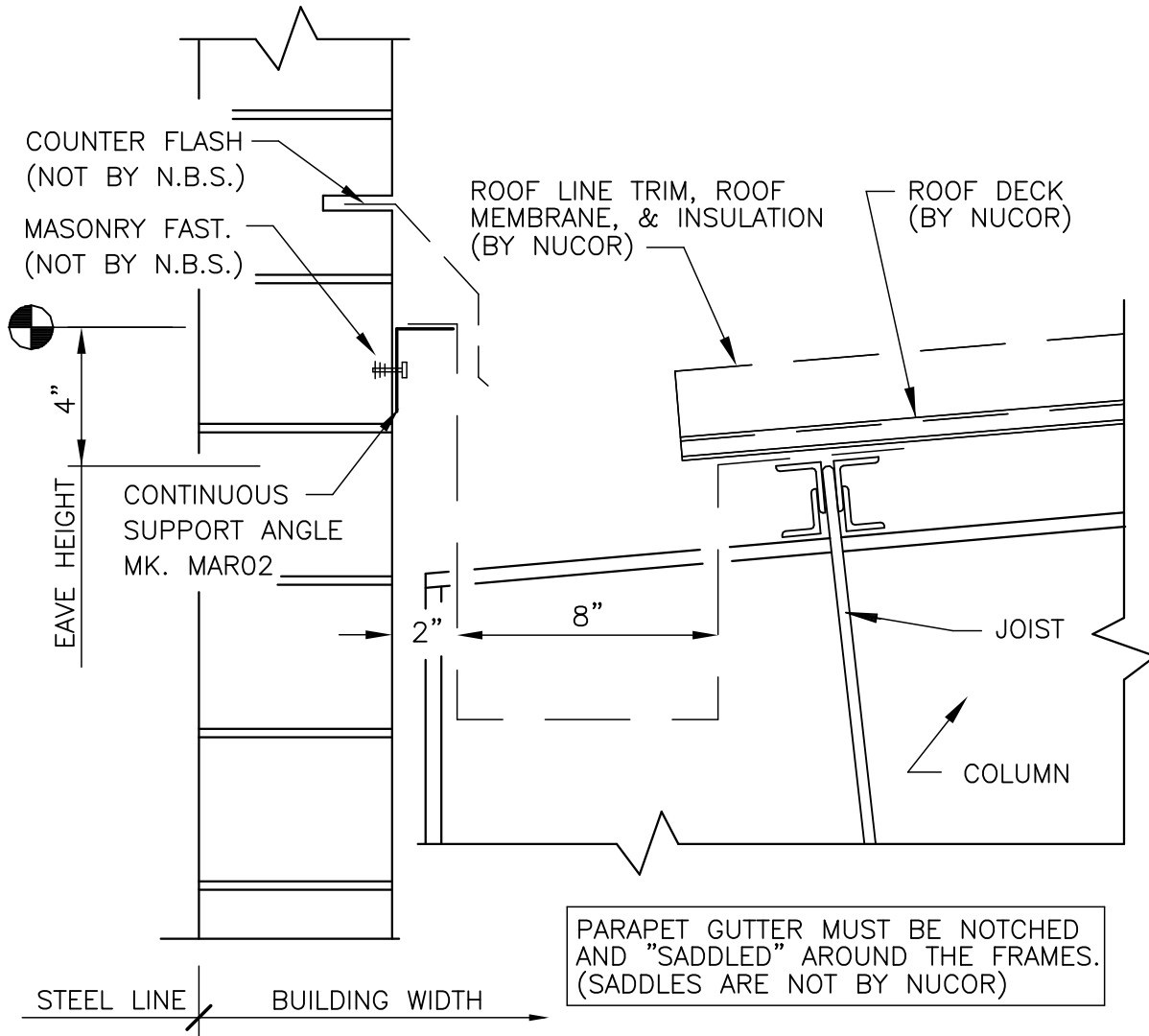
DETAIL NAME IF APPLICABLE
LC6070.DWG

4.10.19



PRODUCT & ENGINEERING MANUAL

LC6080 – PARAPET, JOIST BLDG., ROOF NOT BY NBS



NON-LOAD BEARING FULL HGT. MASONRY

PARAPET: ROOF NOT BY NBS, JOIST ROOF

LC6080

LAST REVISION
DATE: 02/16/15
BY: AK CHK: EGB

DETAIL NAME IF APPLICABLE
LC6080.DWG

4.10.20

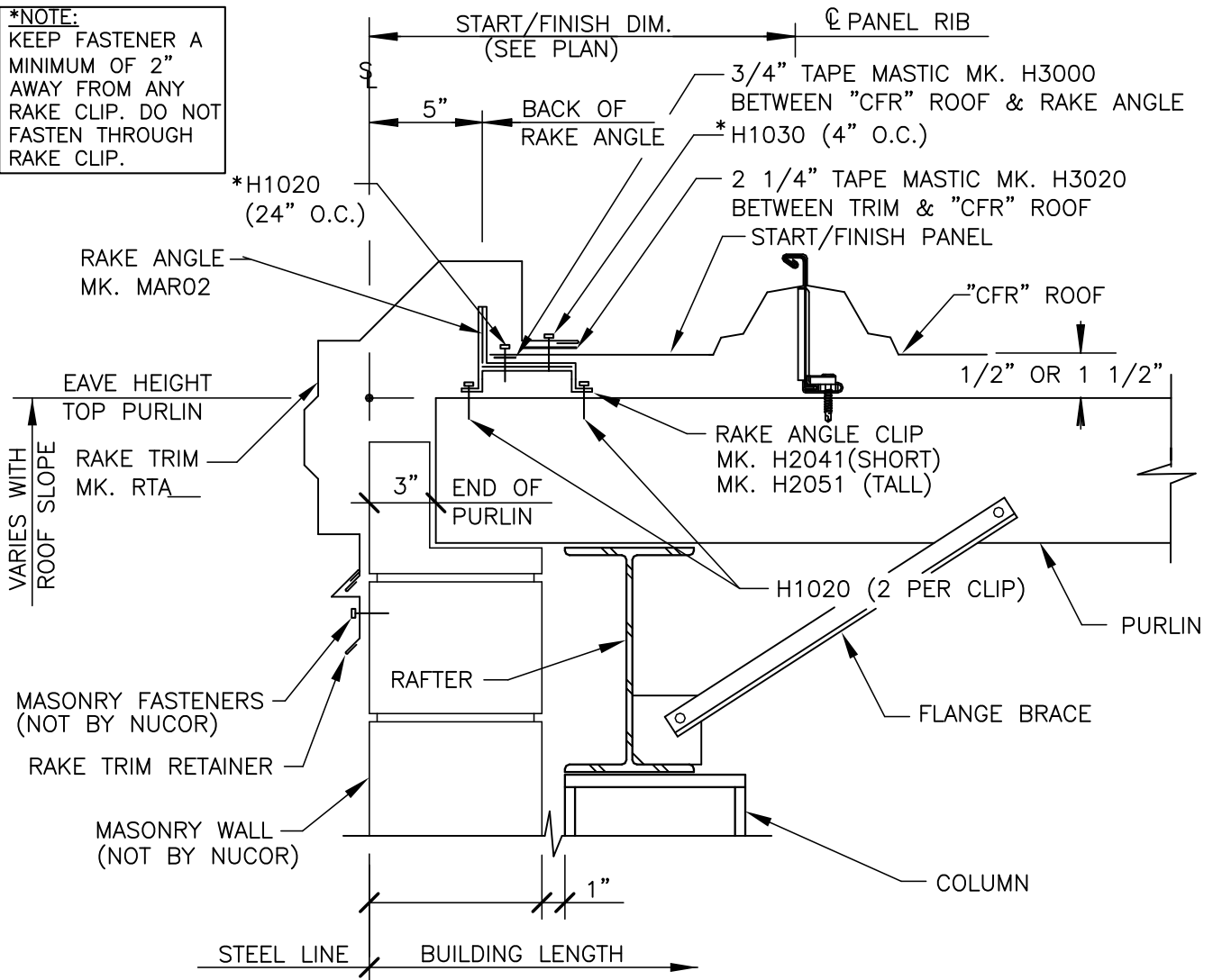


PRODUCT & ENGINEERING MANUAL

D: ENDWALL SHEETING CONDITIONS

LD6010 – NON-PARAPET, PURLIN BLDG., CFR BY NBS

***NOTE:**
KEEP FASTENER A MINIMUM OF 2" AWAY FROM ANY RAKE CLIP. DO NOT FASTEN THROUGH RAKE CLIP.



NON-LOAD BEARING MASONRY WALL DETAIL

NON-PARAPET: CFR BY NBS, PURLIN ROOF

LD6010

LAST REVISION
DATE: 02/16/15
BY: AK CHK: EGB

DETAIL NAME IF APPLICABLE
LD6010.DWG

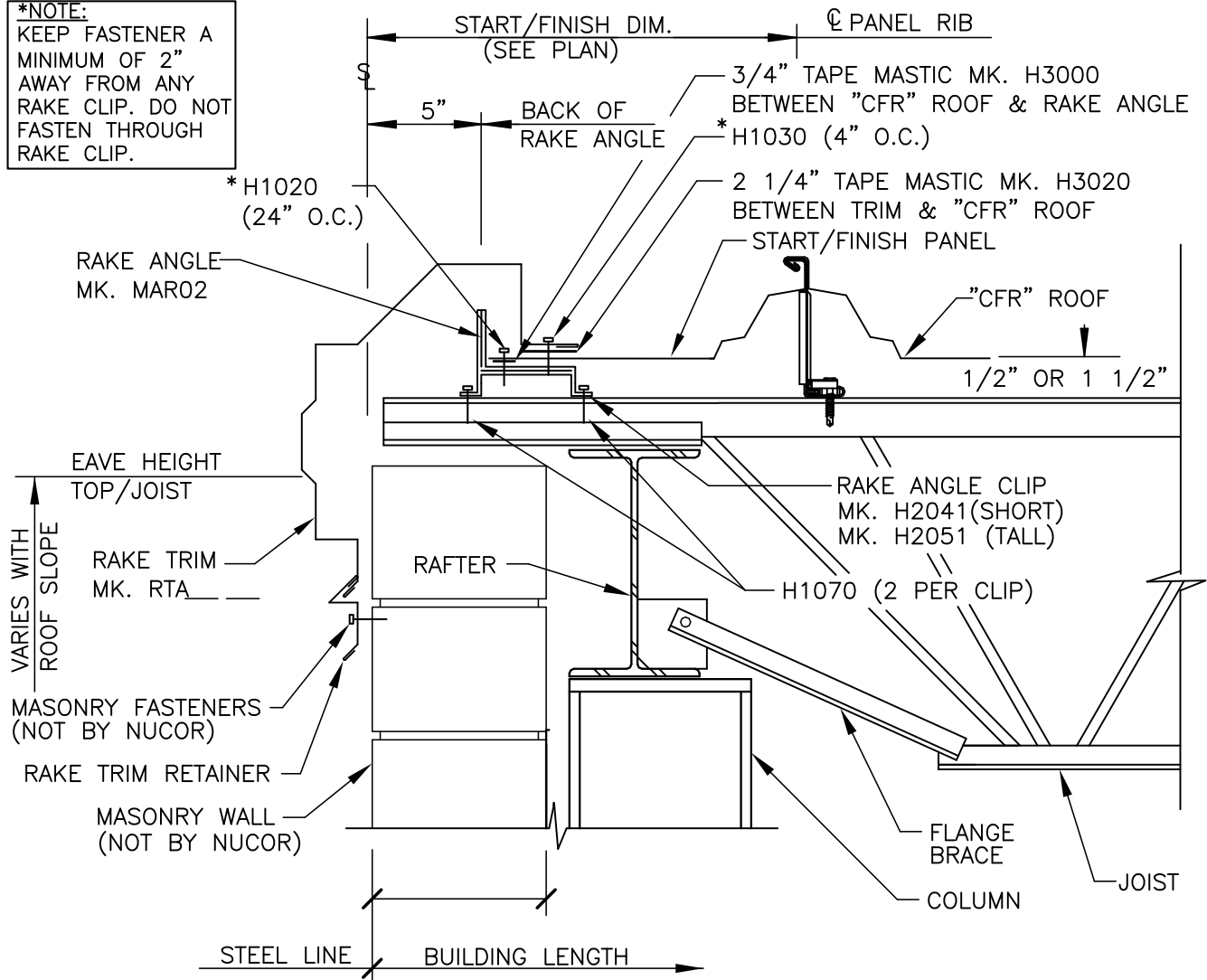
4.10.21



PRODUCT & ENGINEERING MANUAL

LD6020 – NON-PARAPET, JOIST BLDG., CFR BY NBS

***NOTE:**
KEEP FASTENER A
MINIMUM OF 2"
AWAY FROM ANY
RAKE CLIP. DO NOT
FASTEN THROUGH
RAKE CLIP.



NON-LOAD BEARING MASONRY WALL DETAIL

NON-PARAPET: CFR BY NBS, JOIST ROOF

LD6020

LAST REVISION
DATE: 02/16/15
BY: AK CHK: EGB

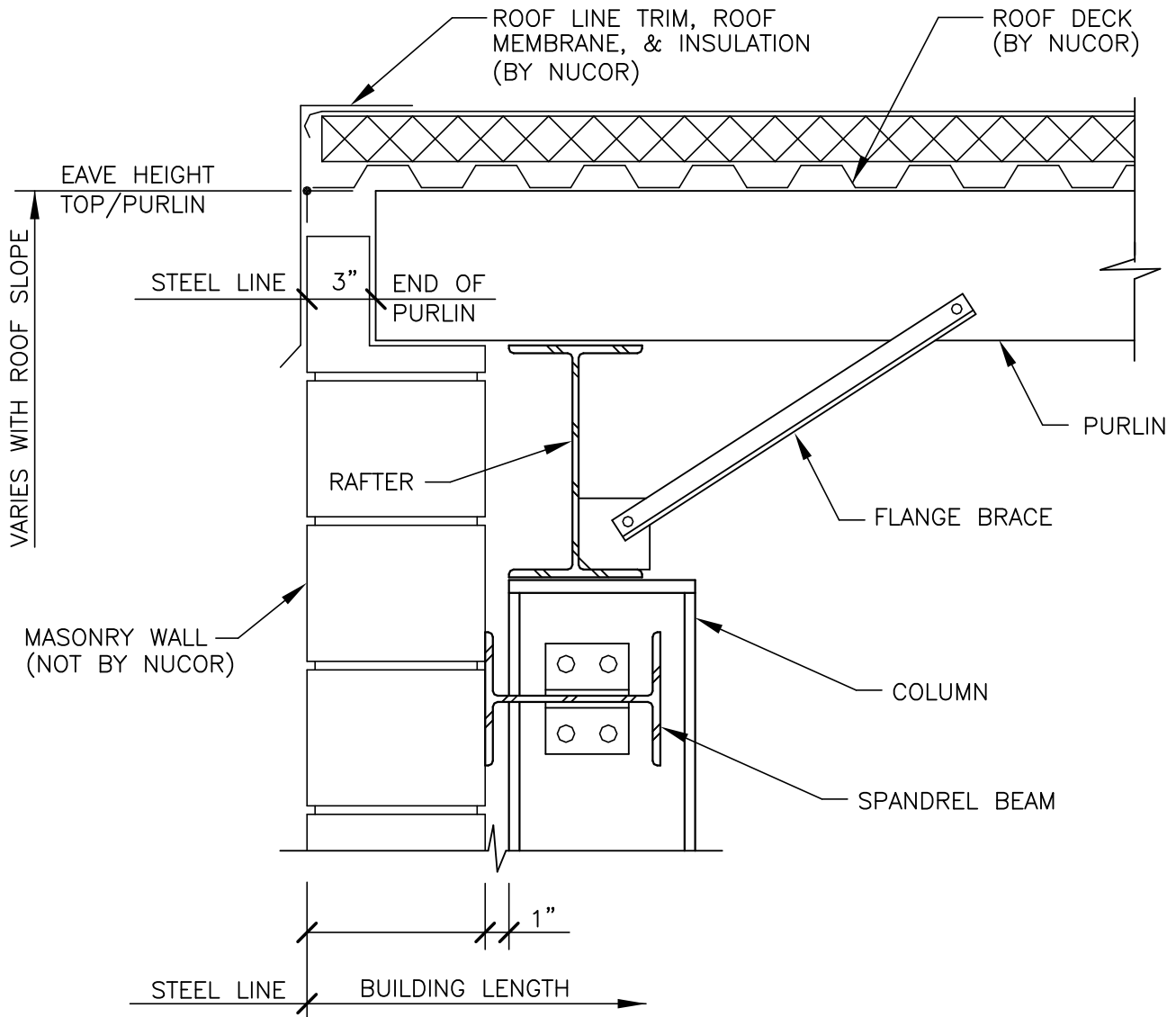
DETAIL NAME IF APPLICABLE
LD6020.DWG

4.10.22



PRODUCT & ENGINEERING MANUAL

LD6030 – NON-PARAPET, PURLIN BLDG., ROOF NOT BY NBS



NON-LOAD BEARING MASONRY WALL DETAIL

NON-PARAPET: ROOF NOT BY NBS, PURLIN ROOF

LD6030

LAST REVISION
DATE: 02/16/15
BY: AK CHK: EGB

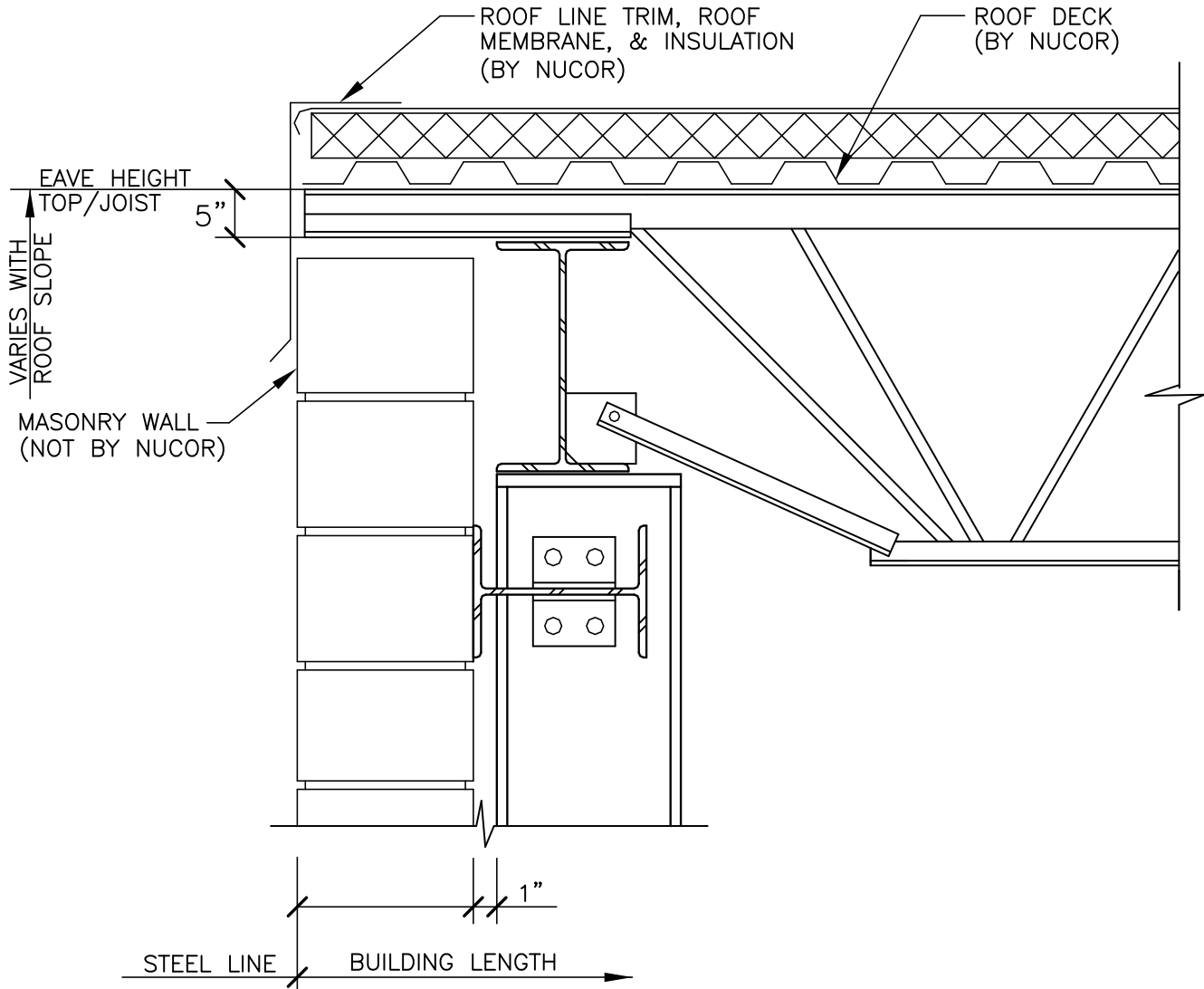
DETAIL NAME IF APPLICABLE
LD6030.DWG

4.10.23



PRODUCT & ENGINEERING MANUAL

LD6040 – NON-PARAPET, JOIST BLDG., ROOF NOT BY NBS



NON-LOAD BEARING MASONRY WALL DETAIL

NON-PARAPET: ROOF NOT BY NBS, JOIST ROOF

LD6040

LAST REVISION
DATE: 02/16/15
BY: AK CHK: EGB

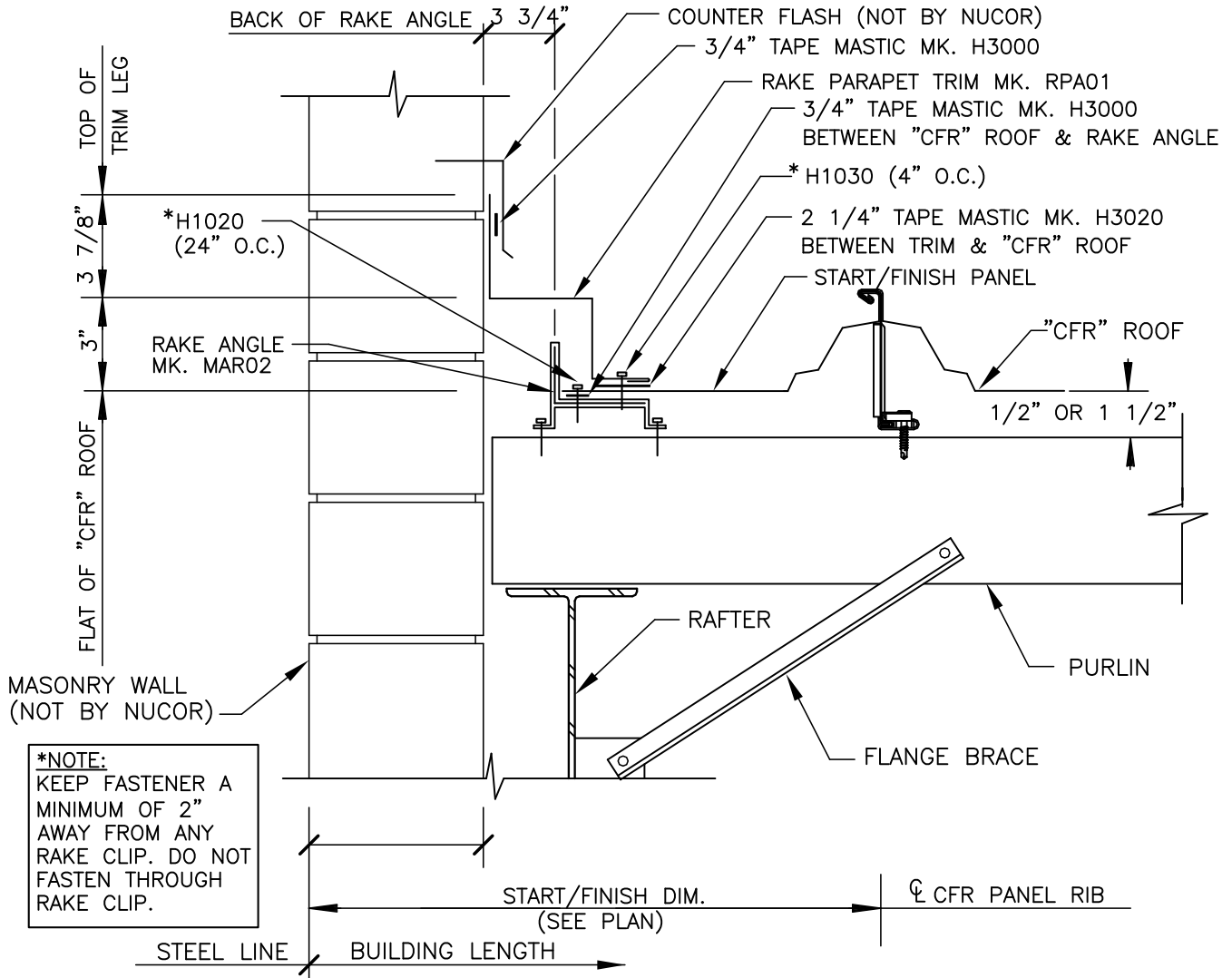
DETAIL NAME IF APPLICABLE
LD6040.DWG

4.10.24



PRODUCT & ENGINEERING MANUAL

LD6050 – PARAPET, PURLIN BLDG., CFR BY NBS



NON-LOAD BEARING MASONRY WALL DETAIL

PARAPET: CFR BY NBS, PURLIN ROOF

LD6050

LAST REVISION
DATE: 02/16/15
BY: AK CHK: EGB

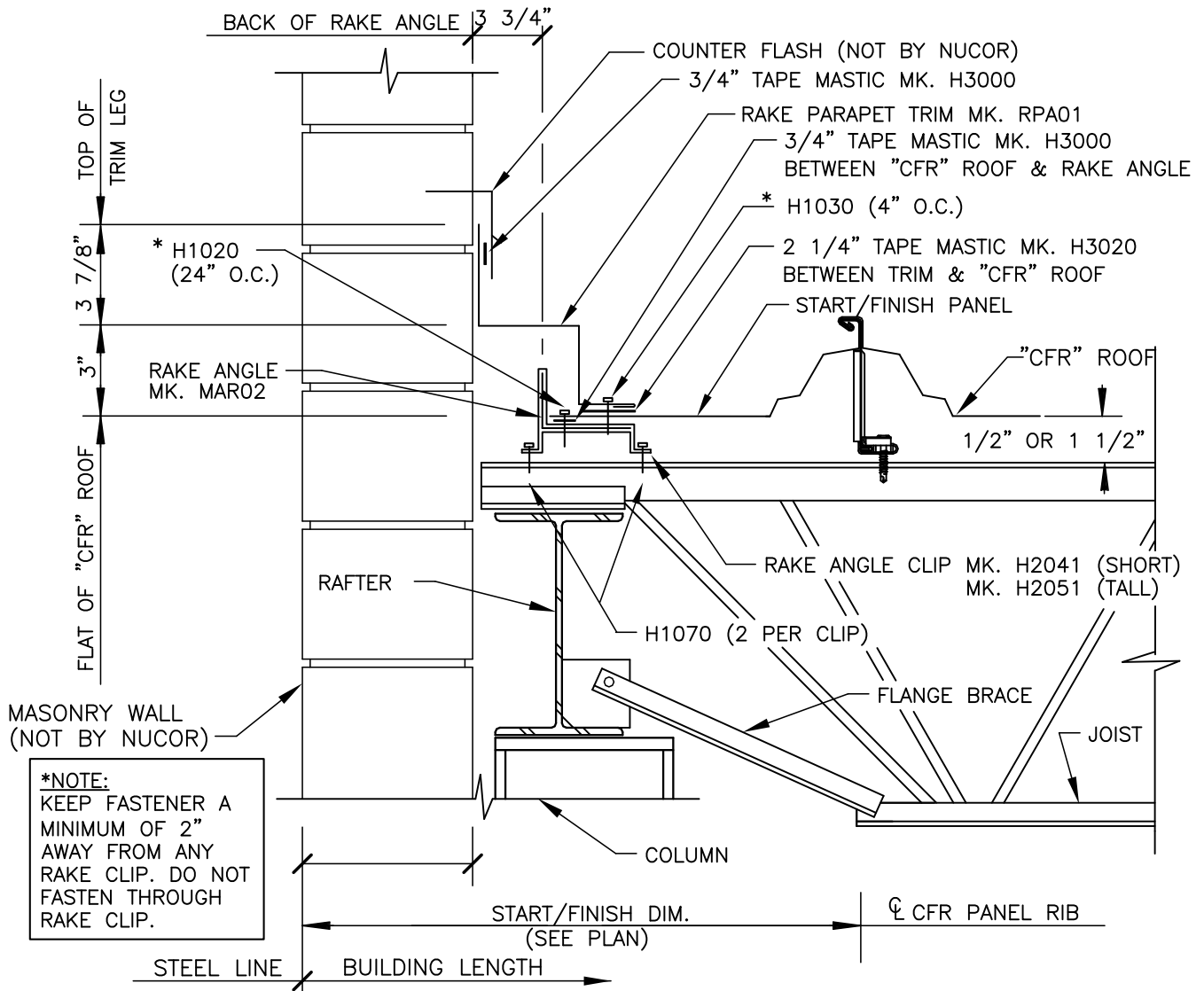
DETAIL NAME IF APPLICABLE
LD6050.DWG

4.10.25



PRODUCT & ENGINEERING MANUAL

LD6060 – PARAPET, JOIST BLDG., CFR BY NBS



NON-LOAD BEARING MASONRY WALL DETAIL

PARAPET: CFR BY NBS, JOIST ROOF

LD6060

LAST REVISION
DATE: 02/16/15
BY: AK CHK: EGB

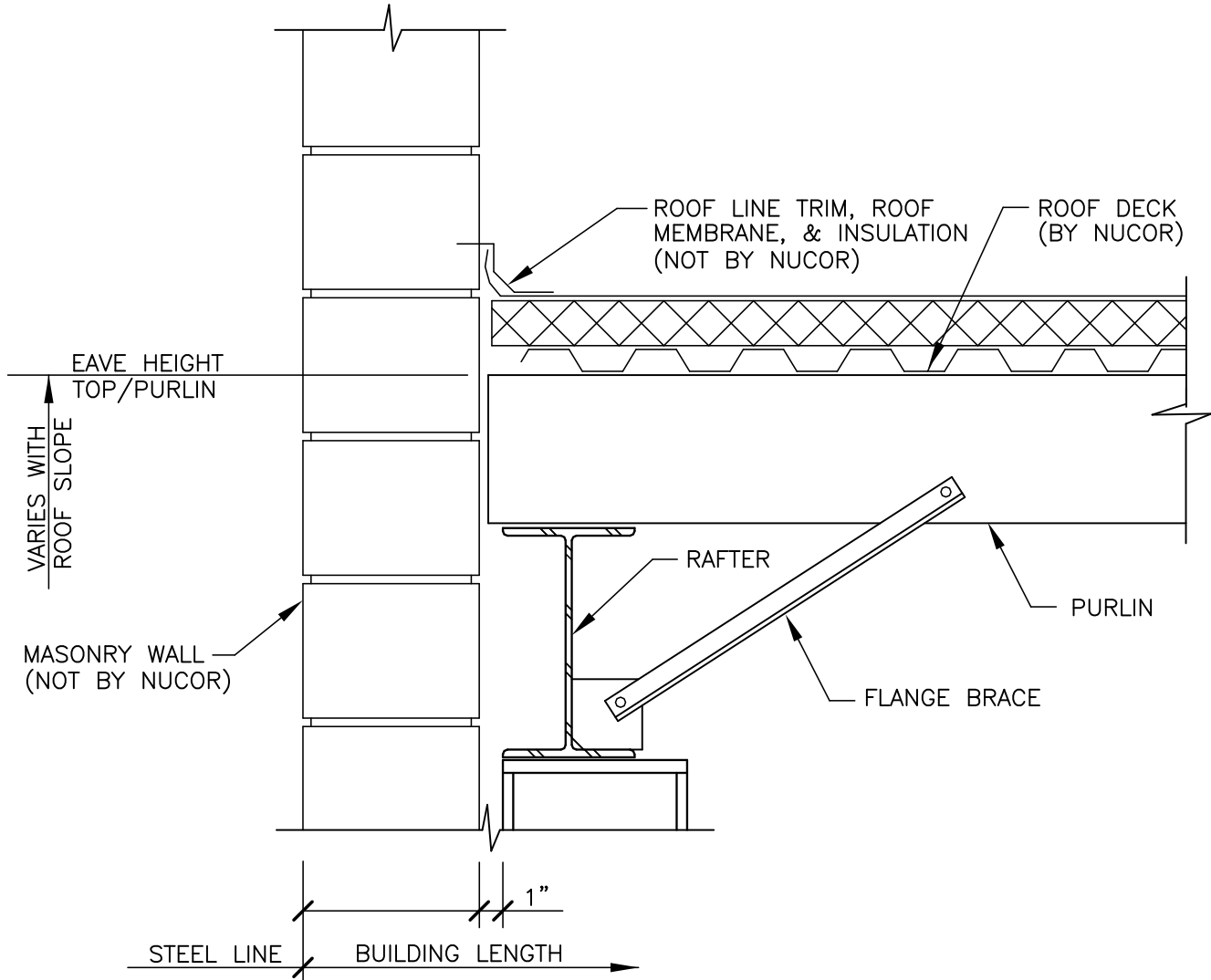
DETAIL NAME IF APPLICABLE
LD6060.DWG

4.10.26



PRODUCT & ENGINEERING MANUAL

LD6070 – PARAPET, PURLIN BLDG., ROOF NOT BY NBS



NON-LOAD BEARING MASONRY WALL DETAIL

PARAPET: ROOF NOT BY NBS, PURLIN ROOF

LD6070

LAST REVISION
DATE: 02/16/15
BY: AK CHK: EGB

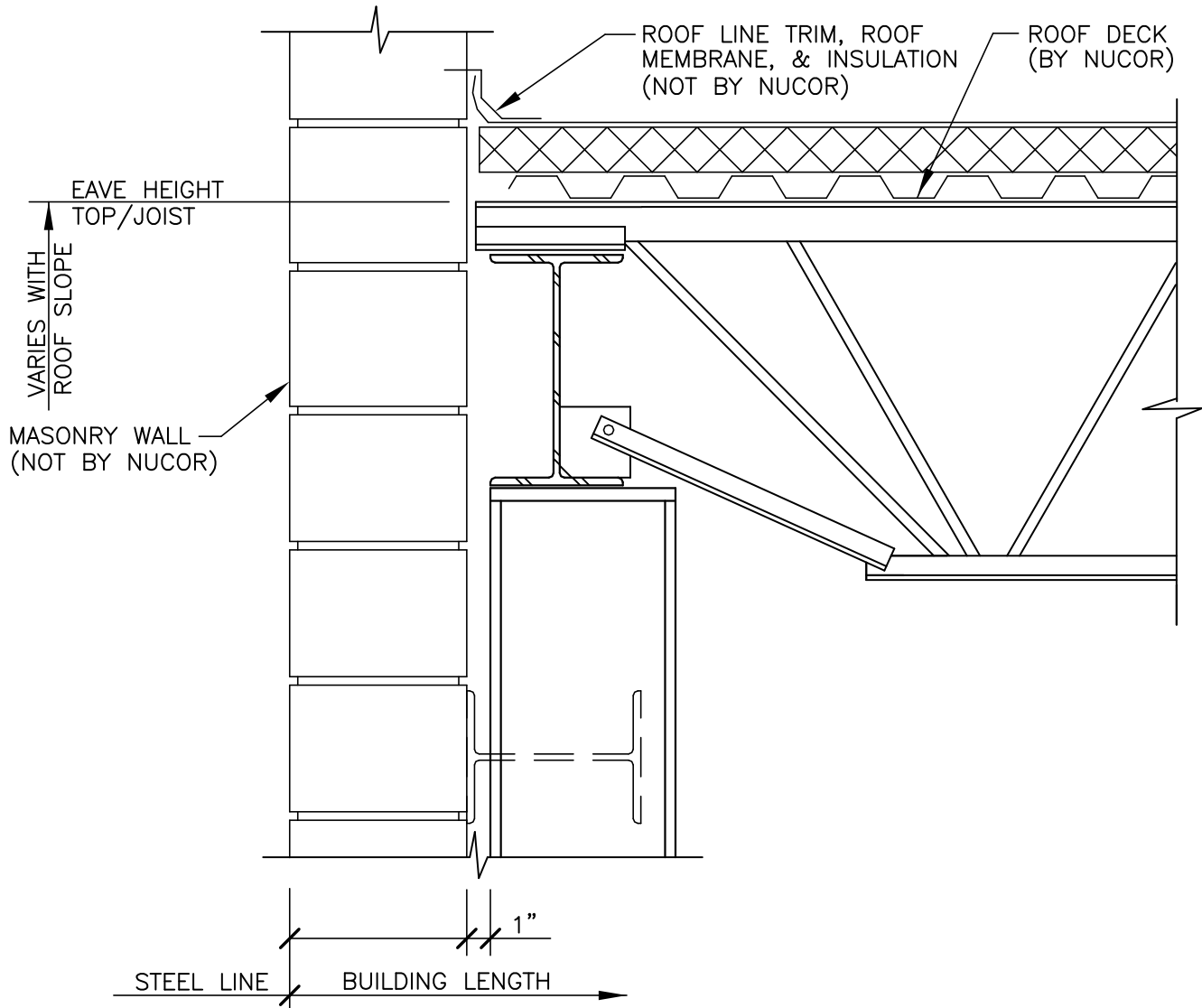
DETAIL NAME IF APPLICABLE
LD6070.DWG

4.10.27



PRODUCT & ENGINEERING MANUAL

LD6080 – PARAPET, JOIST BLDG., ROOF NOT BY NBS



NON-LOAD BEARING MASONRY WALL DETAIL

PARAPET: ROOF NOT BY NBS, JOIST ROOF

LD6080

LAST REVISION
DATE: 02/16/15
BY: AK CHK: EGB

DETAIL NAME IF APPLICABLE
LD6080.DWG

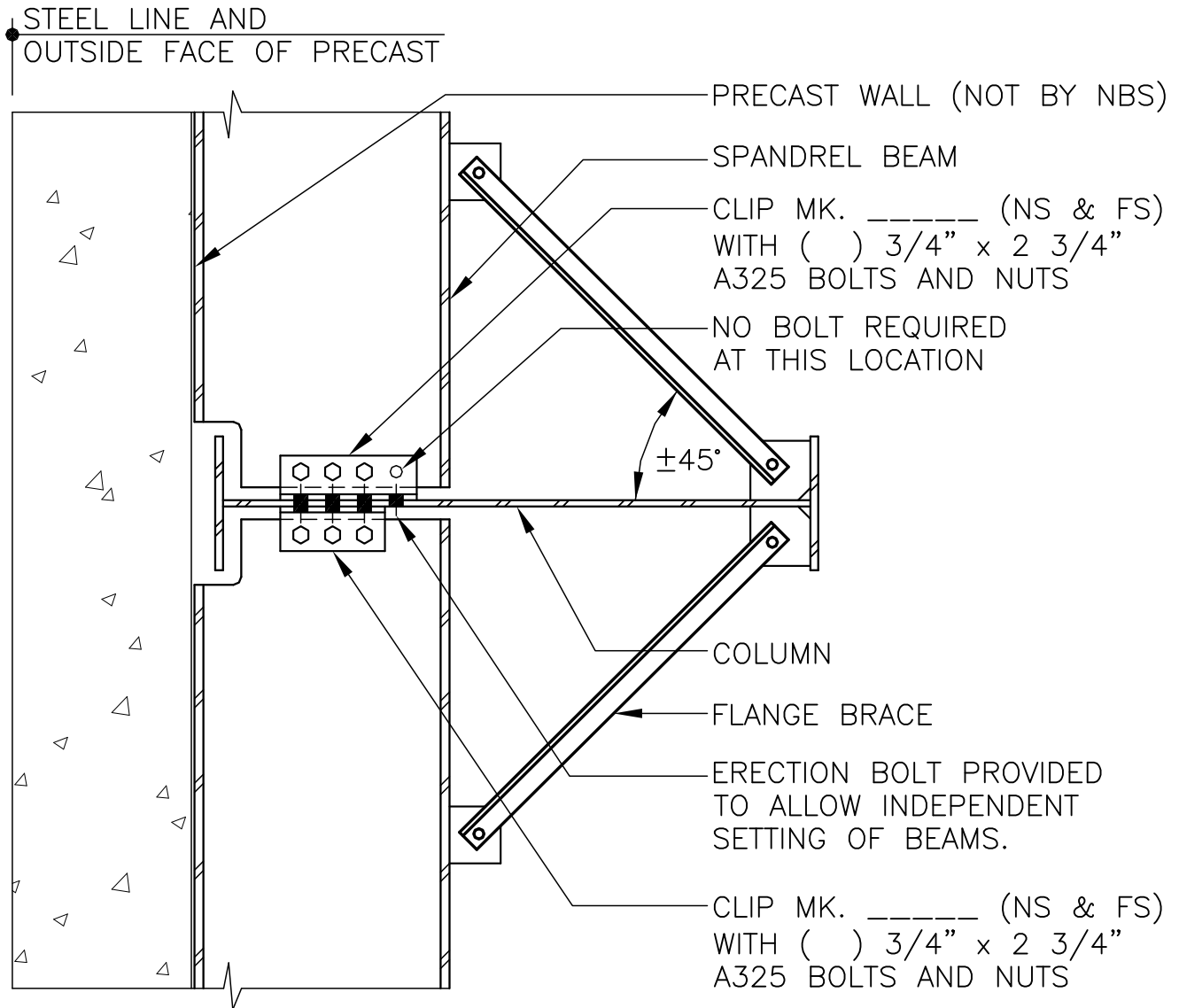
4.10.28



PRODUCT & ENGINEERING MANUAL

E. SPANDREL BEAM CONNECTION DETAILS

LE0010 – SPANDREL BEAM TO COLUMN CONNECTION



NON-LOAD BEARING MASONRY

SPANDREL BEAM TO COLUMN CONNECTION

LE0010

LAST REVISION
DATE: 02/16/15
BY: AK CHK: EGB

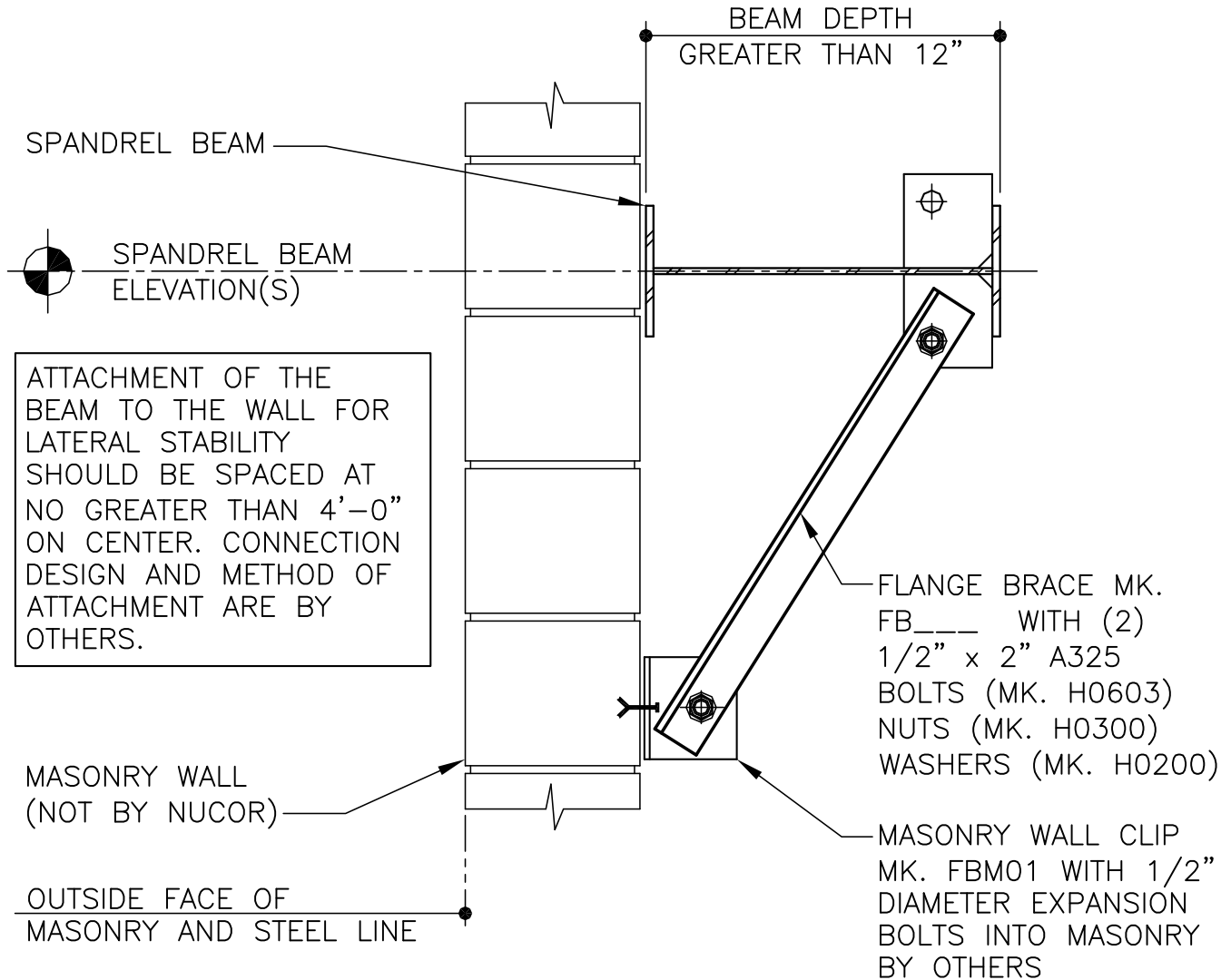
DETAIL NAME IF APPLICABLE
LE0010.DWG

4.10.29



PRODUCT & ENGINEERING MANUAL

LE0020 – SPANDREL BEAM TO WALL CONNECTION (WITH EXPANSION ANCHORS)



SPANDREL BEAM TO NON-LOAD BEARING

MASONRY WALL DETAIL

SPANDREL BEAM DEPTH GREATER THAN 12"

LE0020

LAST REVISION
DATE: 02/16/15
BY: AK CHK: EGB

DETAIL NAME IF APPLICABLE
LE0020.DWG

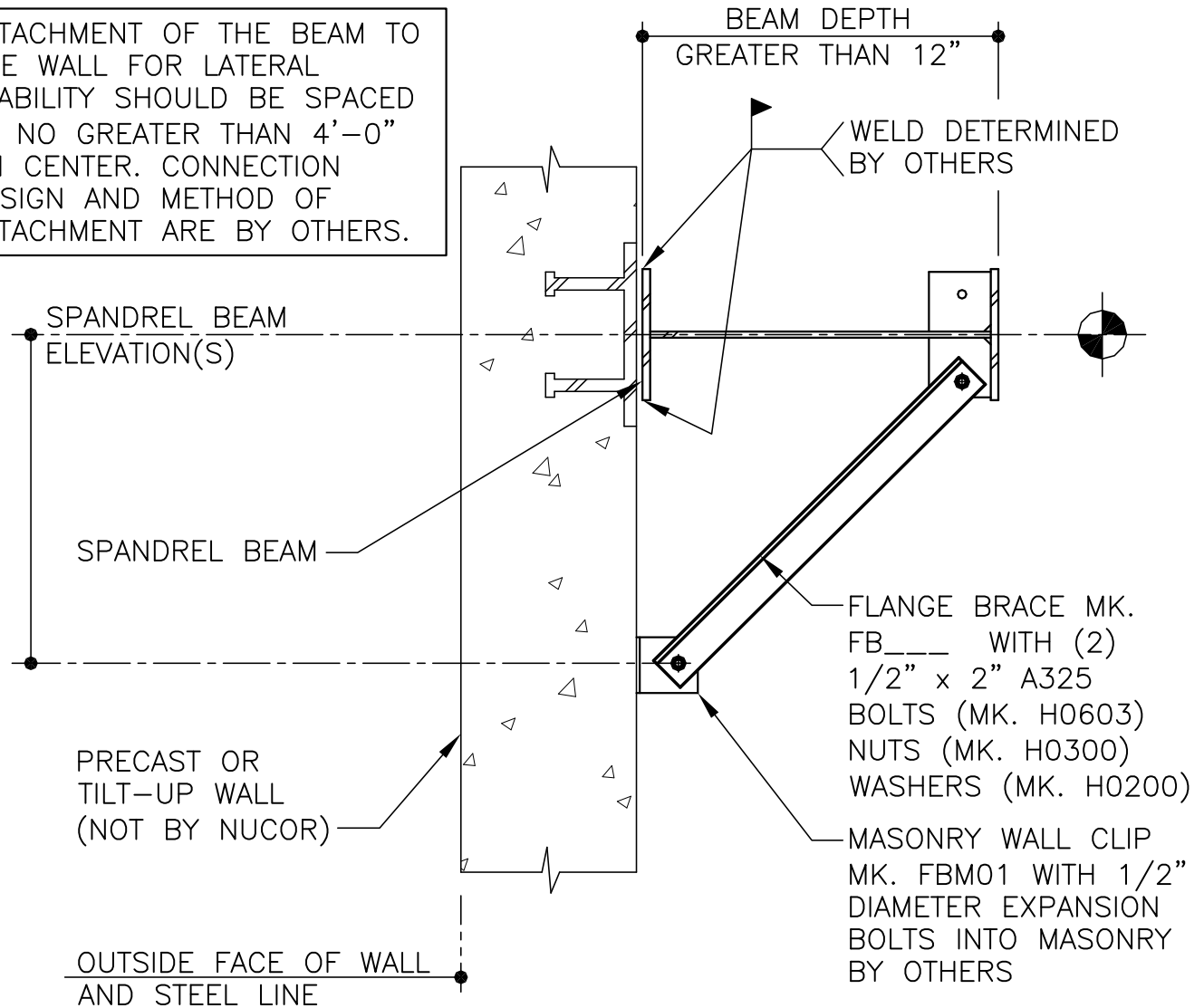
4.10.30



PRODUCT & ENGINEERING MANUAL

LE0030 – SPANDREL BEAM TO WALL CONNECTION (WELDED TO EMBEDDED PLATE)

ATTACHMENT OF THE BEAM TO THE WALL FOR LATERAL STABILITY SHOULD BE SPACED AT NO GREATER THAN 4'-0" ON CENTER. CONNECTION DESIGN AND METHOD OF ATTACHMENT ARE BY OTHERS.



SPANDREL BEAM TO PRECAST OR TILT-UP WALL DETAIL

SPANDREL BEAM DEPTH GREATER THAN 12"

LE0030

LAST REVISION
 DATE: 02/16/15
 BY: AK CHK: EGB

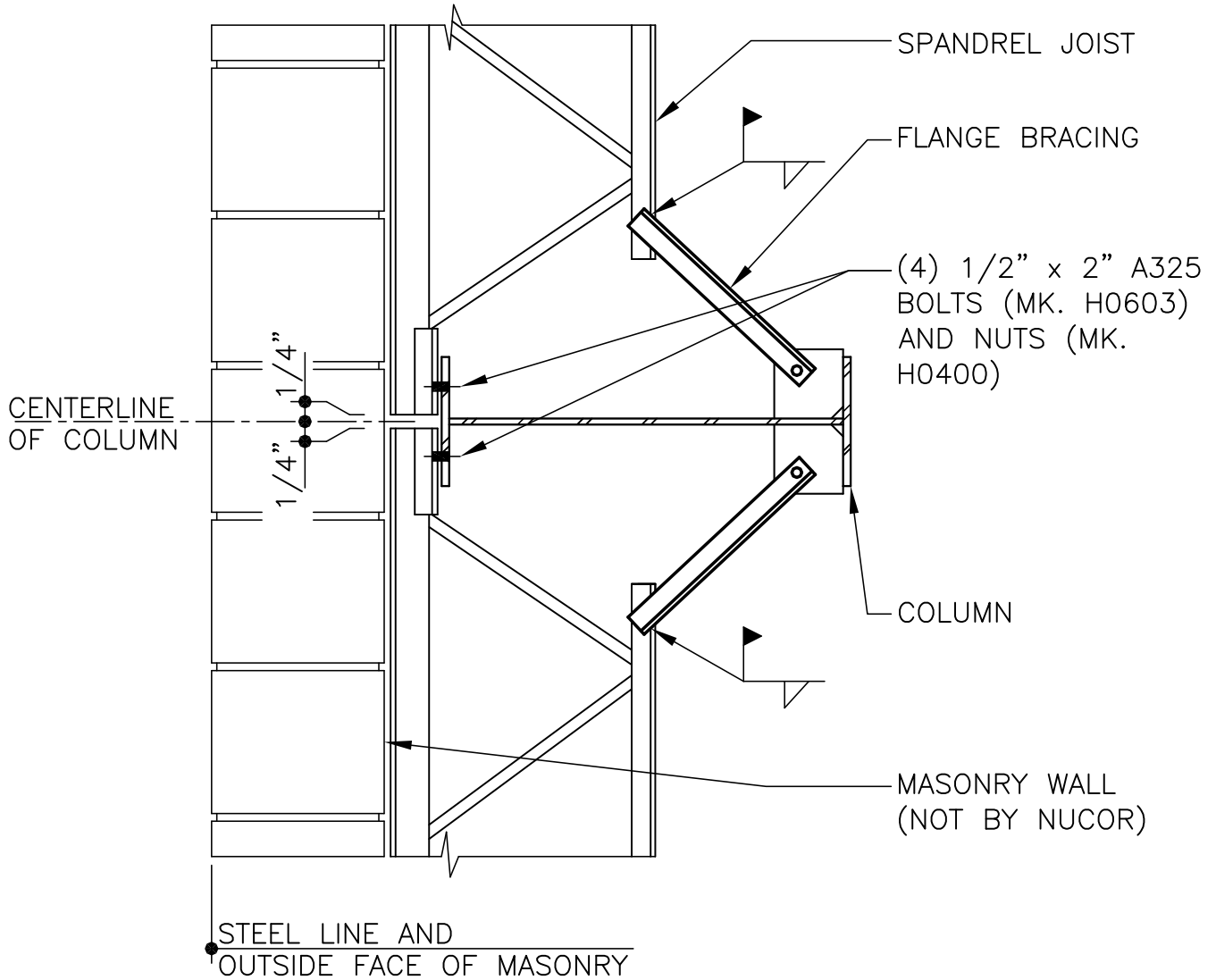
DETAIL NAME IF APPLICABLE
LE0030.DWG

4.10.31



PRODUCT & ENGINEERING MANUAL

LE0040 – SPANDREL JOIST TO COLUMN CONNECTION



NON-LOAD BEARING MASONRY

SPANDREL JOIST TO COLUMN CONNECTION

LE0040

LAST REVISION
DATE: 02/16/15
BY: AK CHK: EGB

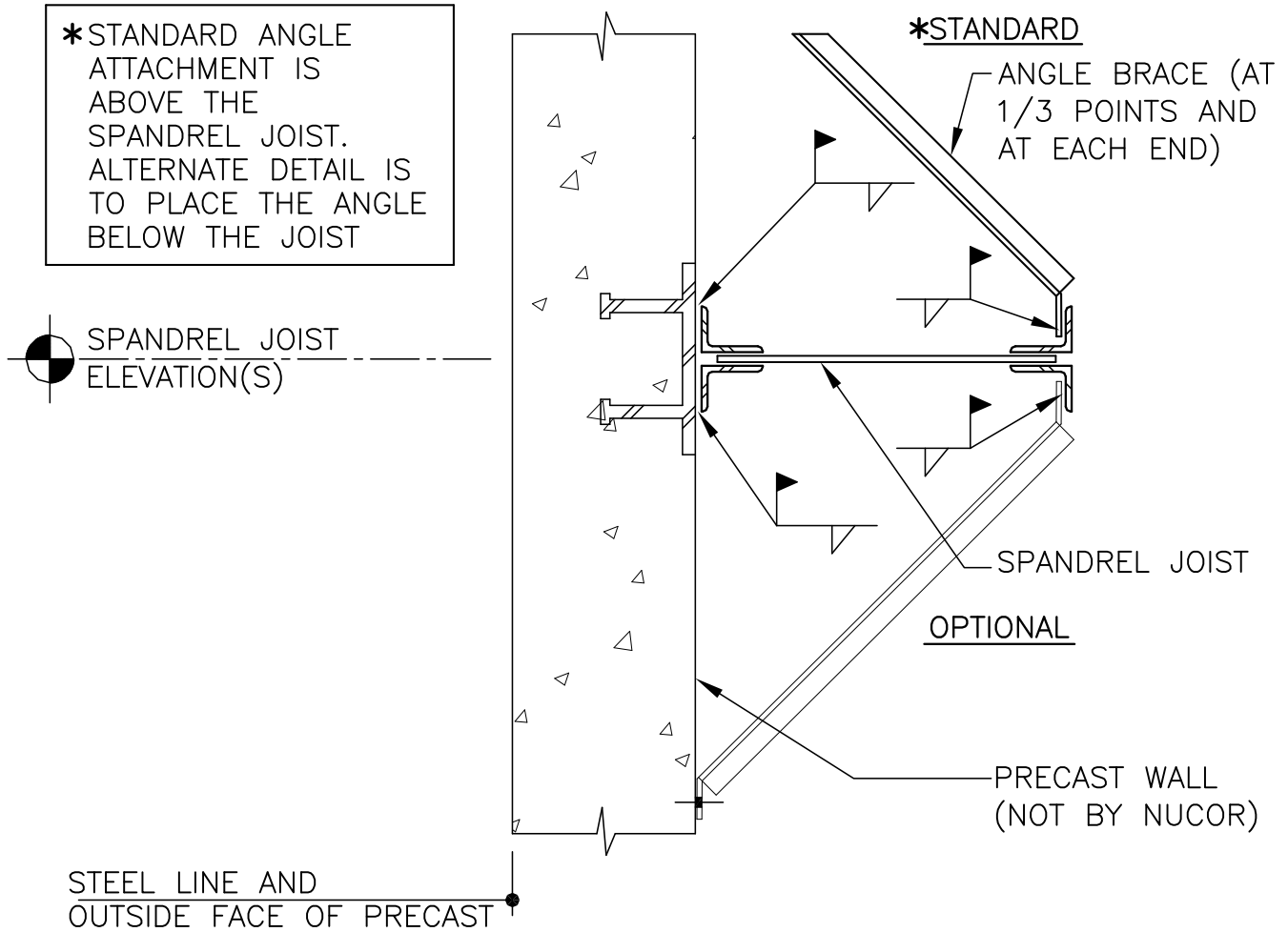
DETAIL NAME IF APPLICABLE
LE0040.DWG

4.10.32



PRODUCT & ENGINEERING MANUAL

LE0050 – SPANDREL JOIST TO WALL CONNECTION (WELDED TO EMBEDDED PLATE)



NON-LOAD BEARING MASONRY

SPANDREL JOIST TO WALL (WELDED TO EMBEDDED PLATE)

LE0050

LAST REVISION
DATE: 02/16/15
BY: AK CHK: EGB

DETAIL NAME IF APPLICABLE
LE0050.DWG

4.10.33



PRODUCT & ENGINEERING MANUAL

F: SPANDREL GIRT ATTACHMENT DETAILS

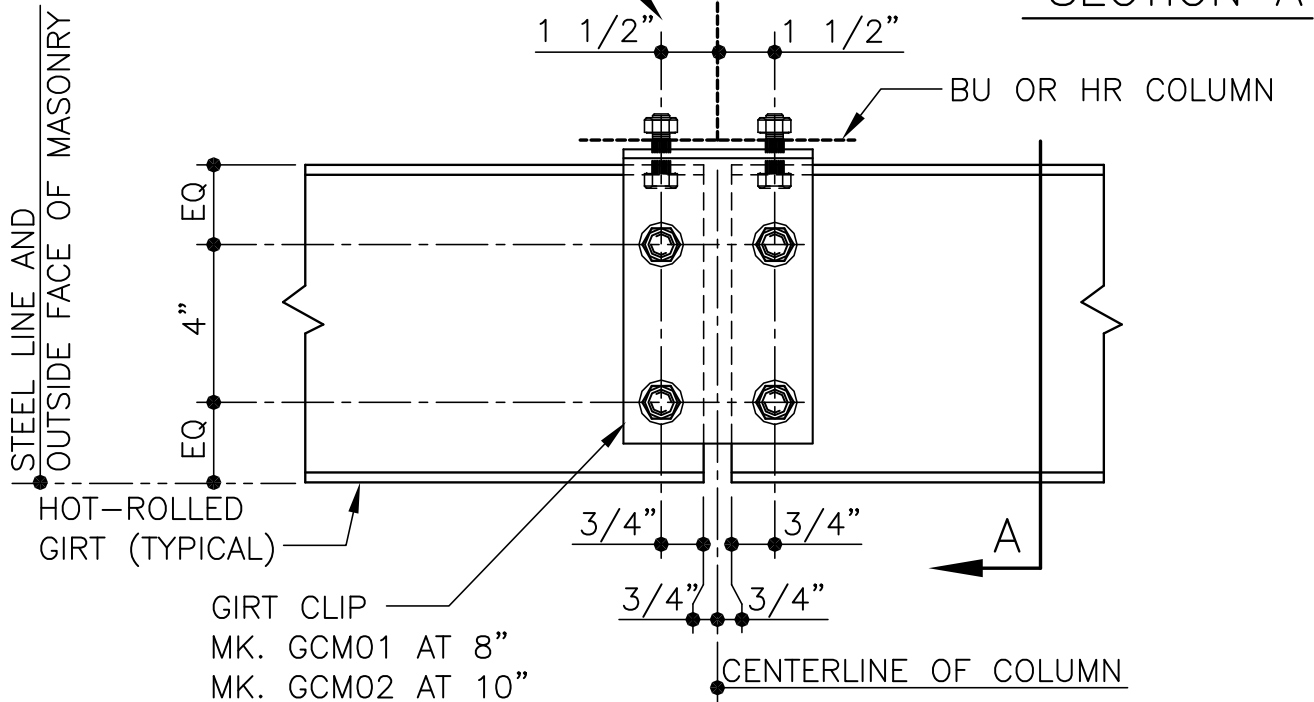
LF0010 – PARTIAL HEIGHT MASONRY (HOT-ROLLED CEE GIRT ON TOP OF WALL)

GIRT CLIP MK. GCM__ (SEE BELOW FOR MARK NUMBER)

HOT-ROLLED GIRT WITH SHOP-WELDED PLATES

ATTACHMENT TO WALL AT 5'-0" O.C. MAXIMUM
(ANCHORS NOT BY NBS) (FIELD DRILL GIRT AS REQ'D)

USE (2) 1/2" x 2" A325
BOLTS H0603/ NUTS H0300
(CLIP TO FLANGE CONNECTION)



NON SELF-SUPPORTING MASONRY

PARTIAL HEIGHT MASONRY (HOT-ROLLED GIRT ON TOP OF WALL)
USE (4) 1/2" x 1 1/4" A307 BOLTS (H0500) & NUTS (H0400)
REFERENCE ERECTOR NOTE FOR TYPICAL WASHER REQUIREMENTS

LF0010

LAST REVISION
DATE: 02/16/15
BY: AK CHK: EGB

DETAIL NAME IF APPLICABLE
LF0010.DWG

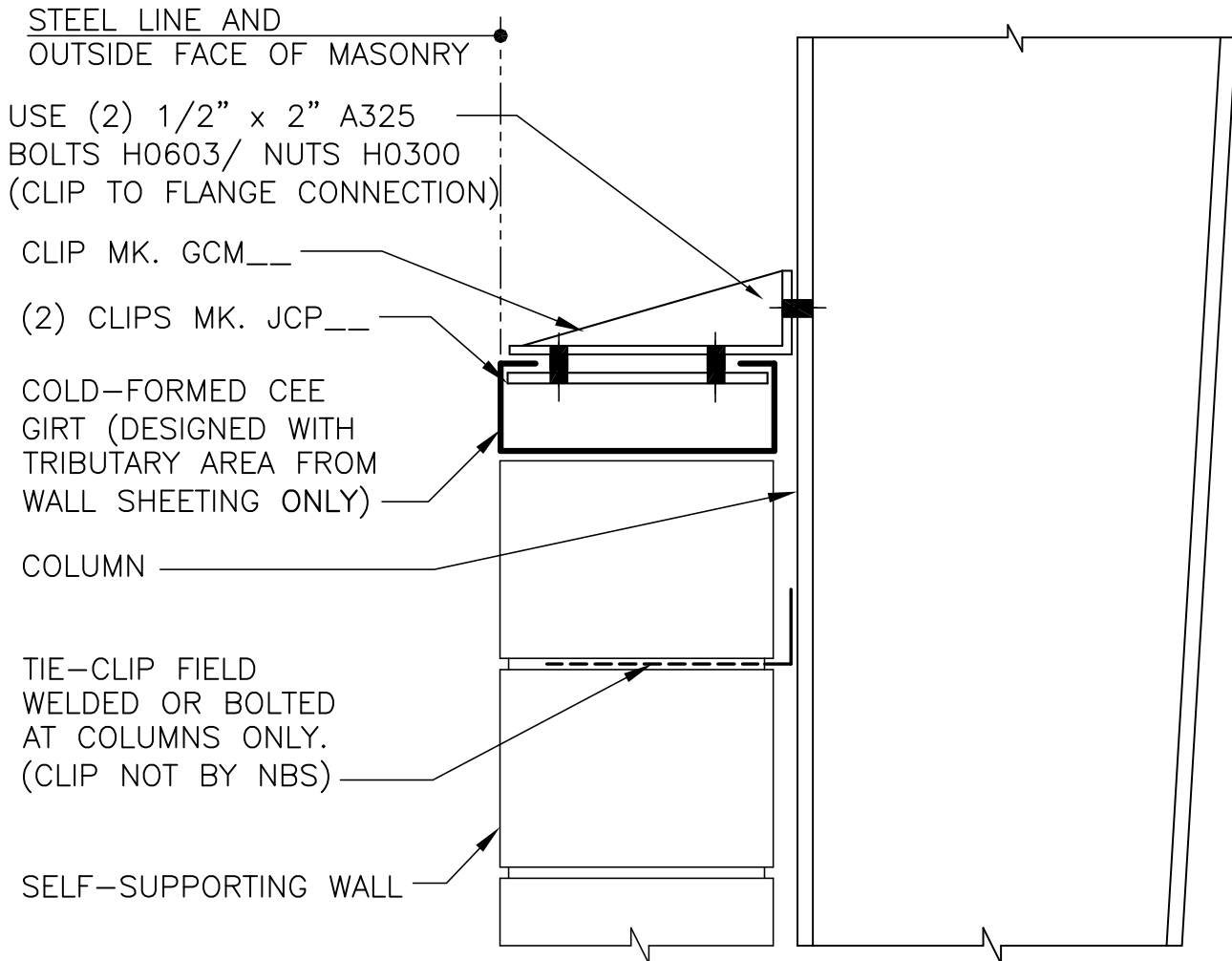
4.10.34



PRODUCT & ENGINEERING MANUAL

G: SHEAR WALL DETAILS

LG0010 – PARTIAL HEIGHT MASONRY (COLD-FORMED CEE GIRT ON TOP OF WALL)



STANDARD DETAIL FOR SELF-SUPPORTING MASONRY

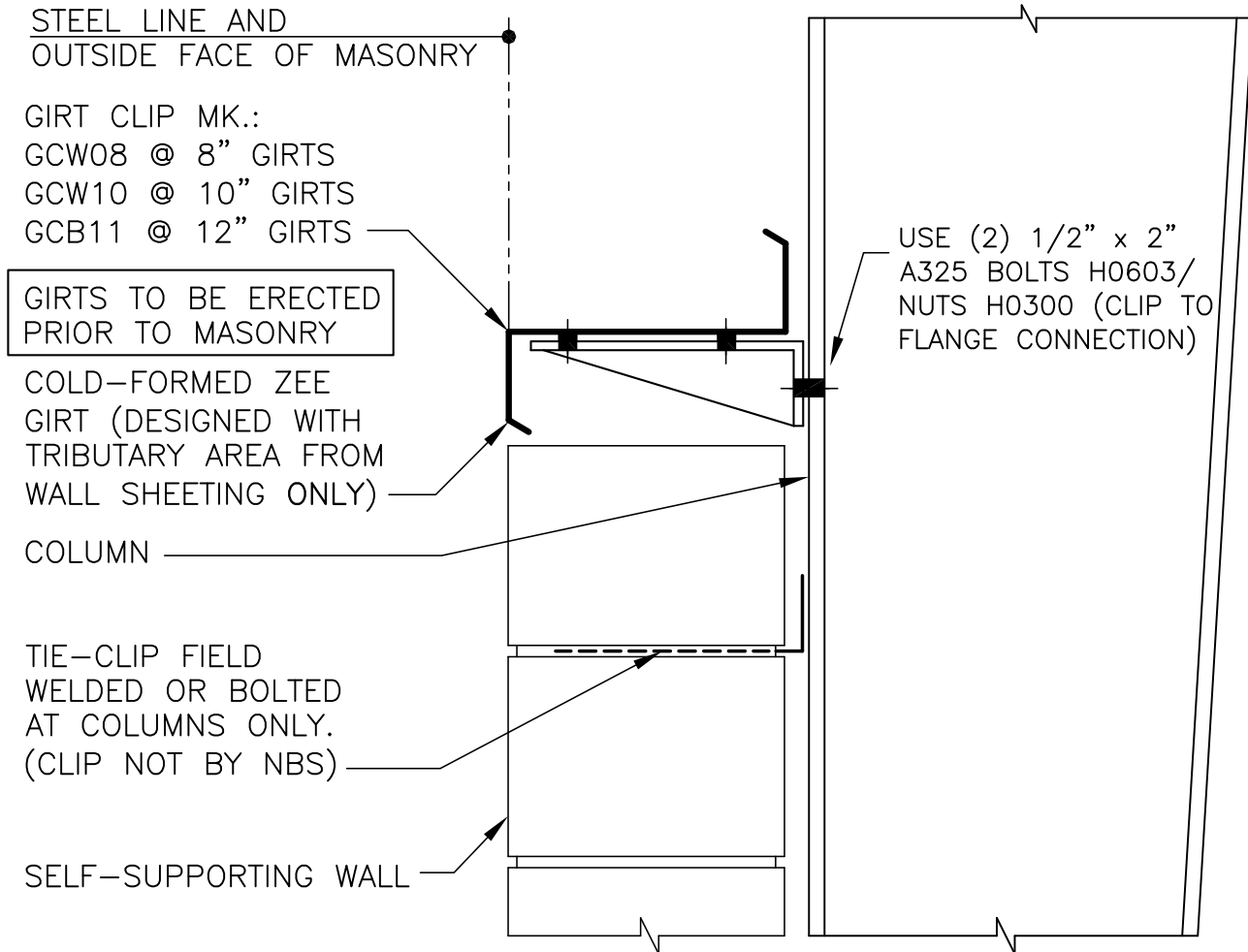
PARTIAL HEIGHT MASONRY (BASE CEE ON TOP OF WALL)
USE (4) 1/2" x 1 1/4" A307 BOLTS (H0500) NUTS (H0400)
REFERENCE REFLECTOR NOTE FOR TYPICAL WASHER REQUIREMENTS

LG0010



PRODUCT & ENGINEERING MANUAL

LG0020 – PARTIAL HEIGHT MASONRY (COLD-FORMED ZEE GIRTS ON TOP OF WALL)



OPTIONAL DETAIL FOR SELF-SUPPORTING MASONRY

PARTIAL HEIGHT MASONRY (BASE ZEE ON TOP OF WALL)
USE (4) 1/2" x 1 1/4" A307 BOLTS (H0500) NUTS (H0400)
REFERENCE REFECTOR NOTE FOR TYPICAL WASHER REQUIREMENTS

LG0020