

NUCOR

BUILDING SYSTEMS GROUP

Knock Down Doors

by Dominion

- KD (Knock Down) - All components are shipped together for field assembly for maximum versatility and economy
- 20 Gage galvaneal leaf meets SDI commercial standard
- Insulated door*
- 16 gage galvaneal frame meets ADI commercial standard
- 5 3/4" kerf weatherseal frame for best air infiltration performance
- Grade II commercial lever standard
- ADA approved aluminum threshold
- Vinyl door sweep included
- Painted with pre-finished primer
- All heavy duty reinforcements
- Commercial 4 1/2" powder coat BB hinges
- Available in white or brown

*More detailed door leaf info available



Dominion
Building Products

Double Door Options

Nucor will provide:

Single Active System
 One Lock, Surface Bolts,
 One Closer (optional),
 One Lite Kit (optional)
 Panic (optional)

18 Gage Doors Optional

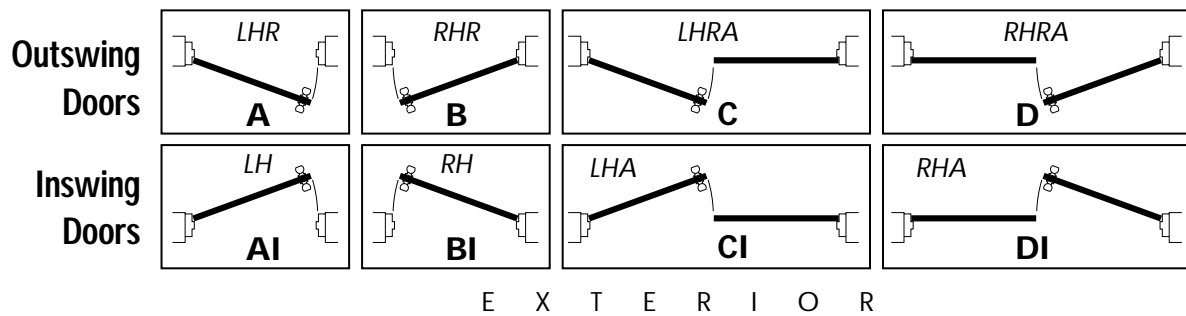


6070
 w/active
 leaf
 (Optional
 window
 and panic
 in active
 door)



3070 &
 4070
 (Optional
 window
 and
 panic)

Dominion Building Products Handling System



Inswing is not suitable for most exterior applications due to commercial codes and lesser weather barrier protection.

Hardware Options



Lever Lock



Panic Device with Lever



Heavy Duty Closer



Security Latchguard



Mortise Lock with Lever



Lite Kits

(Half Glass: 24" x 30" Tempered)
 (Half Glass: 24" x 30" Insulated)
 (Narrow Vision: 6" x 30" Tempered)
 (Narrow Vision: 6" x 30" Insulated)
 (Vision Lite: 16" x 16" Tempered)
 (Vision Lite: 16" x 16" Insulated)
 White or Brown Color Options

NUCOR

BUILDING SYSTEMS GROUP

www.nucorbuildingsystems.com

305 Industrial Parkway
 Waterloo, IN 46793
 260-837-7891
 Fax: 260-837-7384

200 Whetstone Road
 Swansea, SC 29160
 803-568-2100
 Fax: 803-568-2121

210 Granite Run Drive, Suite 280
 Lancaster, PA 17601
 717-735-7766
 Fax: 717-735-7769

600 Apache Trail
 Terrell, TX 75160
 972-524-5407
 Fax: 972-524-5417

1050 North Watery Lane
 Brigham City, UT 84302
 435-734-4429
 Fax: 435-734-4555