



### TABLE OF CONTENTS

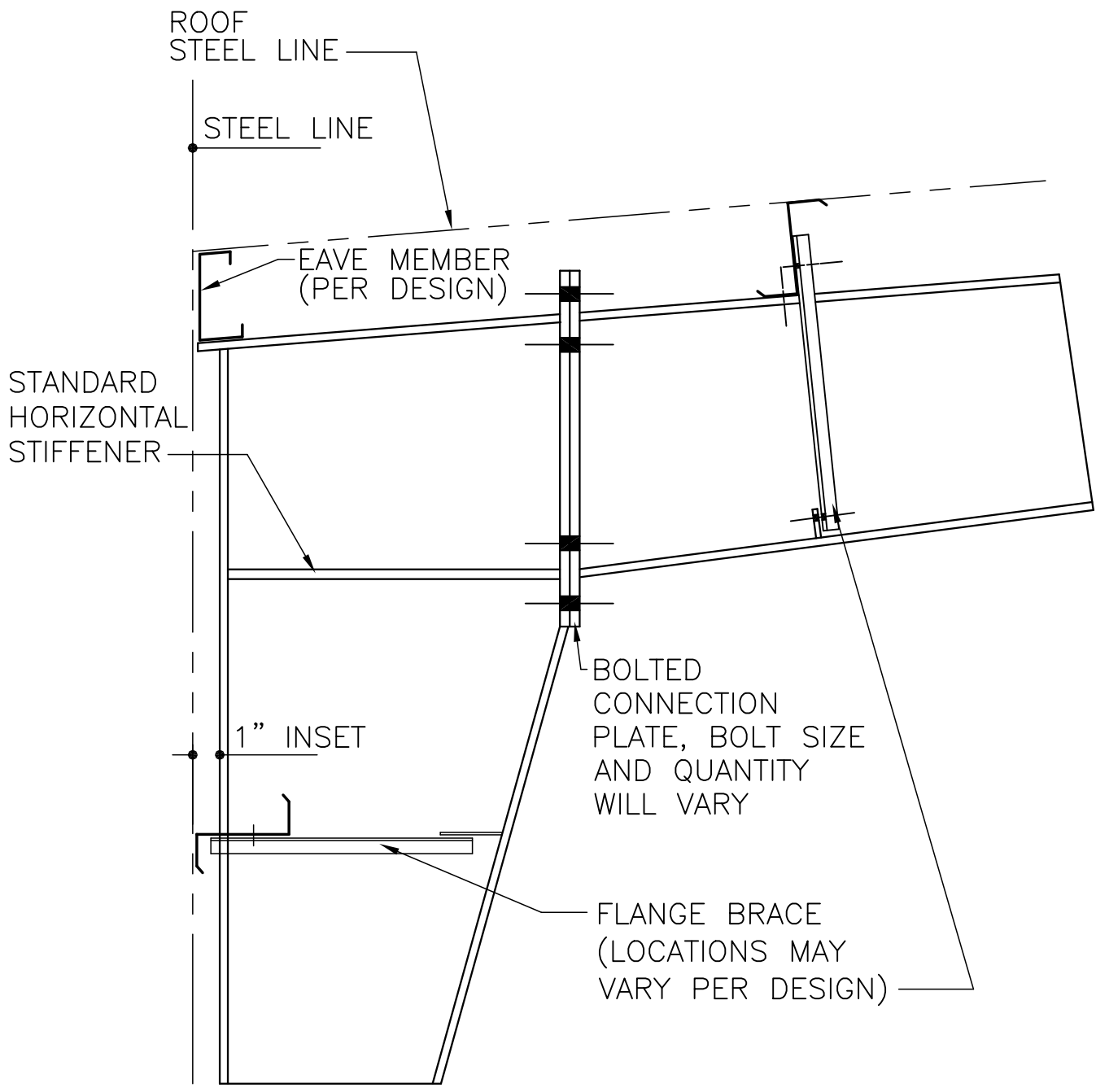
Table of Contents.....	1
Rigid Frame .....	3
FD0010PE – Rigid Frame Knee W/Purlins Low Eave – Inset .....	3
FD0020PE – Rigid Frame Knee W/Purlins Low Eave - Bypass .....	4
FD0030PE – Rigid Frame Knee W/Joists Low Eave - Bypass .....	5
FD0040PE – Rigid Frame Knee W/Joists Low Eave – Inset .....	6
FD0050PE – Rigid Frame Rafter Splice.....	7
FD0060PE – Rigid Frame Rafter To Interior Column.....	8
FD0070PE – Rigid Frame Ridge Condition.....	9
FD0080PE – Rigid Frame Knee W/Purlins High Eave – Inset.....	10
FD0090PE – Rigid Frame Knee W/Purlins High Eave - Bypass .....	11
FD0100PE – Rigid Frame Knee W/Joists High Eave – Inset .....	12
FD0110PE – Rigid Frame Knee W/Joists High Eave - Bypass .....	13
Sidewall Wind Column .....	14
FD0120PE – Sidewall Wind Column W/Joists Low Eave – Inset .....	14
FD0130PE – Sidewall Wind Column W/Joists Low Eave - Bypass .....	15
FD0140PE – Sidewall Wind Column W/Joists High Eave – Inset.....	16
FD0150PE – Sidewall Wind Column W/Joists High Eave - Bypass .....	17
Post & Beam.....	18
FD0160PE – Endwall Corner Column W/Purlins Low Eave-(C.F. Col. & Rafter) 18	
FD0170PE – Endwall Corner Column W/Purlins Low Eave-(H - Section) .....	19
FD0180PE – Endwall Corner Column W/Joists Low Eave-(C.F.Column).....	20
FD0190PE – Endwall Corner Column W/Joists Low Eave - (H - Section).....	21
FD0200PE – Top Of Endwall Column (C.F. Col. & Rafter).....	22
FD0210PE – Top Of Endwall Column (H - Section) .....	23
FD0220PE – Endwall Ridge W/Center Column (C.F. Rafter).....	24
FD0230PE – Endwall Ridge Condition W/Center Column (H - Section).....	25
FD0240PE – Endwall Ridge Condition Without Center Column (H - Section) ....	26
FD0245PE – Endwall Ridge Condition Without Center Column (C.F. Rafter) ....	27
FD0250PE – Endwall Corner Column High Eave (C.F. Column) .....	28
FD0260PE – Endwall Corner Column High Eave (H - Section).....	29
FD0270PE – Endwall W/Purlins (C.F. Col. & Rafter) – Inset.....	30
FD0280PE – Endwall W/Purlins (H - Section) – Inset .....	31
FD0290PE – Endwall W/Purlins (C.F. Col. & Rafter) - Bypass.....	32
FD0300PE – Endwall W/Purlins (H - Section) - Bypass .....	33
FD0310PE – Endwall W/Joists (C.F. Column) – Inset.....	34



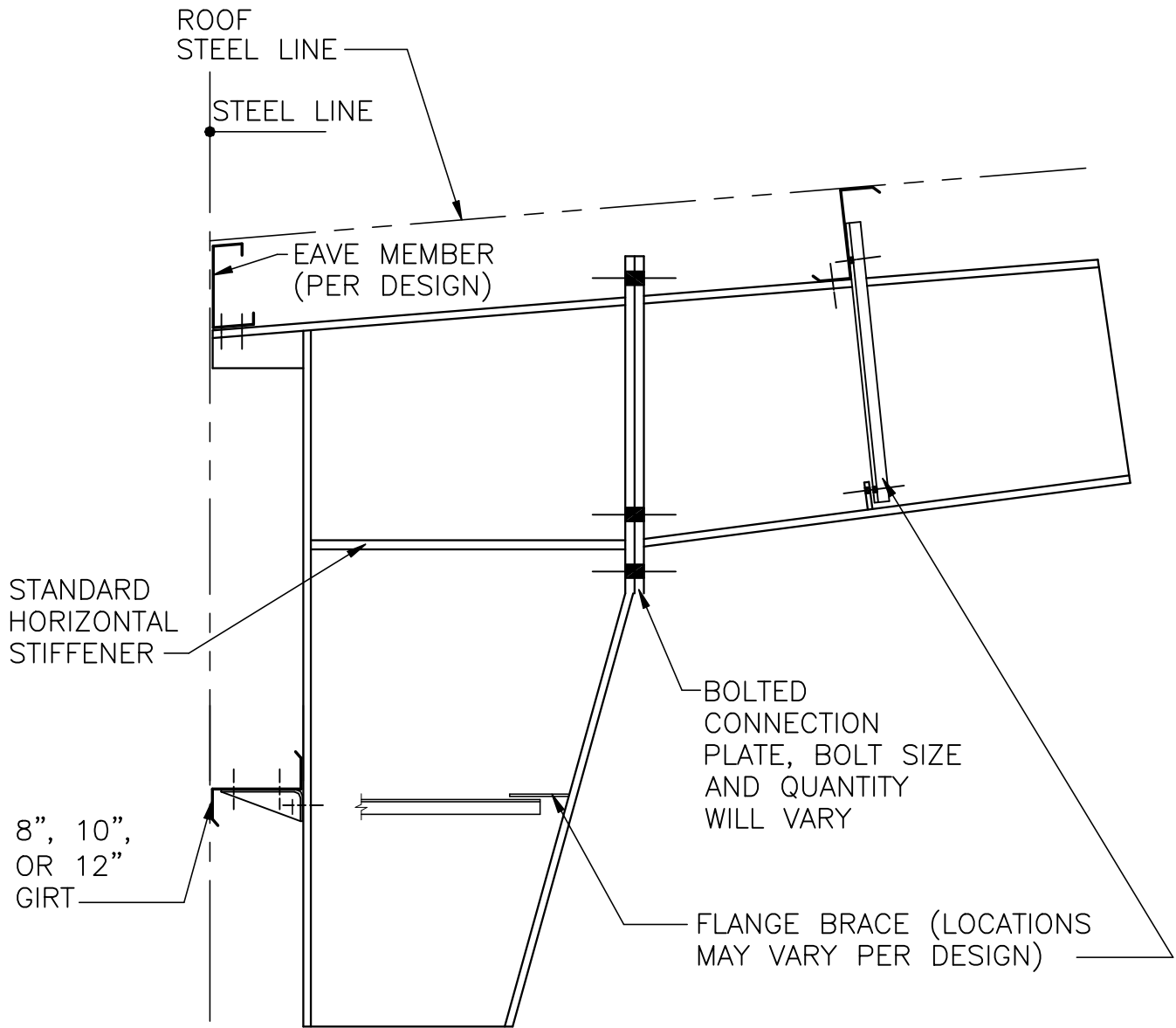
FD0330PE – Endwall W/Joists (H - Section) – Inset ..... 35  
FD0340PE – Endwall W/Joists (C.F. Column) - Bypass ..... 36  
FD0350PE – Endwall W/Joists (H - Section) - Bypass..... 37  
Rigid Frame Endwall..... 38  
FD0360PE – Rigid Frame Endwall W/Purlins – Inset..... 38  
FD0370PE – Rigid Frame Endwall W/Purlins - Bypass..... 39  
FD0380PE – Rigid Frame Endwall W/Joists – Inset..... 40  
FD0390PE – Rigid Frame Endwall W/Joists - Bypass ..... 41

### RIGID FRAME

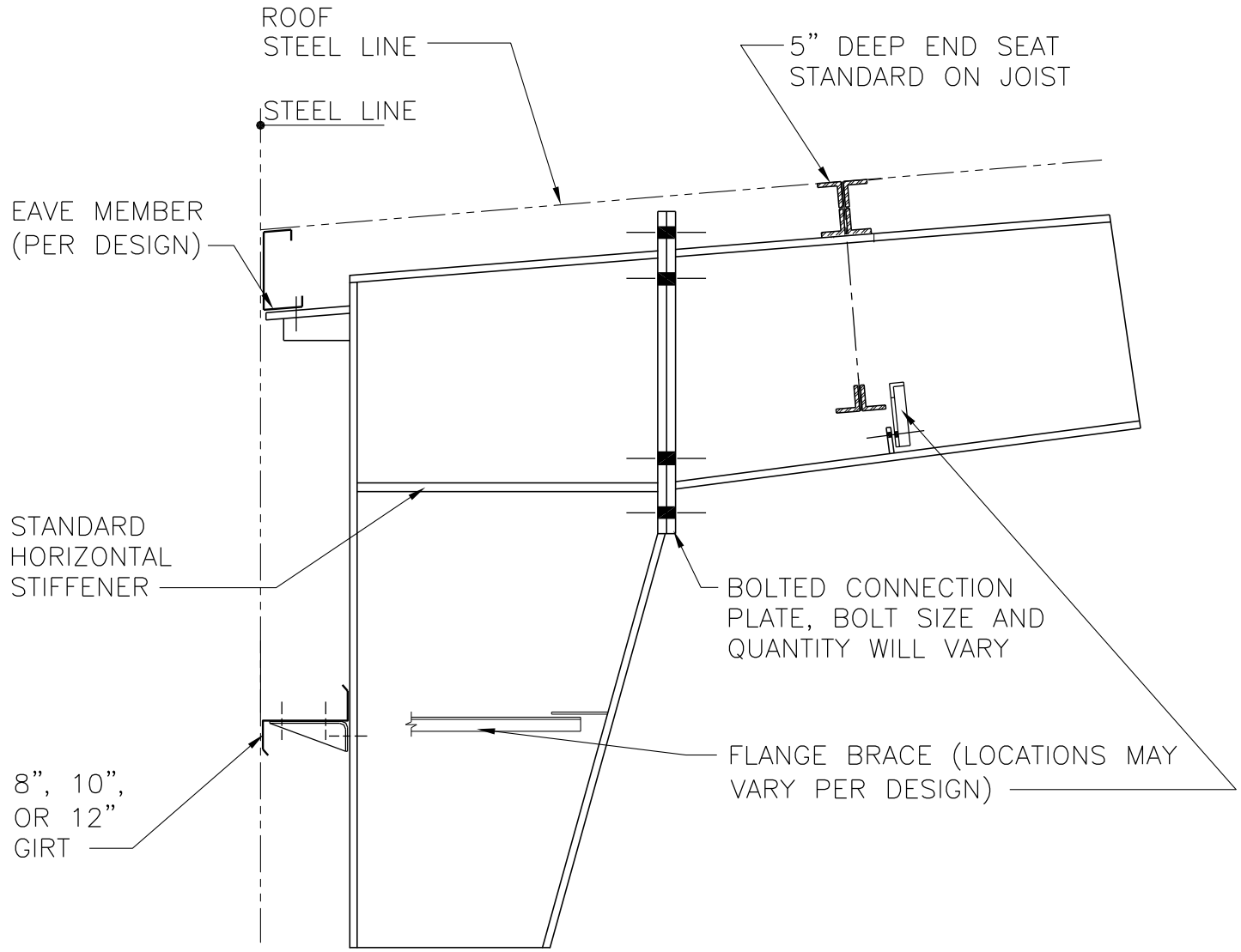
### FD0010PE – RIGID FRAME KNEE W/PURLINS LOW EAVE – INSET



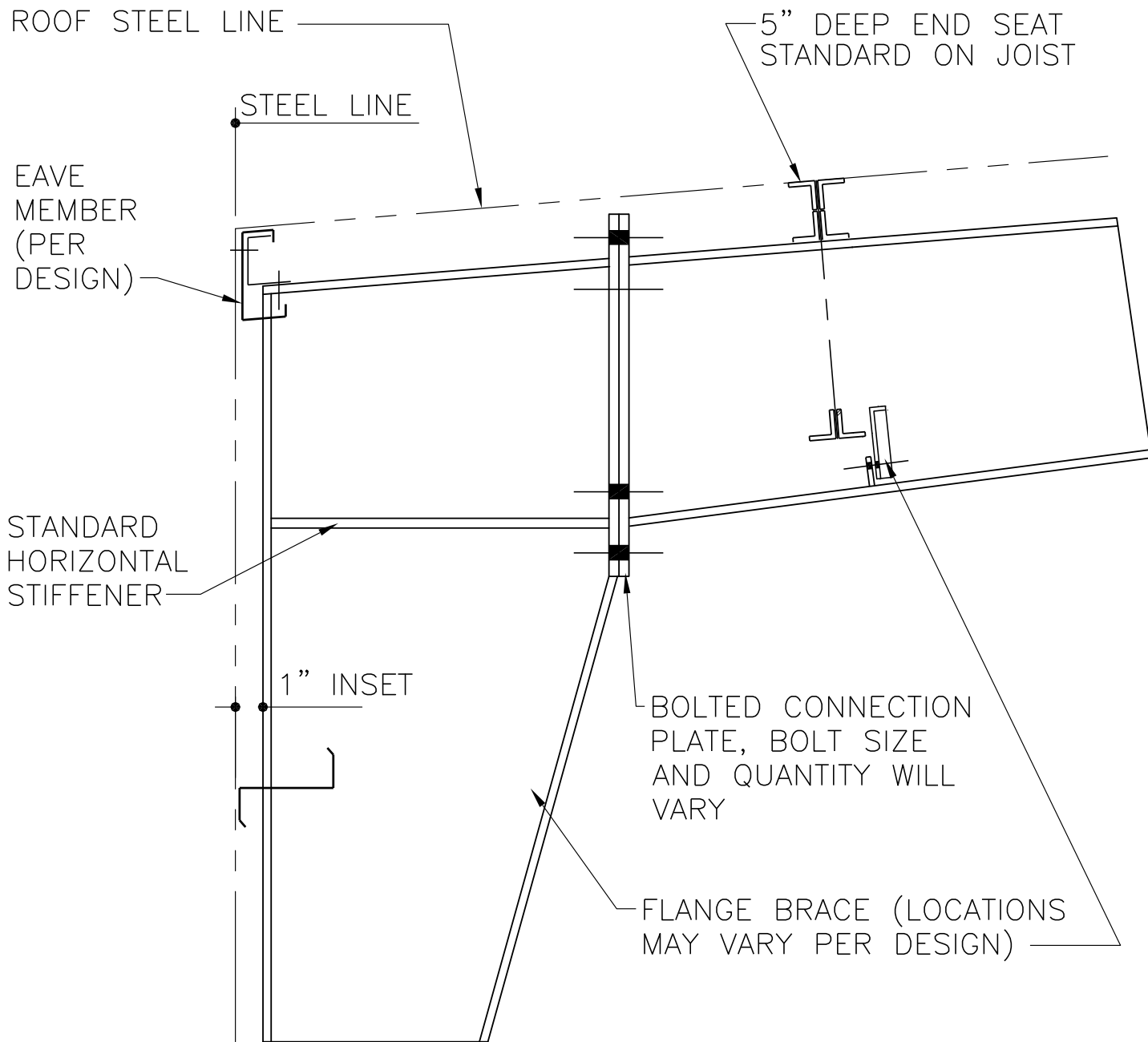
### FD0020PE – RIGID FRAME KNEE W/PURLINS LOW EAVE - BYPASS



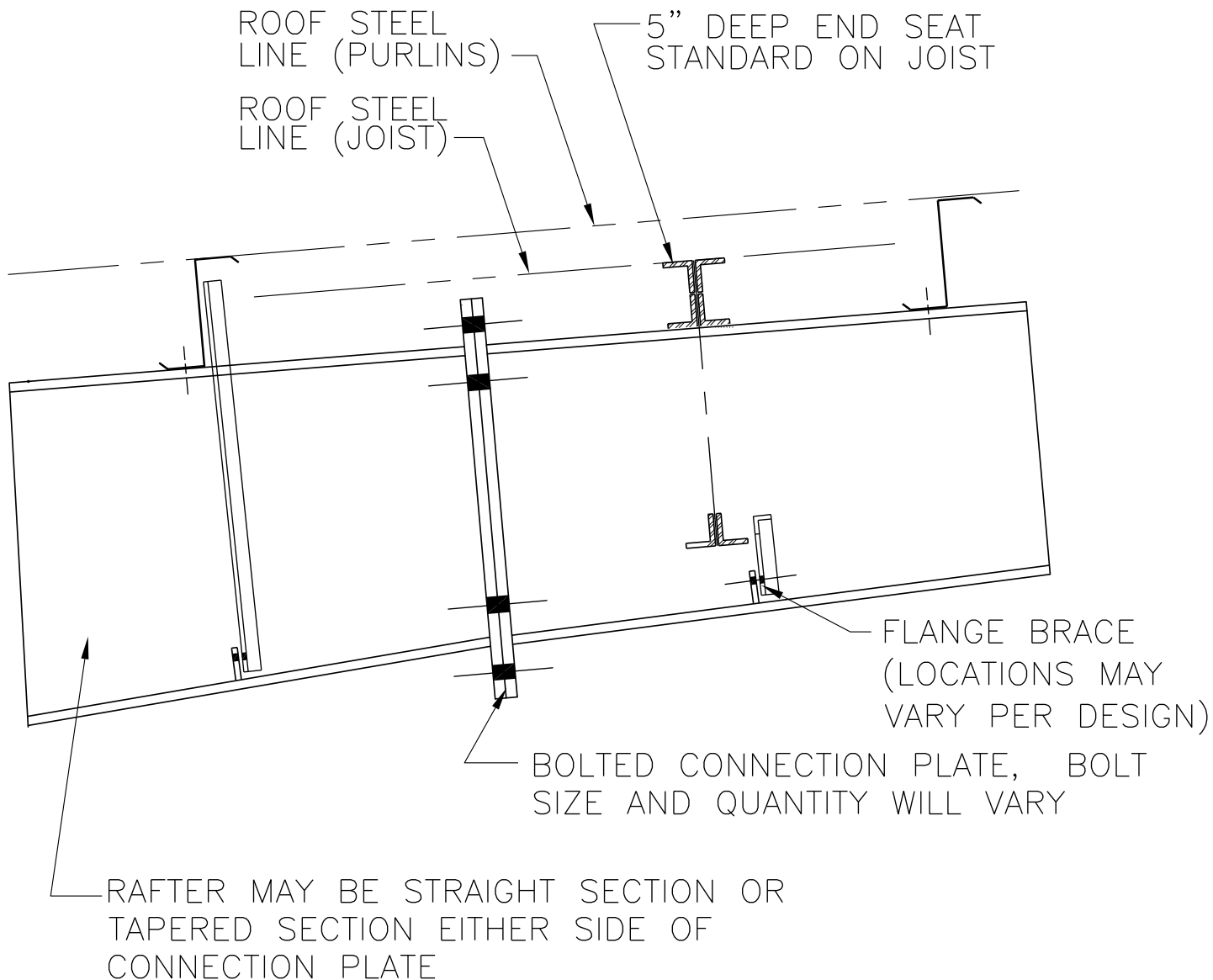
### FD0030PE – RIGID FRAME KNEE W/JOISTS LOW EAVE - BYPASS



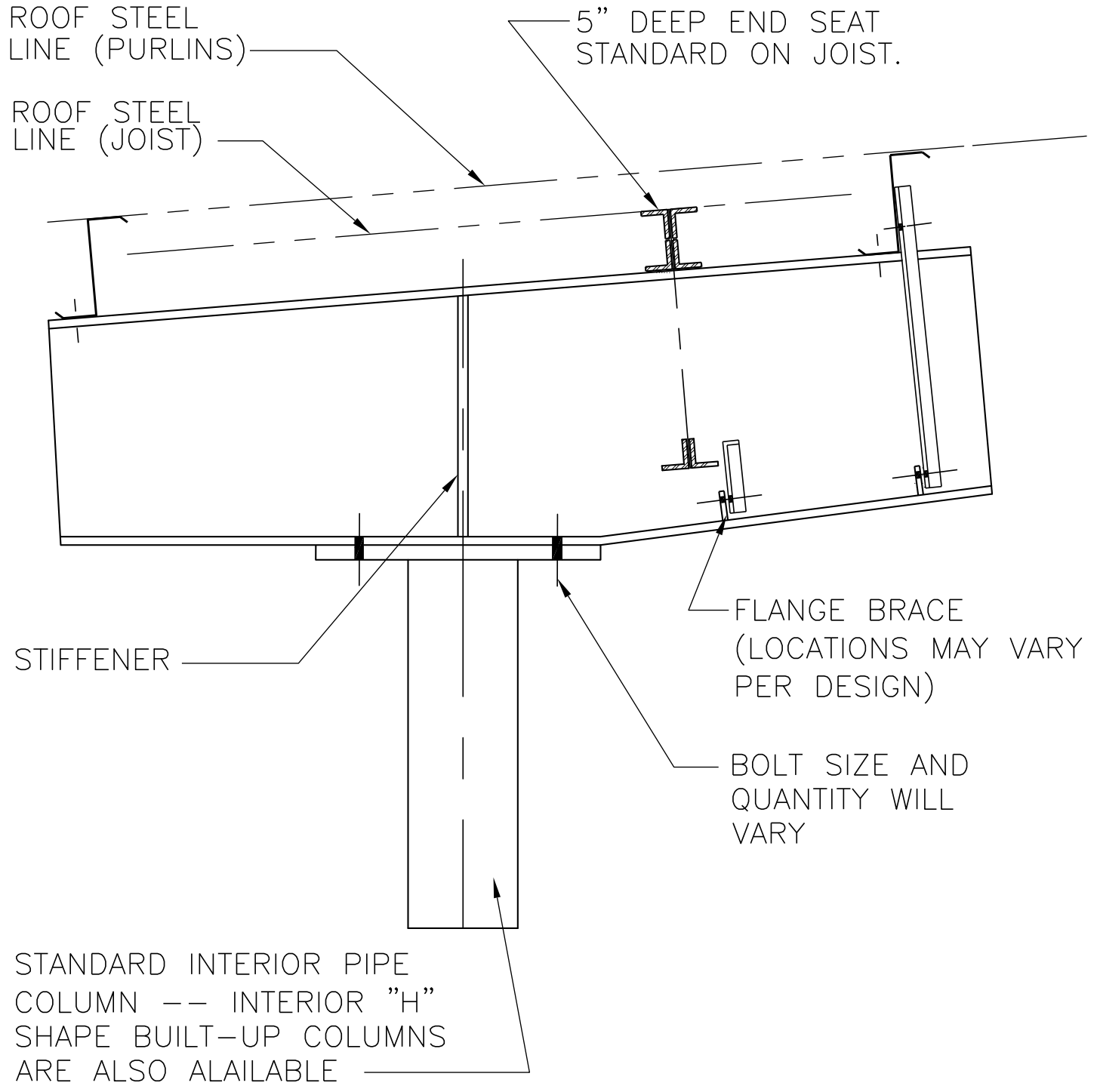
**FD0040PE – RIGID FRAME KNEE W/JOISTS LOW EAVE – INSET**



### FD0050PE – RIGID FRAME RAFTER SPLICE

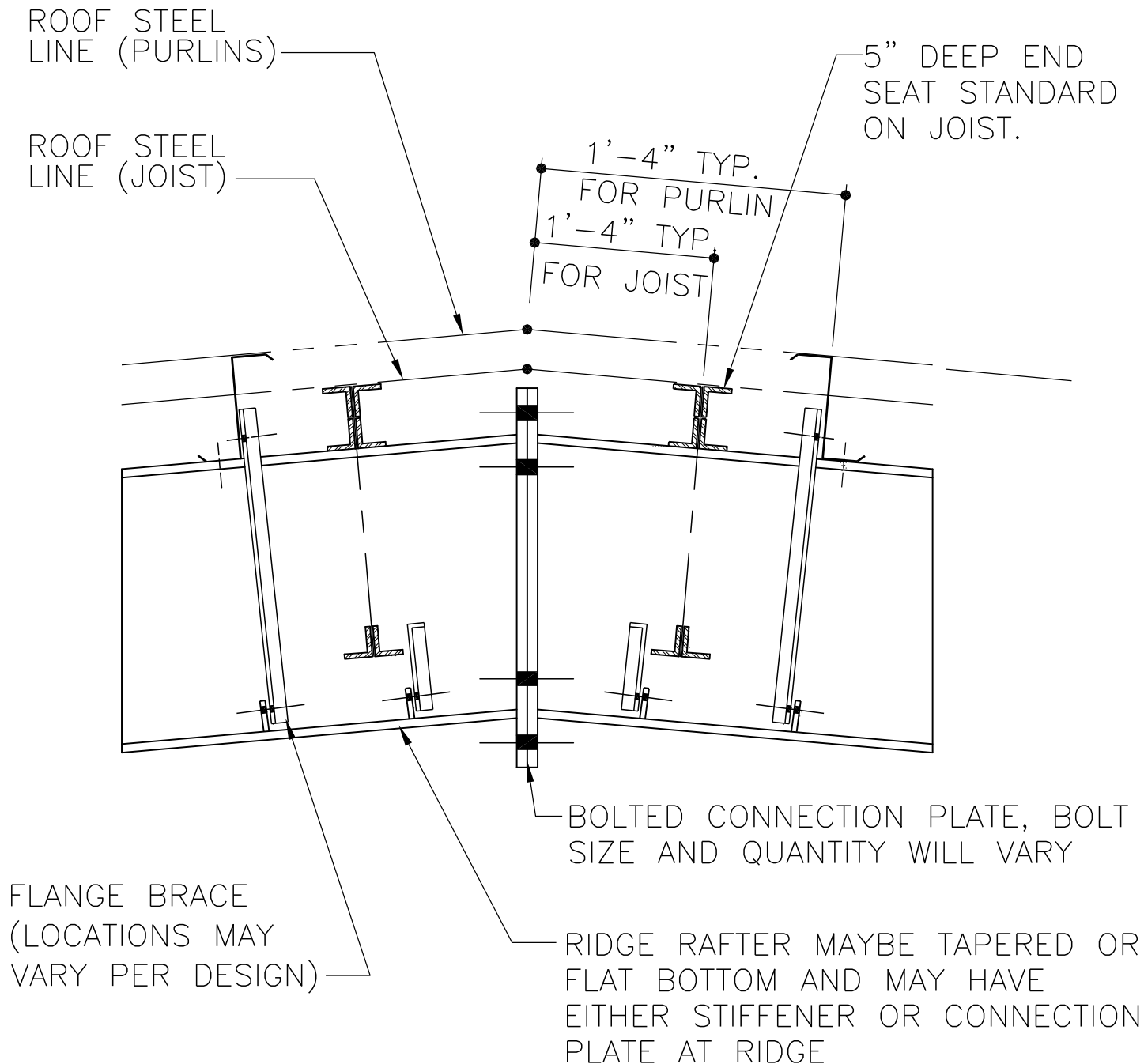


**FD0060PE – RIGID FRAME RAFTER TO INTERIOR COLUMN**

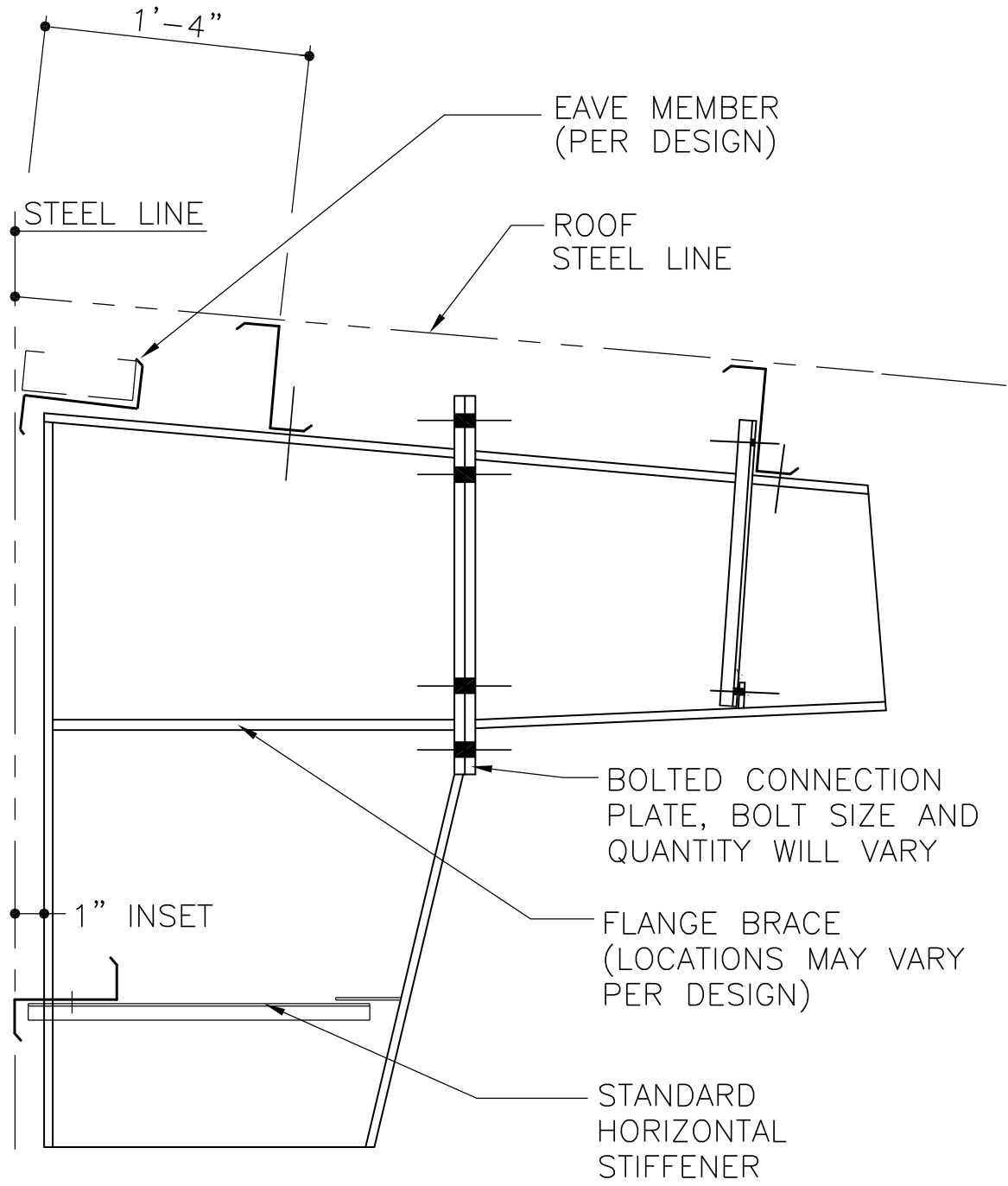




### FD0070PE – RIGID FRAME RIDGE CONDITION



**FD0080PE – RIGID FRAME KNEE W/PURLINS HIGH EAVE – INSET**

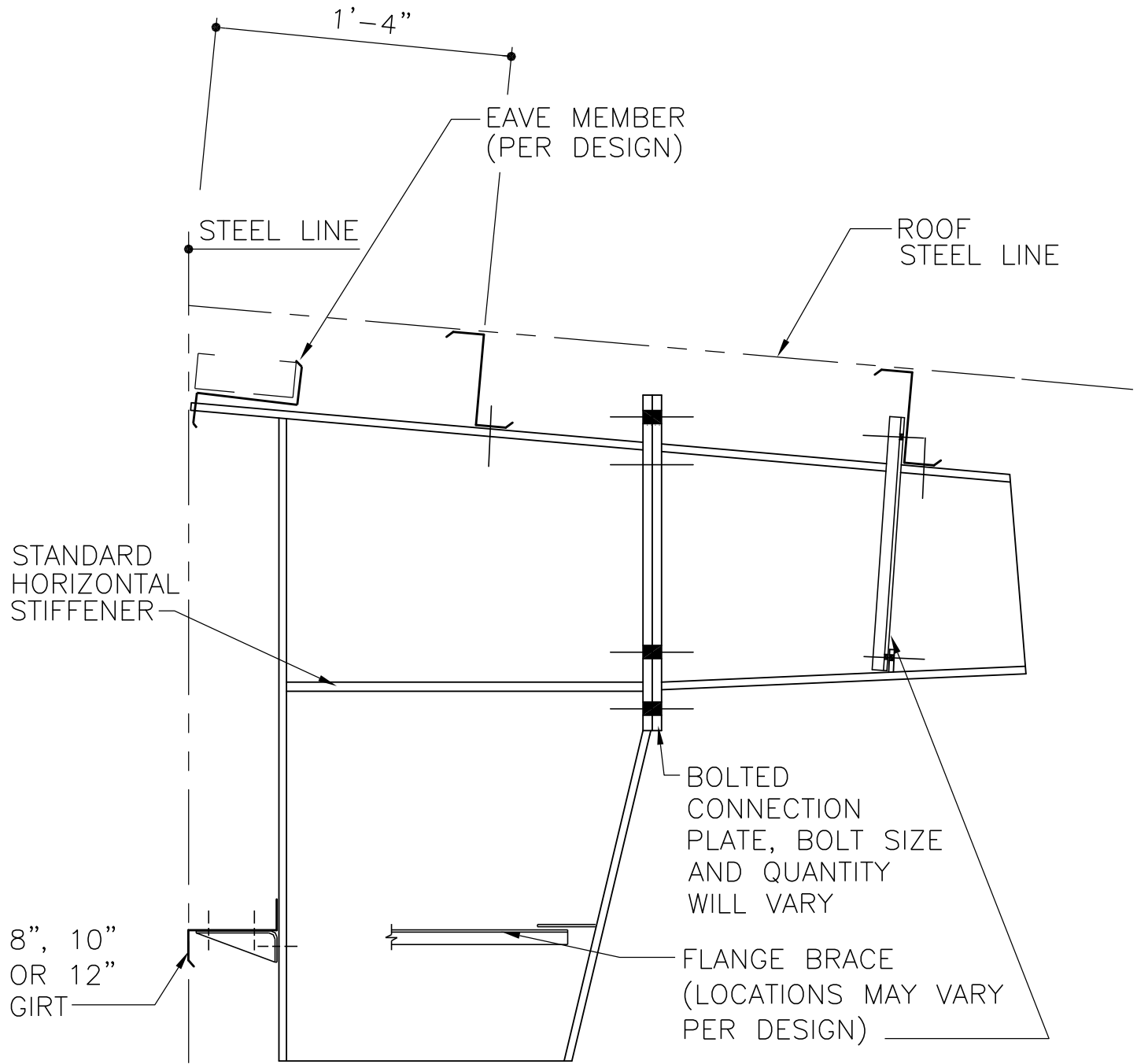


LAST REVISION  
 DATE: 02/09/0  
 BY: AES CHK: \_\_\_\_\_

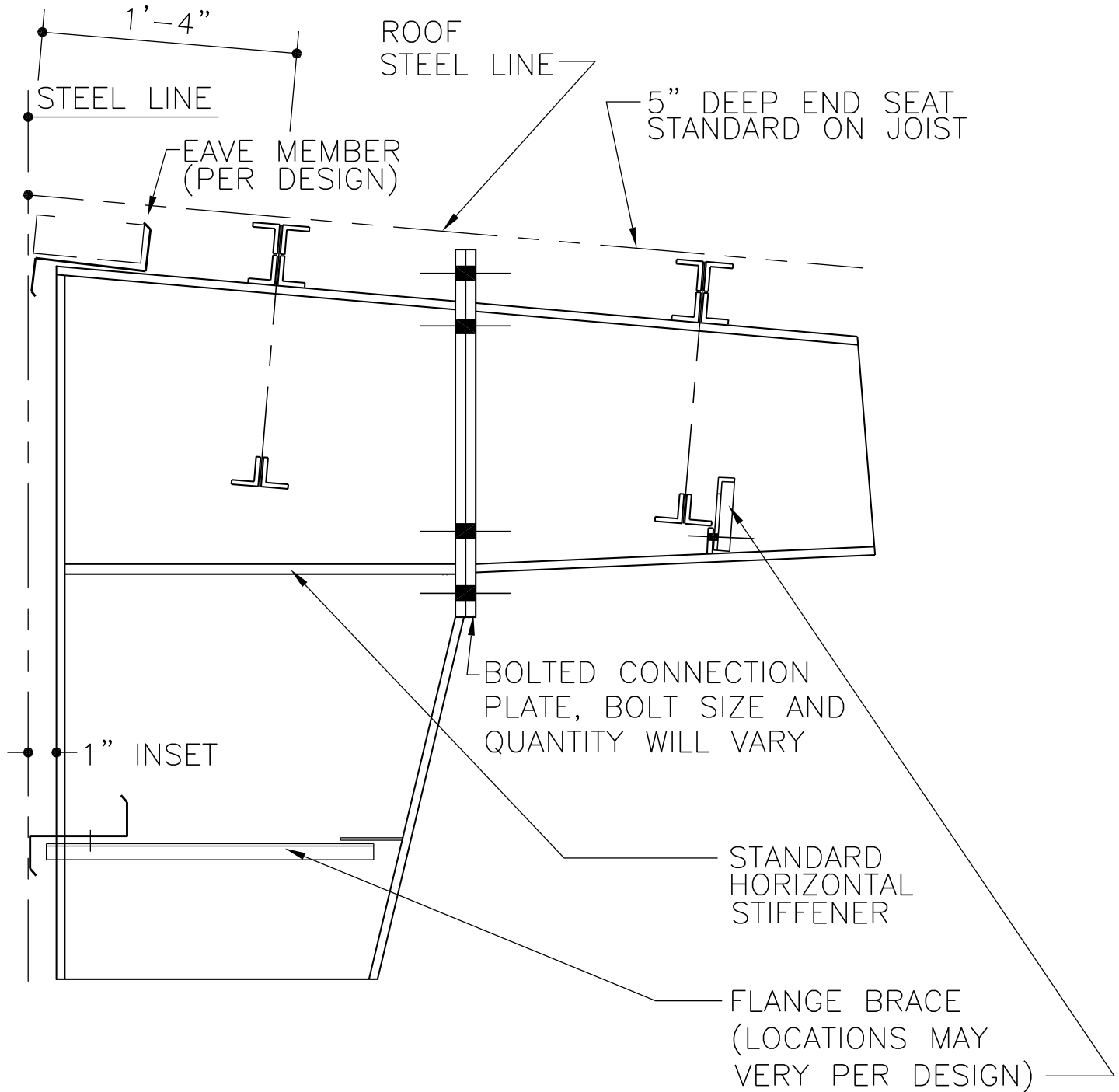
DETAIL NAME IF APPLICABLE  
**FD0080PE.DWG**

**11.1.10**

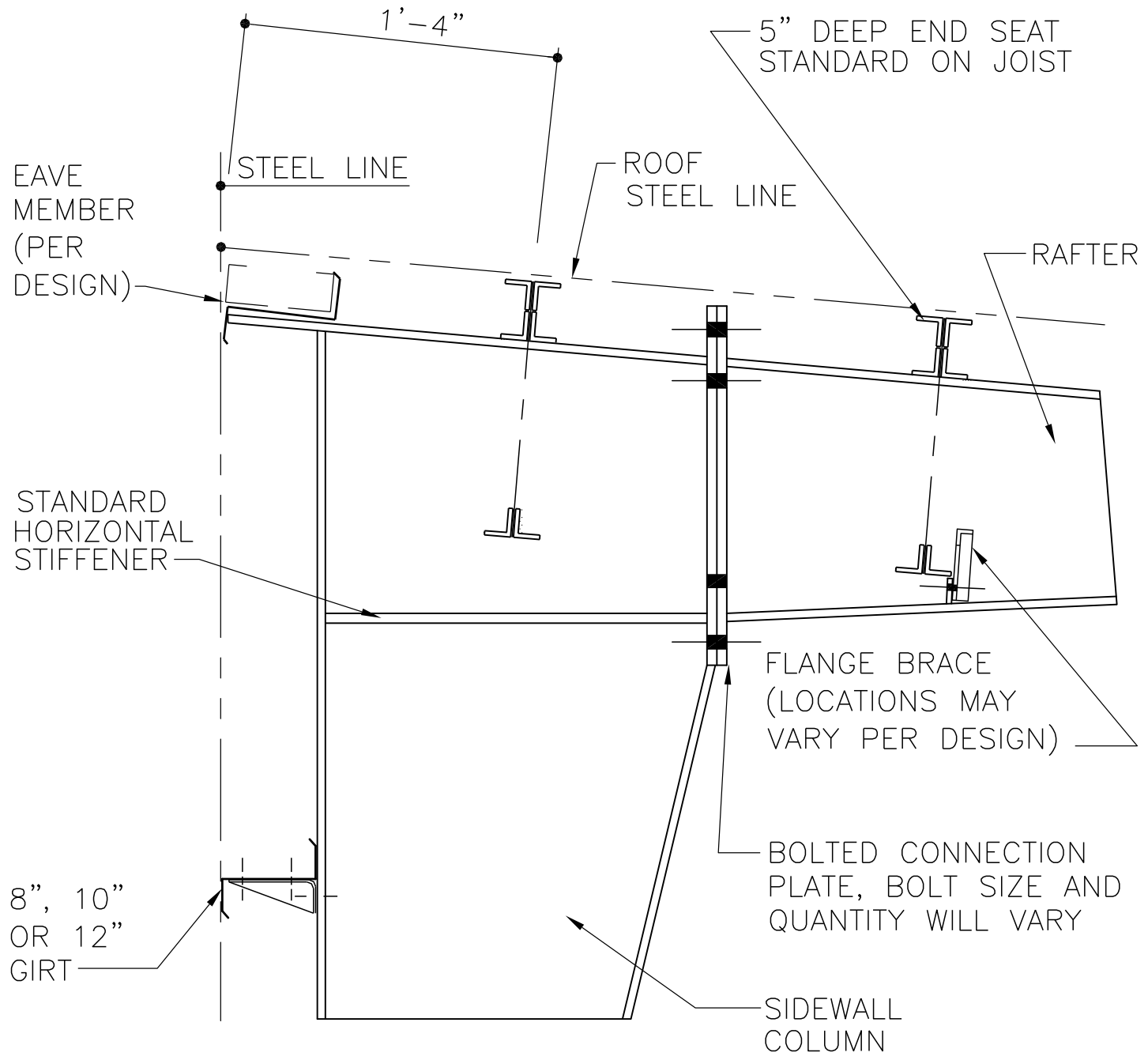
### FD0090PE – RIGID FRAME KNEE W/PURLINS HIGH EAVE - BYPASS



**FD0100PE – RIGID FRAME KNEE W/JOISTS HIGH EAVE – INSET**

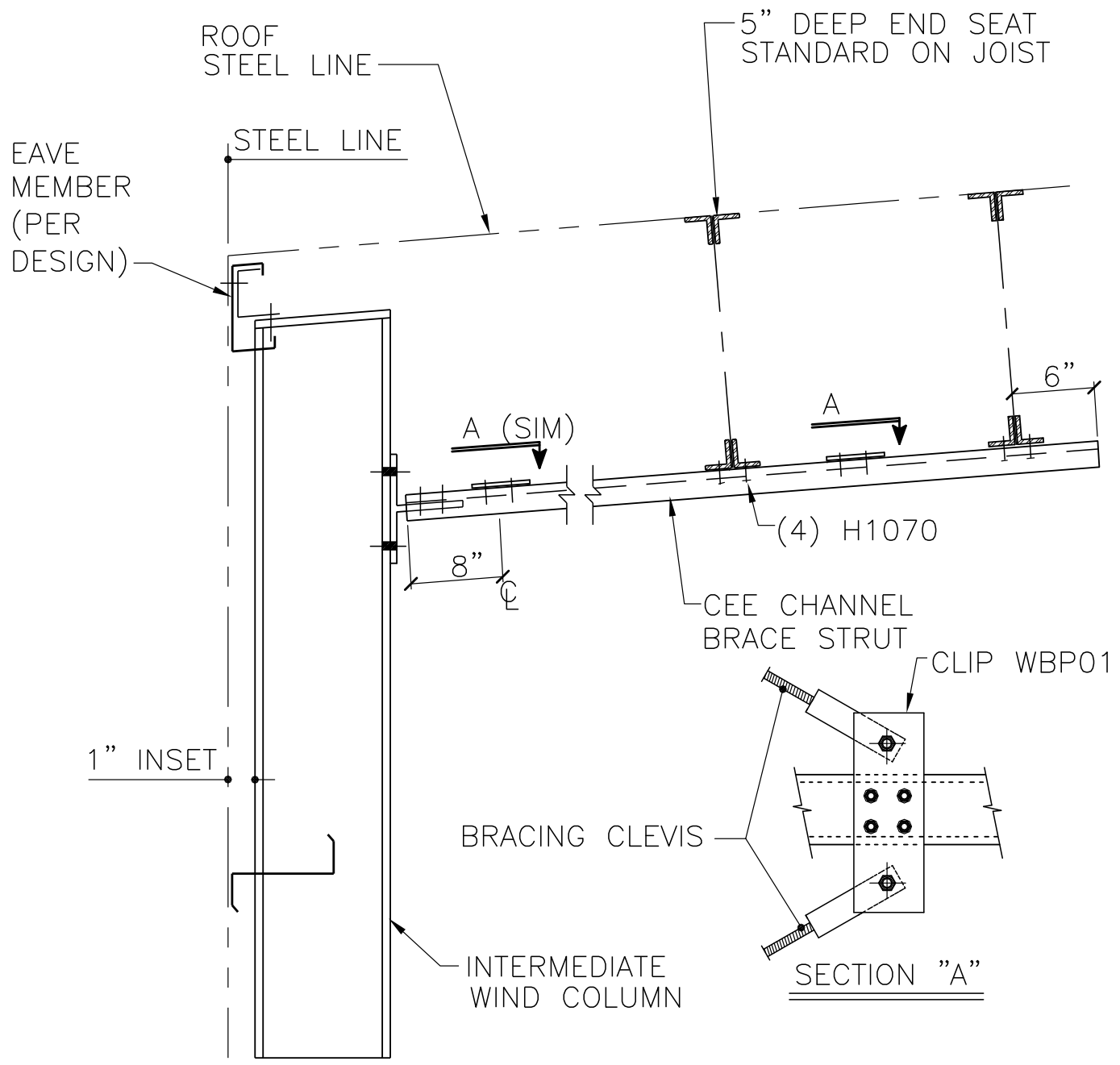


### FD0110PE – RIGID FRAME KNEE W/JOISTS HIGH EAVE - BYPASS

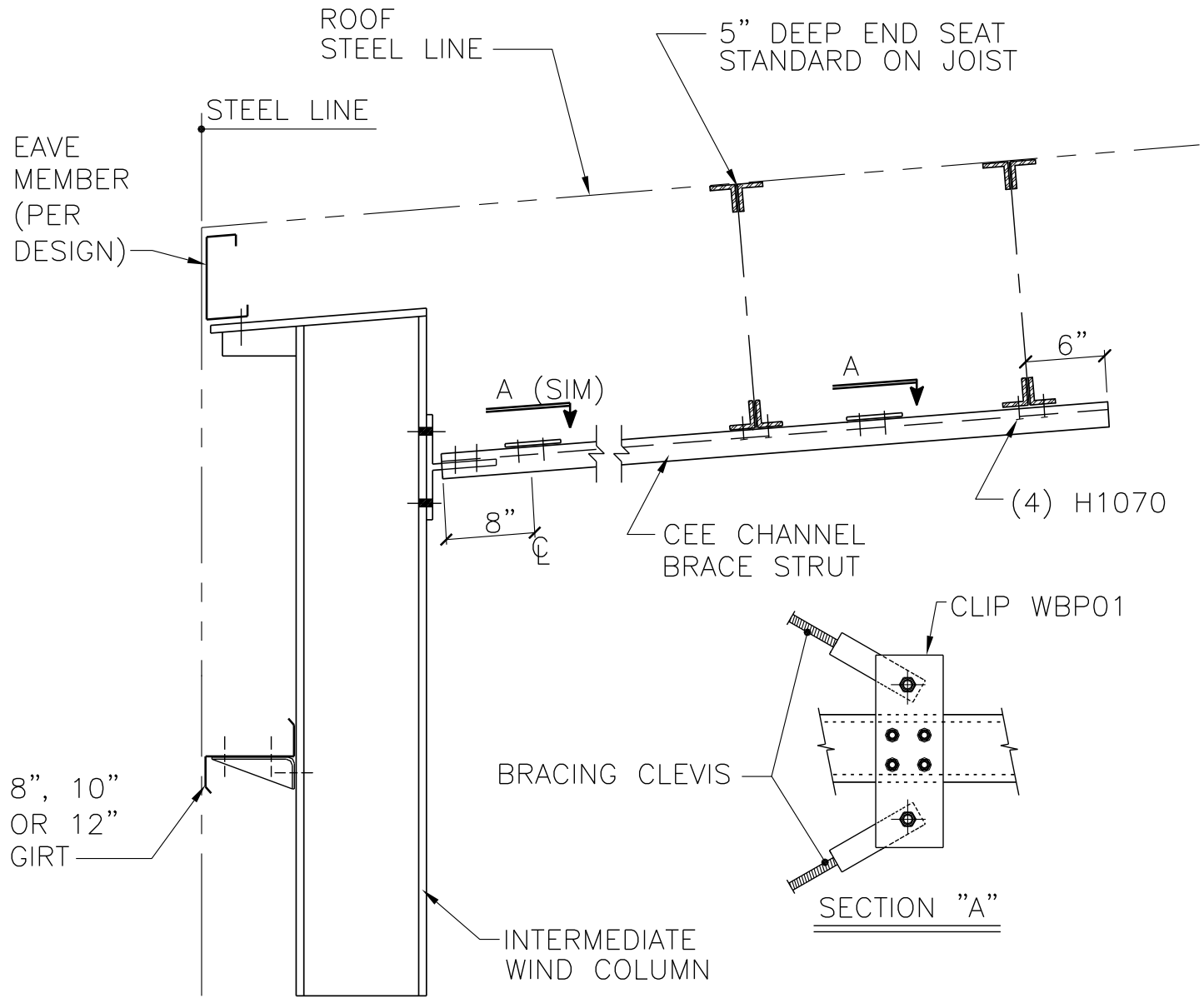


### SIDEWALL WIND COLUMN

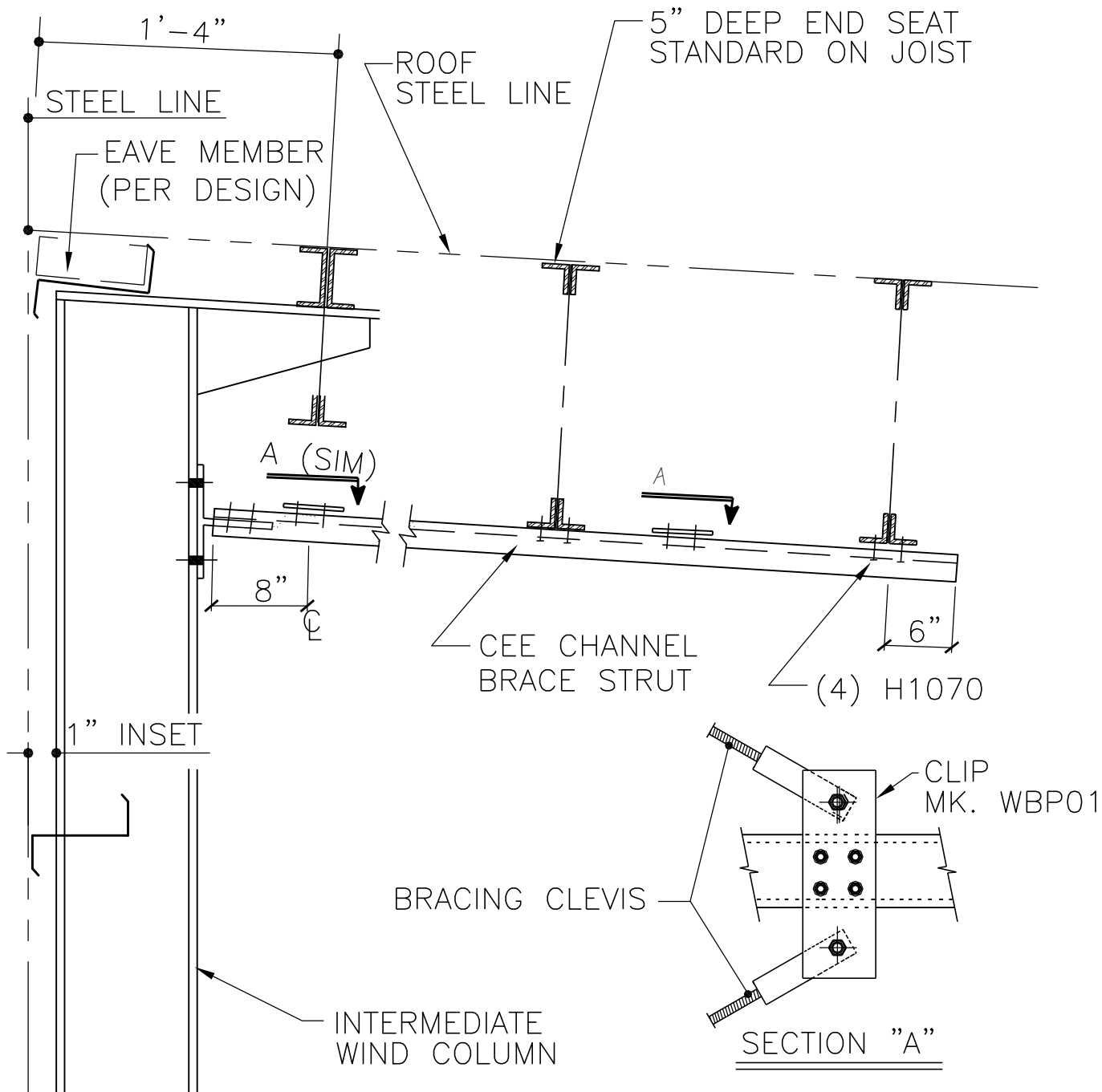
#### FD0120PE – SIDEWALL WIND COLUMN W/JOISTS LOW EAVE – INSET



### FD0130PE – SIDEWALL WIND COLUMN W/JOISTS LOW EAVE - BYPASS

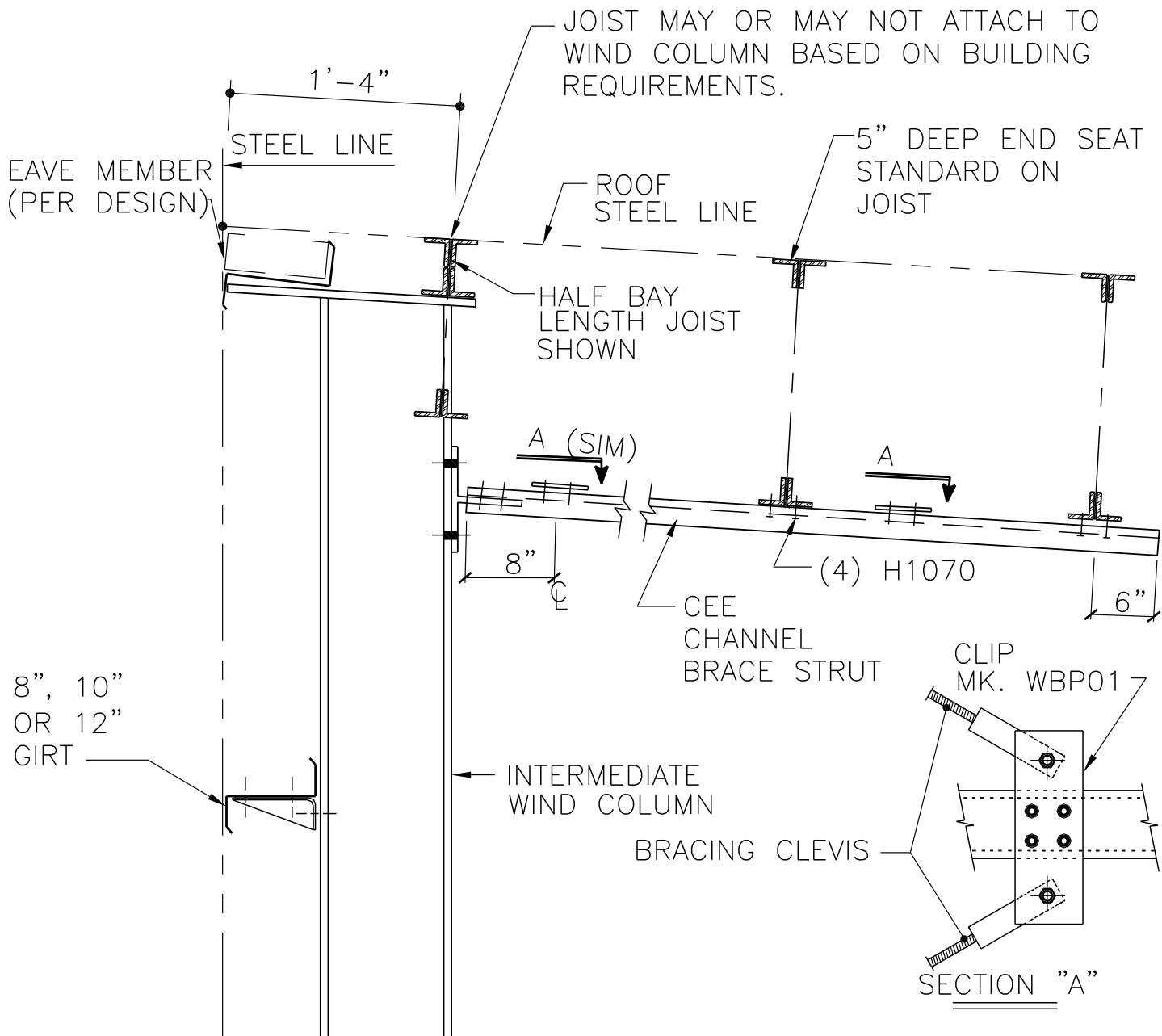


### FD0140PE – SIDEWALL WIND COLUMN W/JOISTS HIGH EAVE – INSET



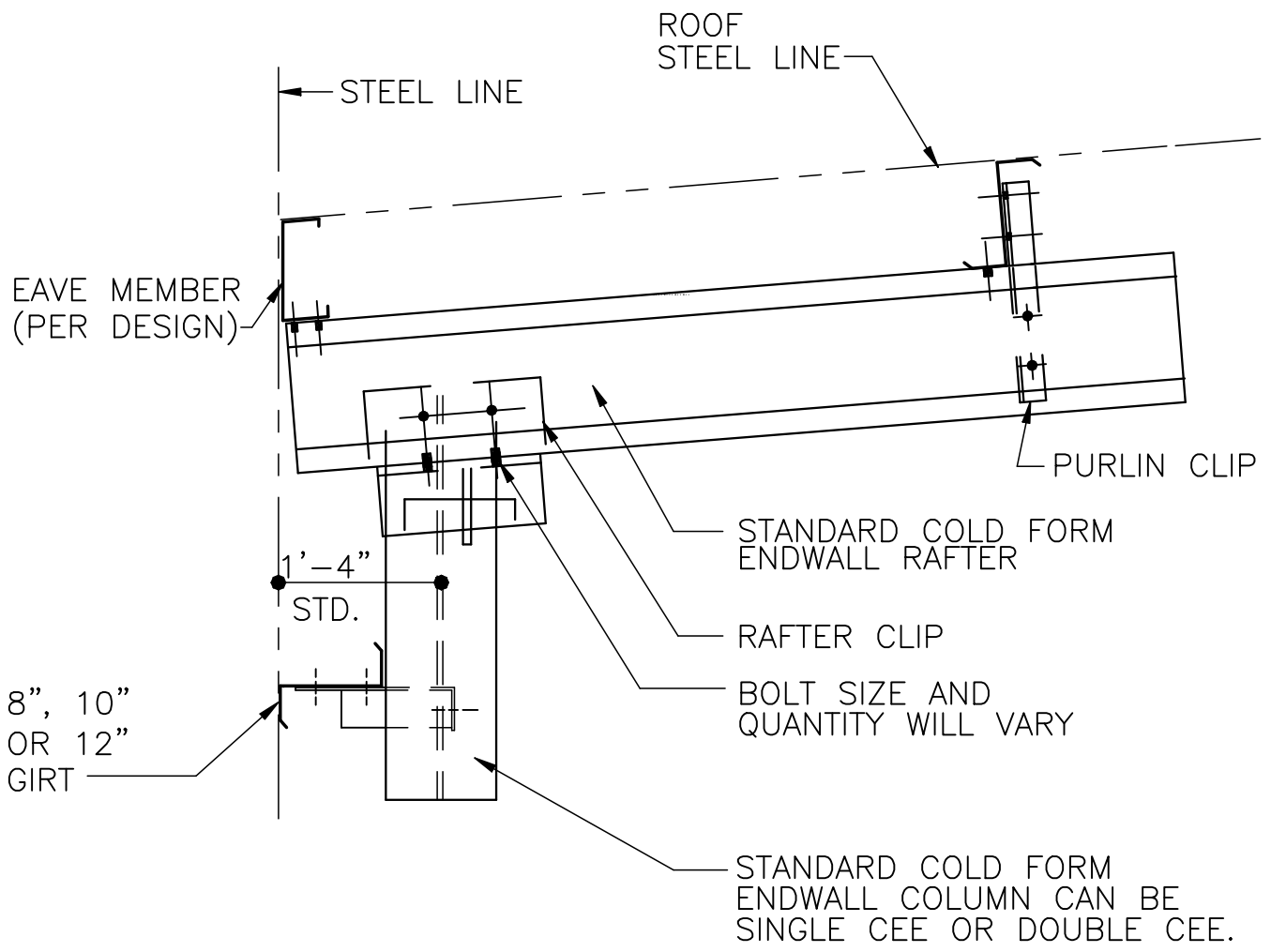


### FD0150PE – SIDEWALL WIND COLUMN W/JOISTS HIGH EAVE - BYPASS

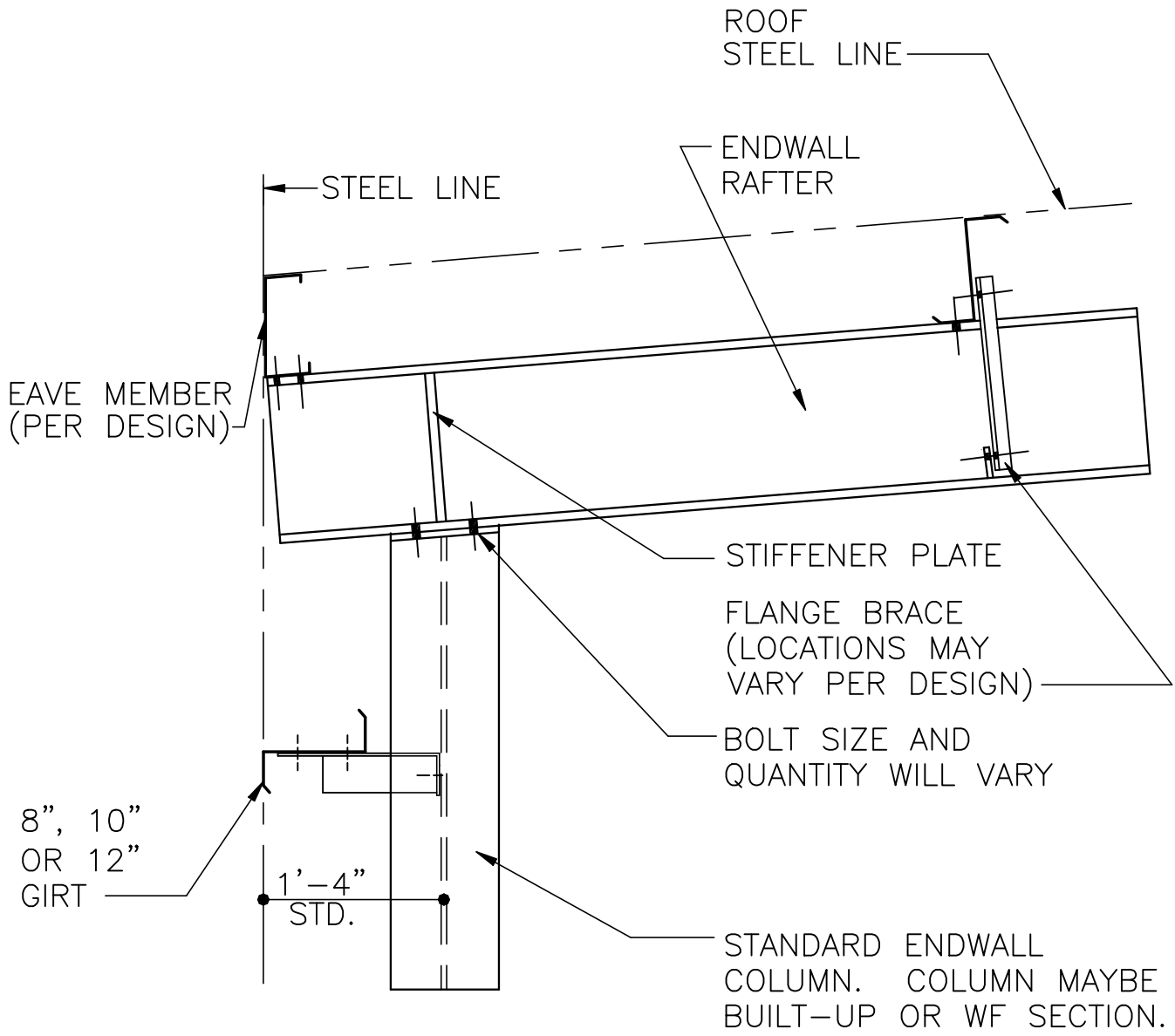


### POST & BEAM

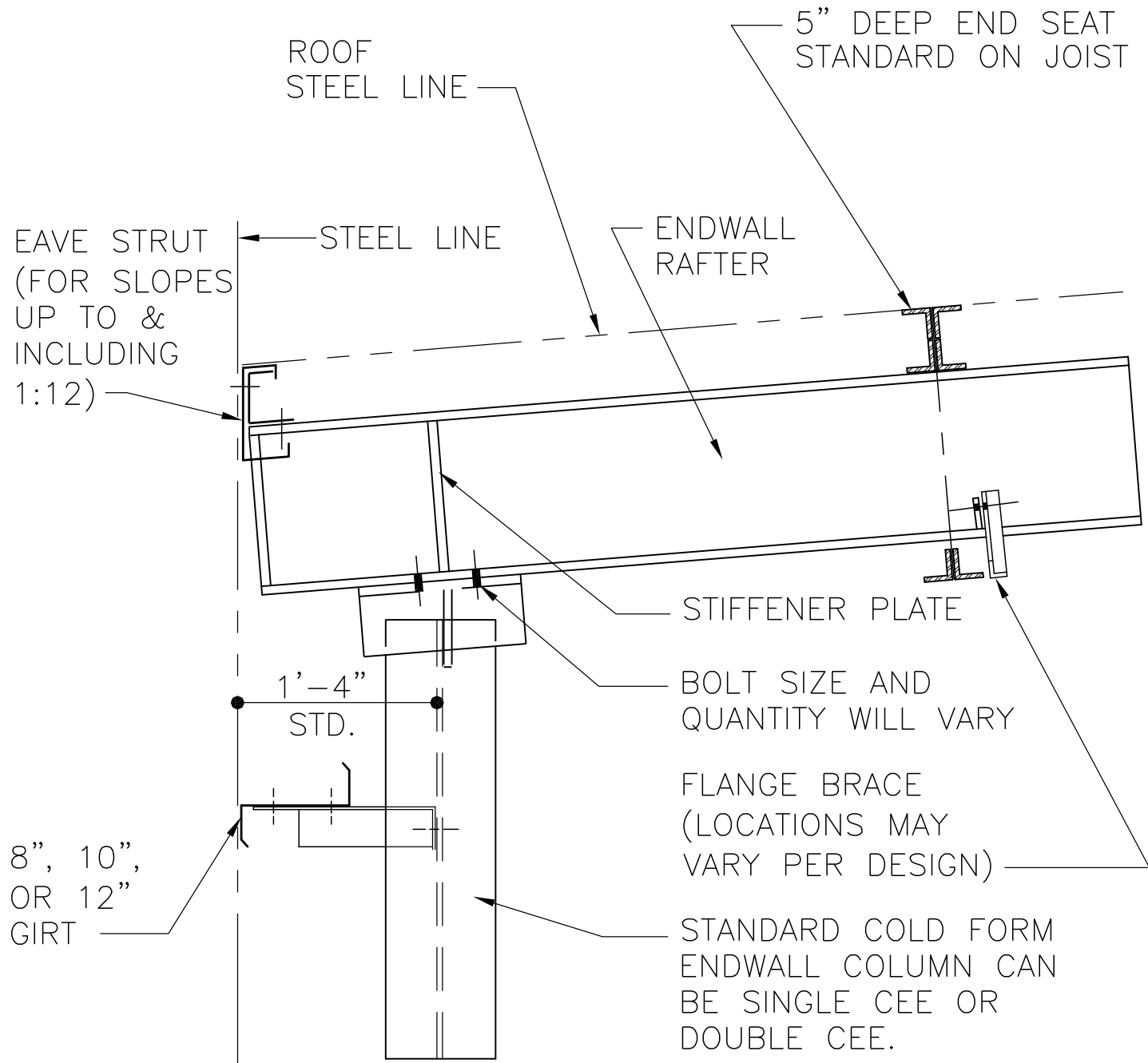
#### FD0160PE – ENDWALL CORNER COLUMN W/PURLINS LOW EAVE-(C.F. COL. & RAFTER)



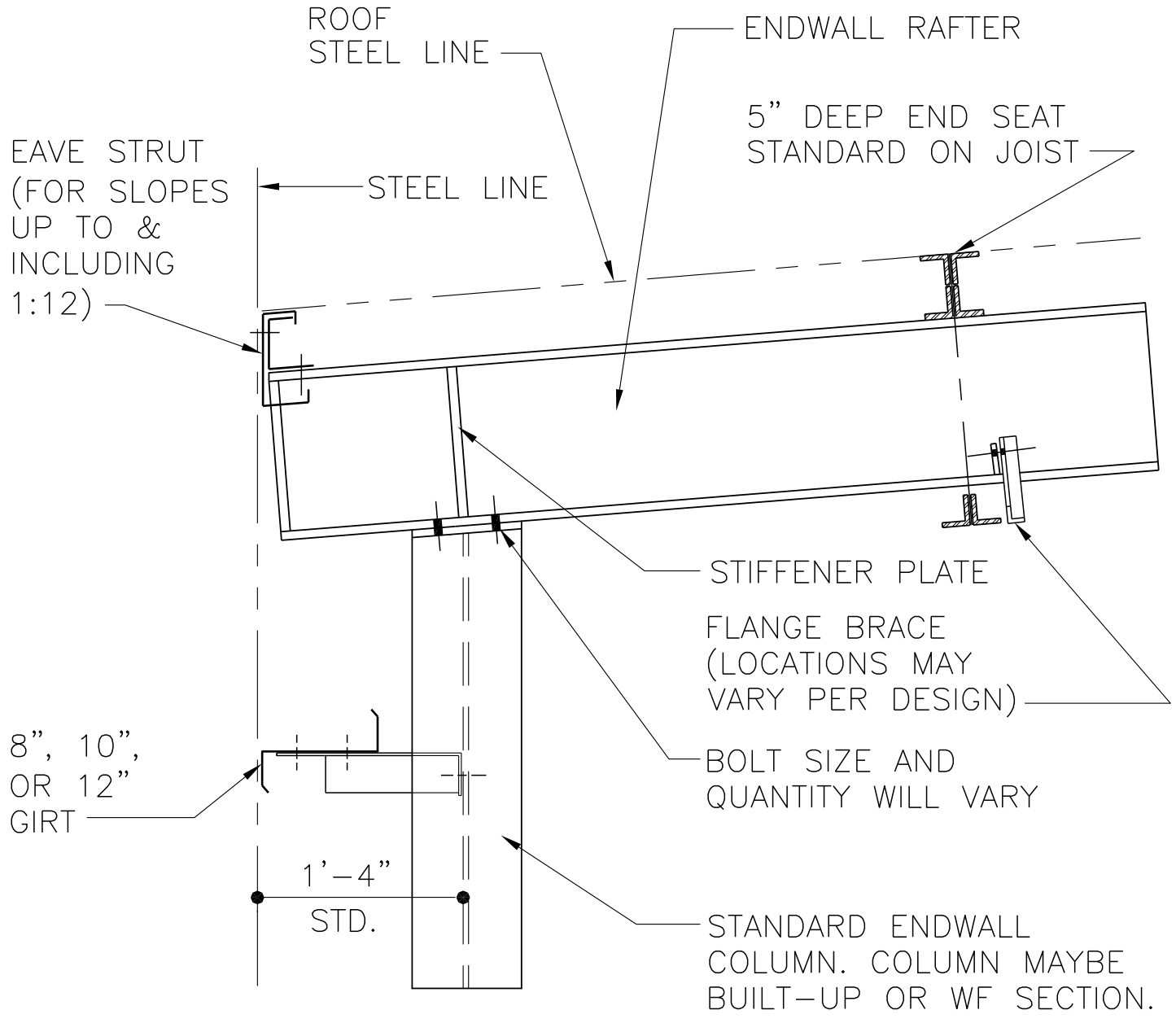
### FD0170PE – ENDWALL CORNER COLUMN W/PURLINS LOW EAVE-(H - SECTION)



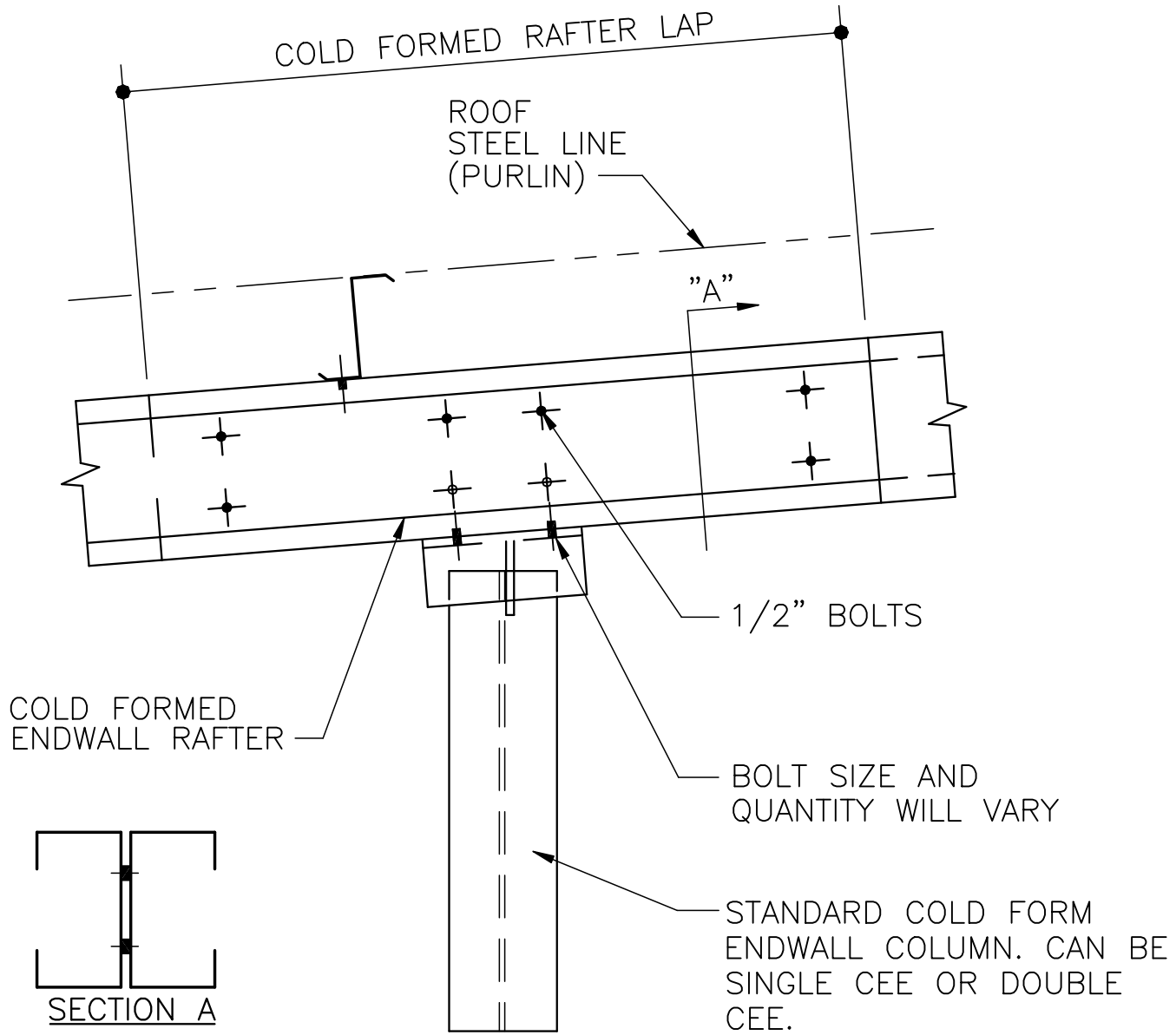
### FD0180PE – ENDWALL CORNER COLUMN W/JOISTS LOW EAVE-(C.F.COLUMN)



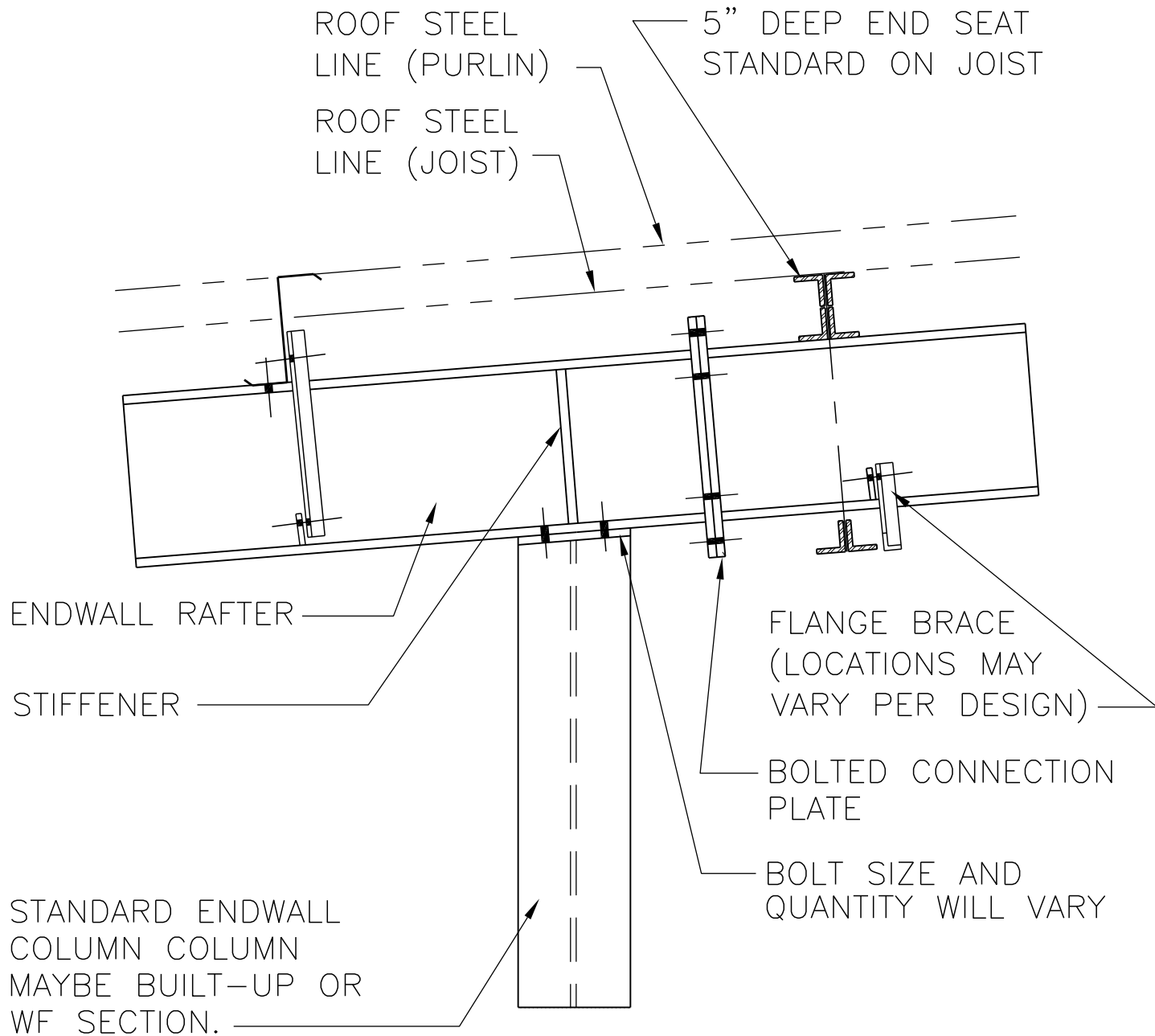
### FD0190PE – ENDWALL CORNER COLUMN W/JOISTS LOW EAVE - (H - SECTION)



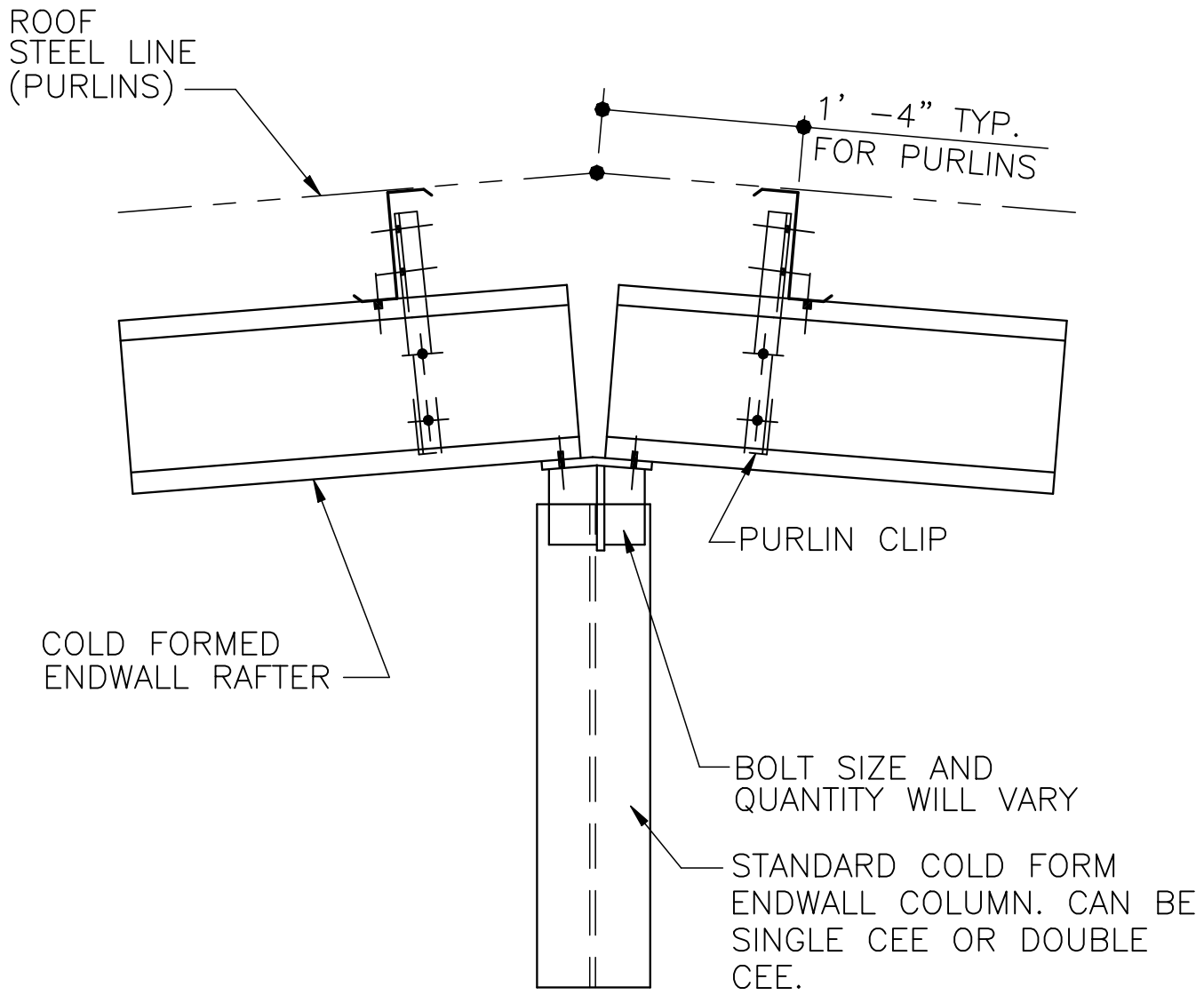
FD0200PE – TOP OF ENDWALL COLUMN (C.F. COL. & RAFTER)



**FD0210PE – TOP OF ENDWALL COLUMN (H - SECTION)**

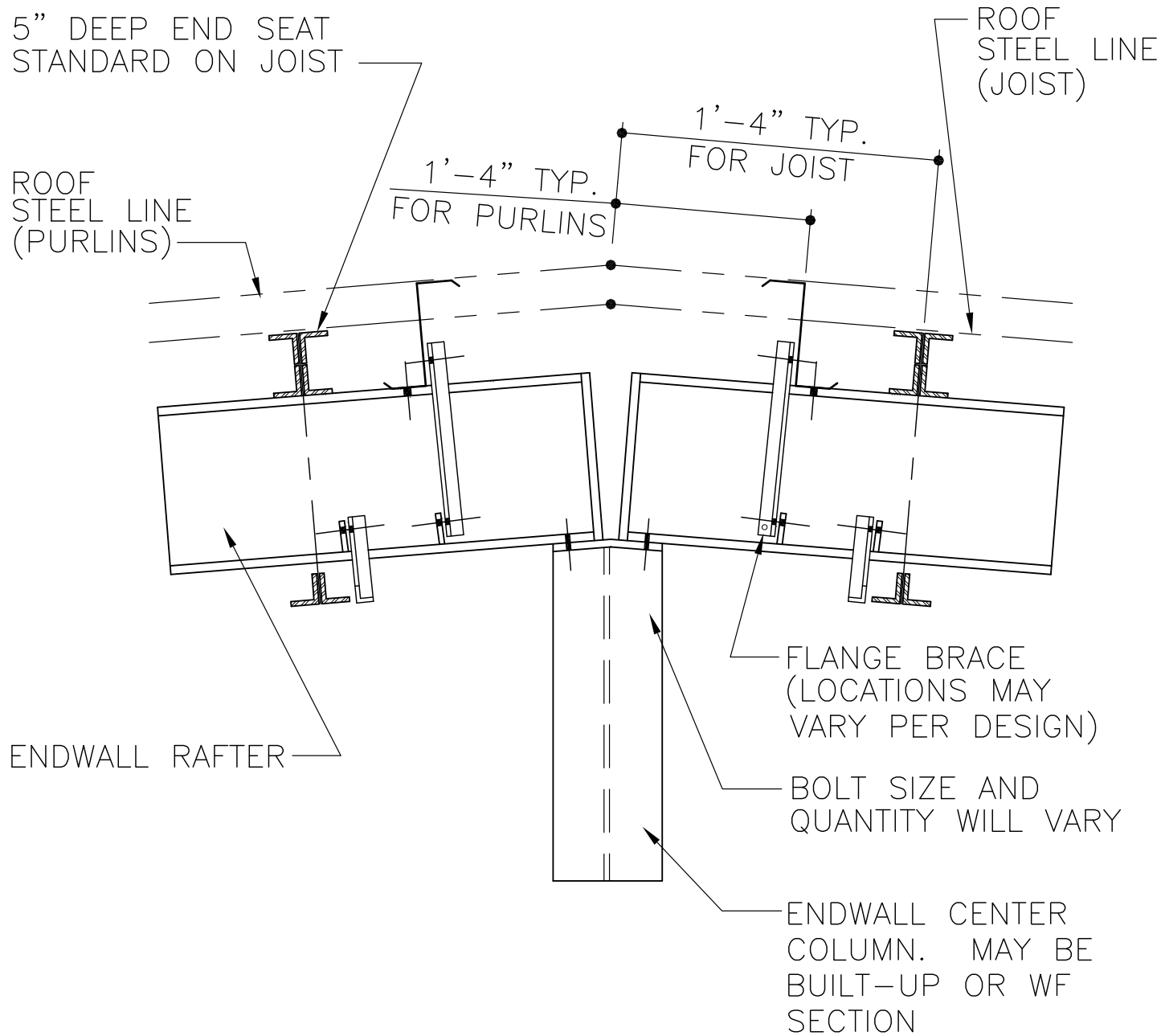


**FD0220PE – ENDWALL RIDGE W/CENTER COLUMN (C.F. RAFTER)**

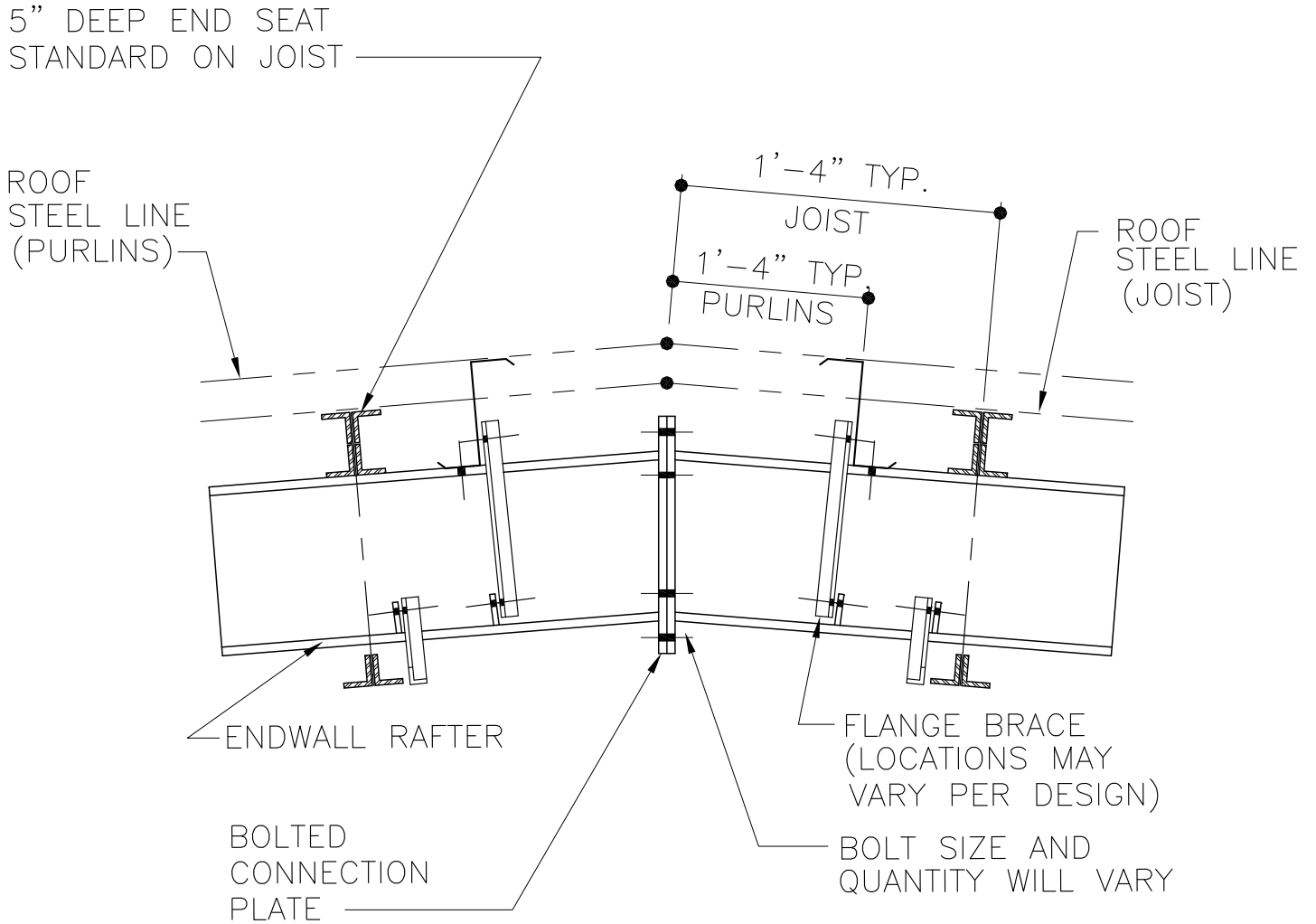




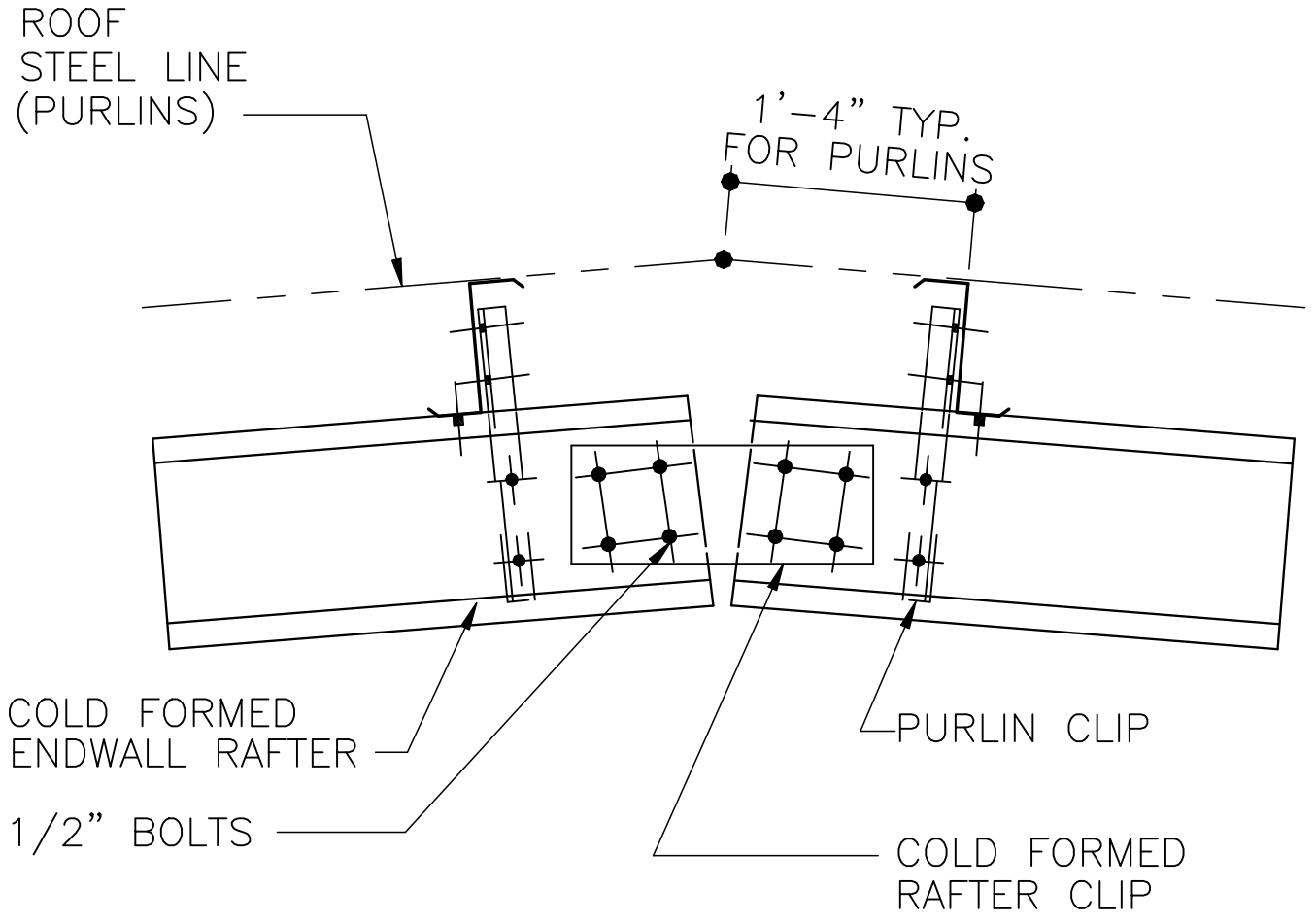
### FD0230PE – ENDWALL RIDGE CONDITION W/CENTER COLUMN (H - SECTION)



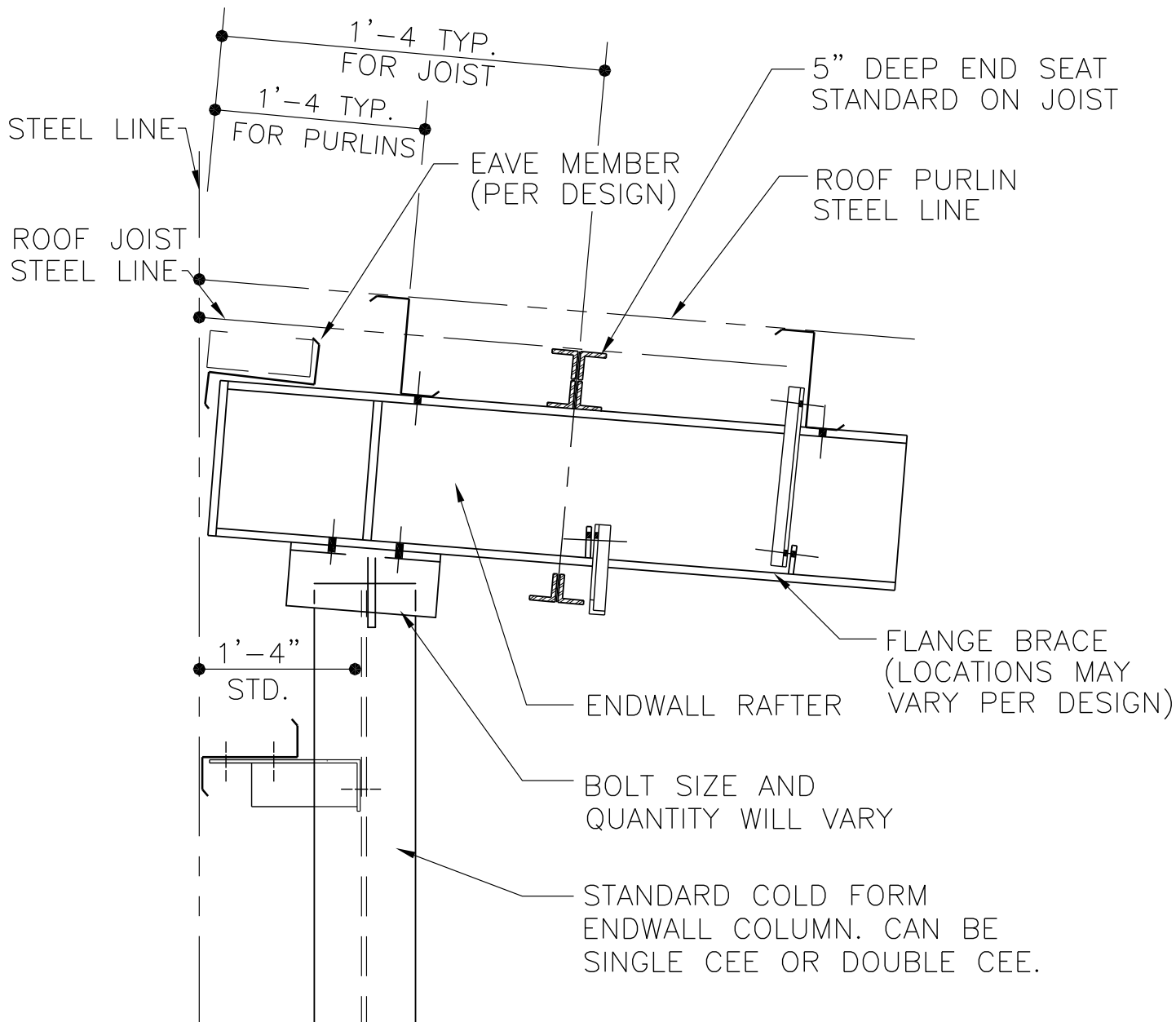
### FD0240PE – ENDWALL RIDGE CONDITION WITHOUT CENTER COLUMN (H - SECTION)



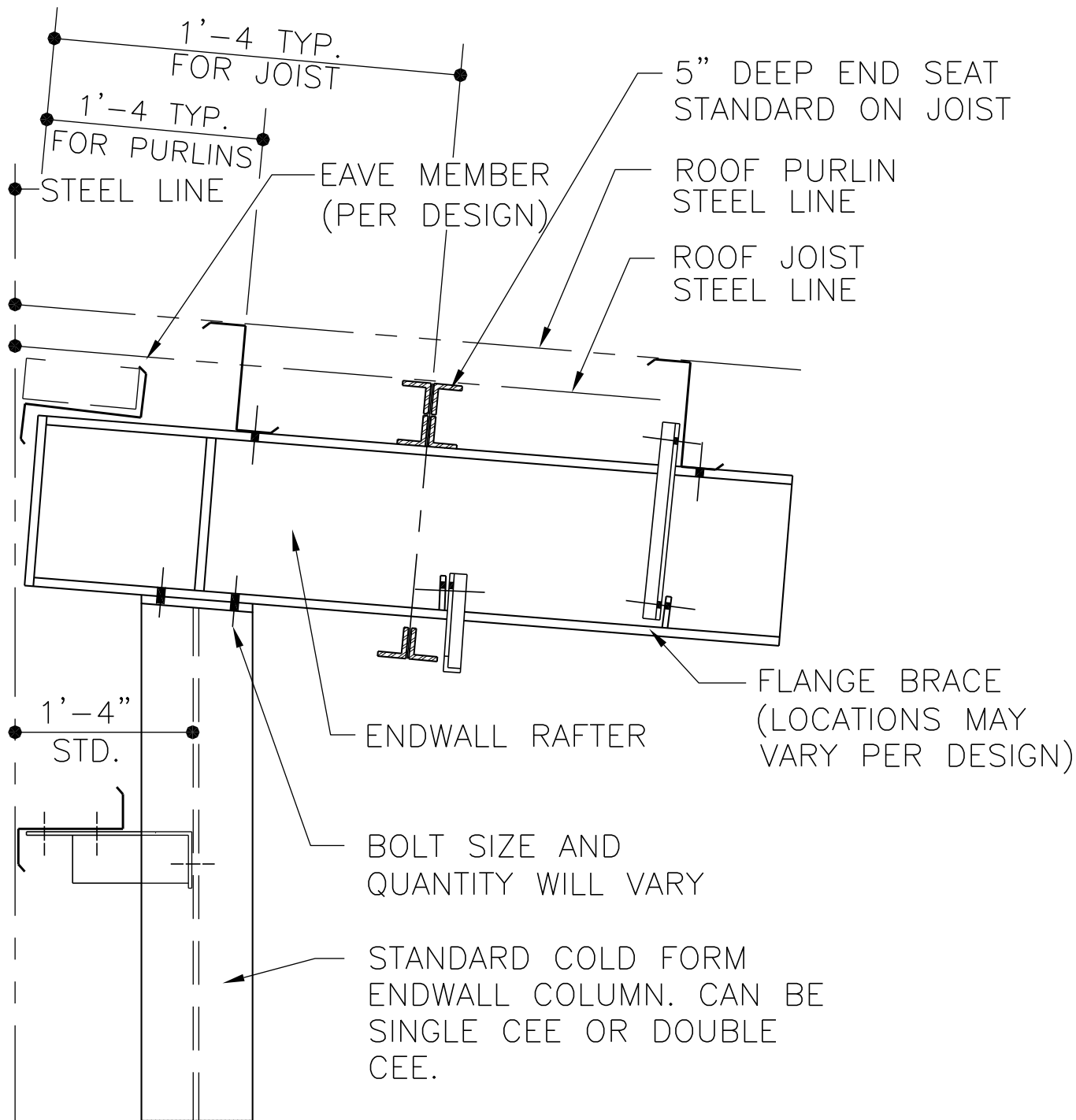
**FD0245PE – ENDWALL RIDGE CONDITION WITHOUT CENTER COLUMN (C.F. RAFTER)**



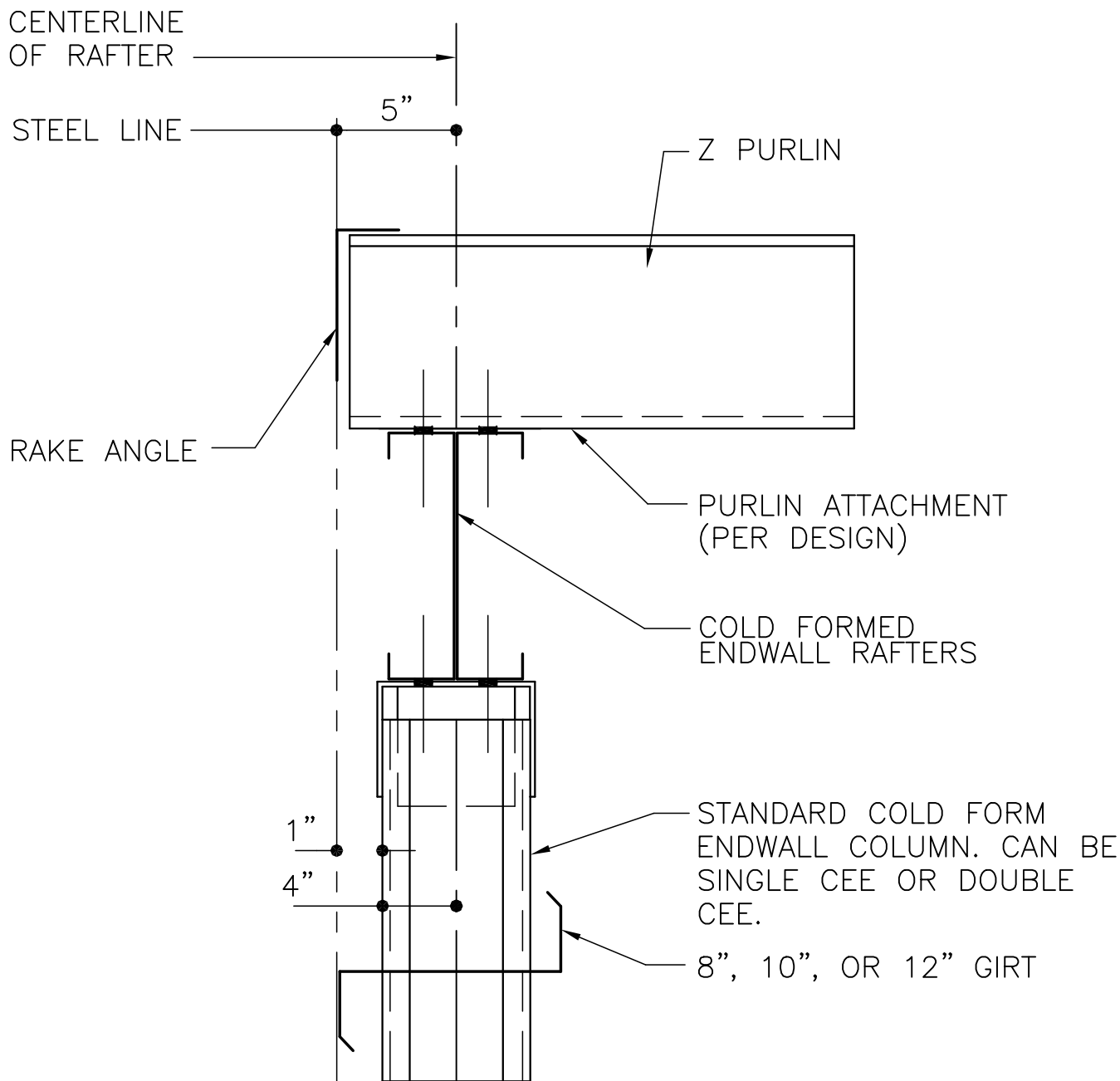
### FD0250PE – ENDWALL CORNER COLUMN HIGH EAVE (C.F. COLUMN)



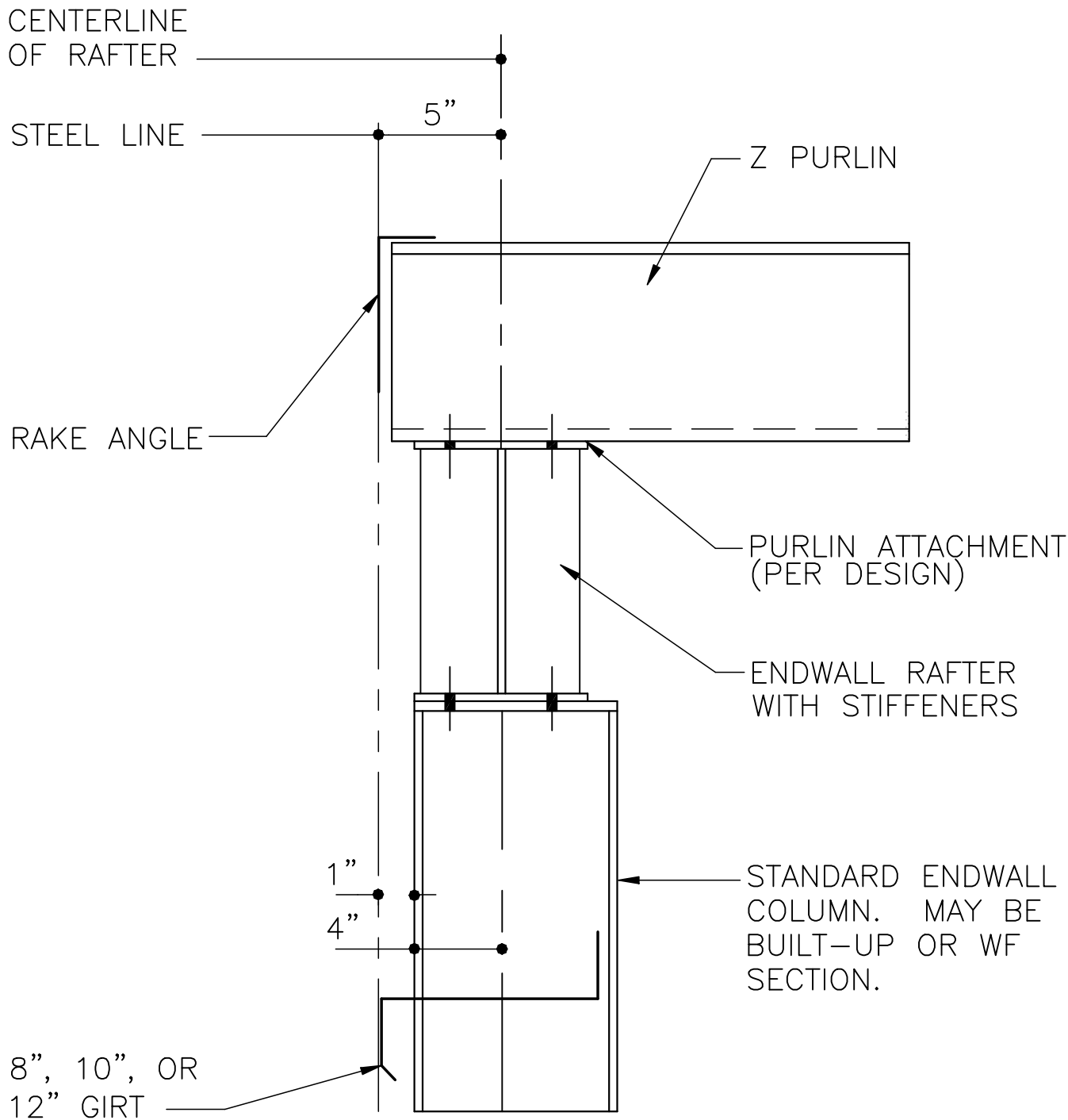
### FD0260PE – ENDWALL CORNER COLUMN HIGH EAVE (H - SECTION)



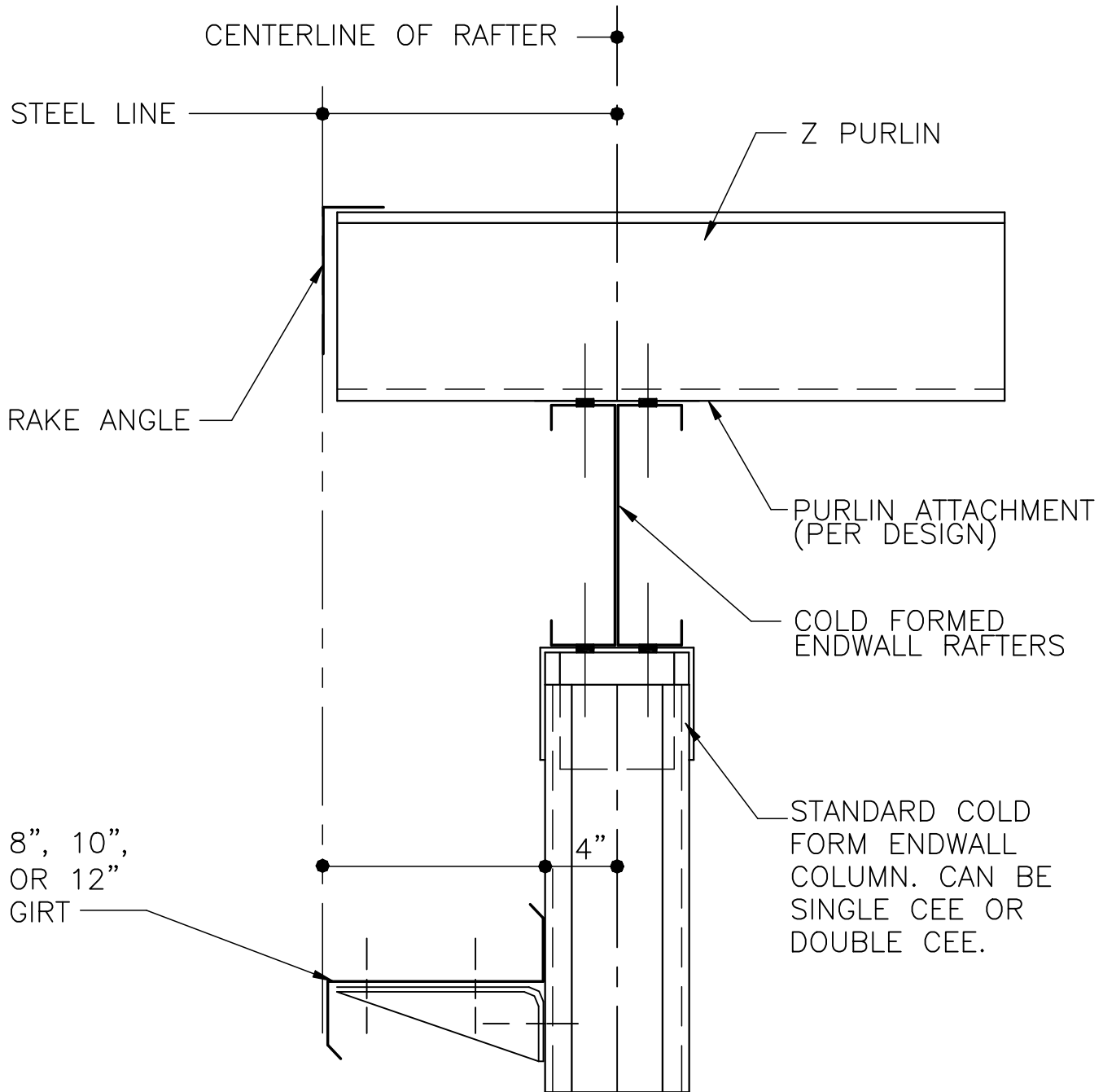
### FD0270PE – ENDWALL W/PURLINS (C.F. COL. & RAFTER) – INSET



### FD0280PE – ENDWALL W/PURLINS (H - SECTION) – INSET

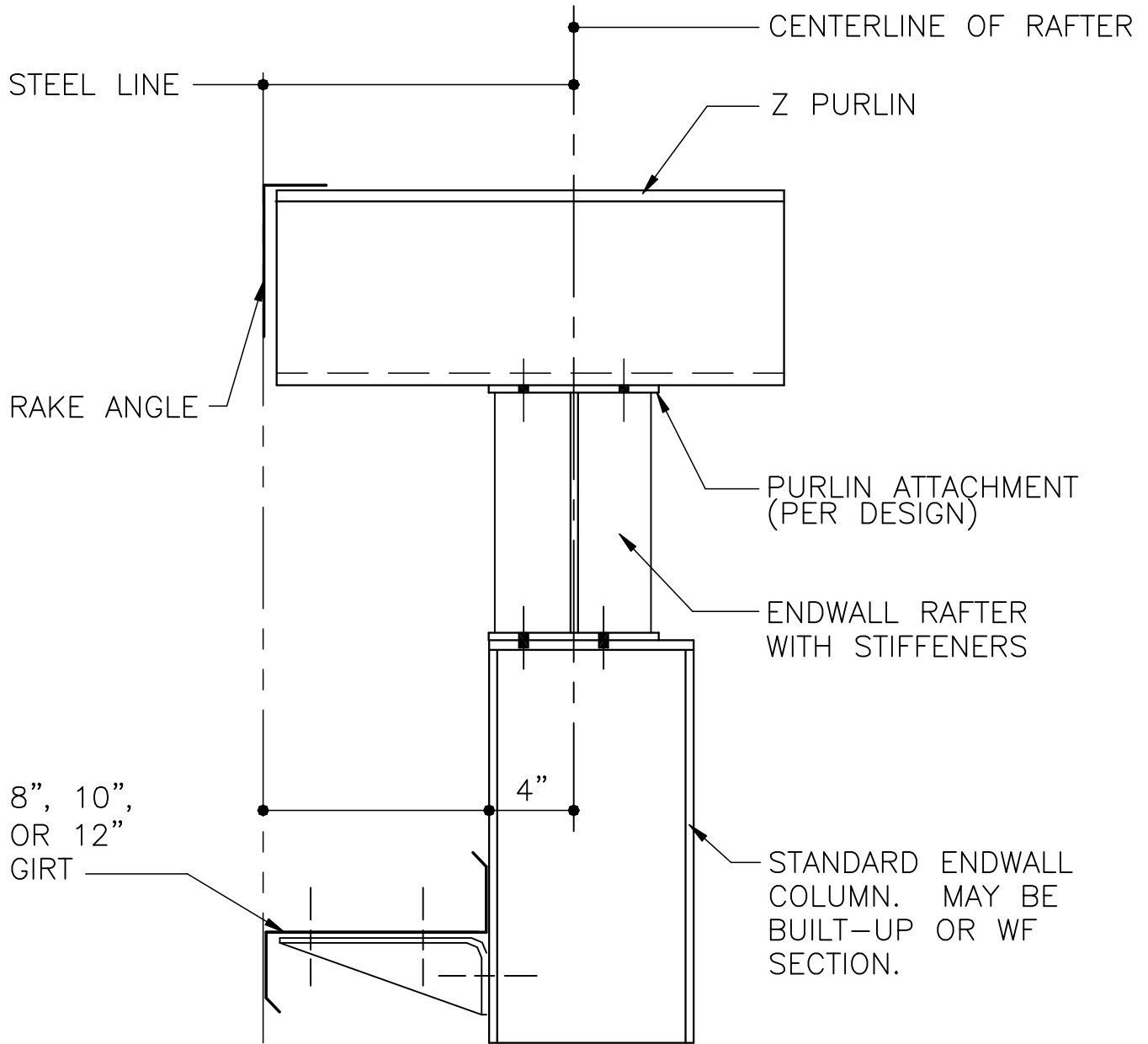


**FD0290PE – ENDWALL W/PURLINS (C.F. COL. & RAFTER) - BYPASS**

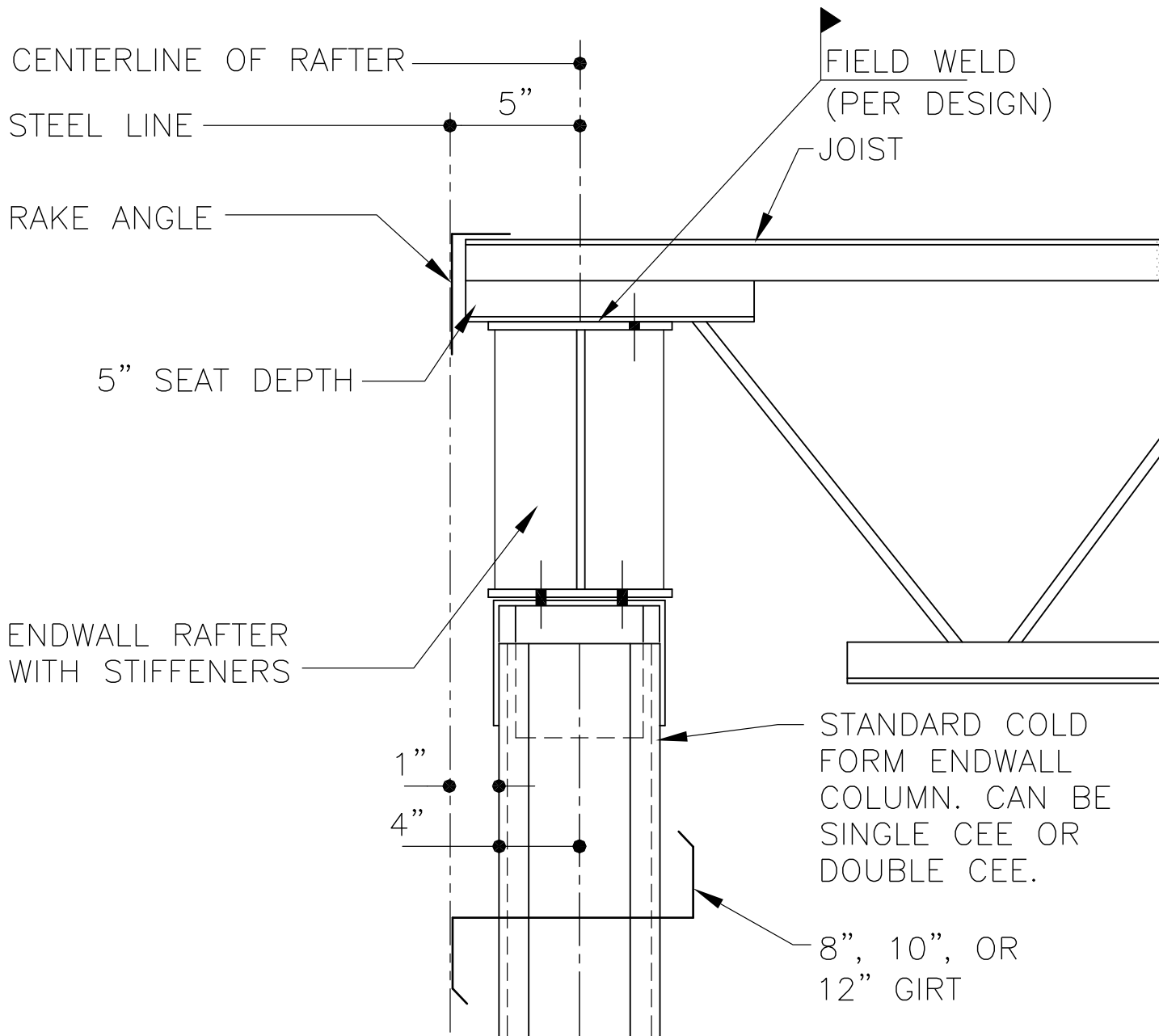




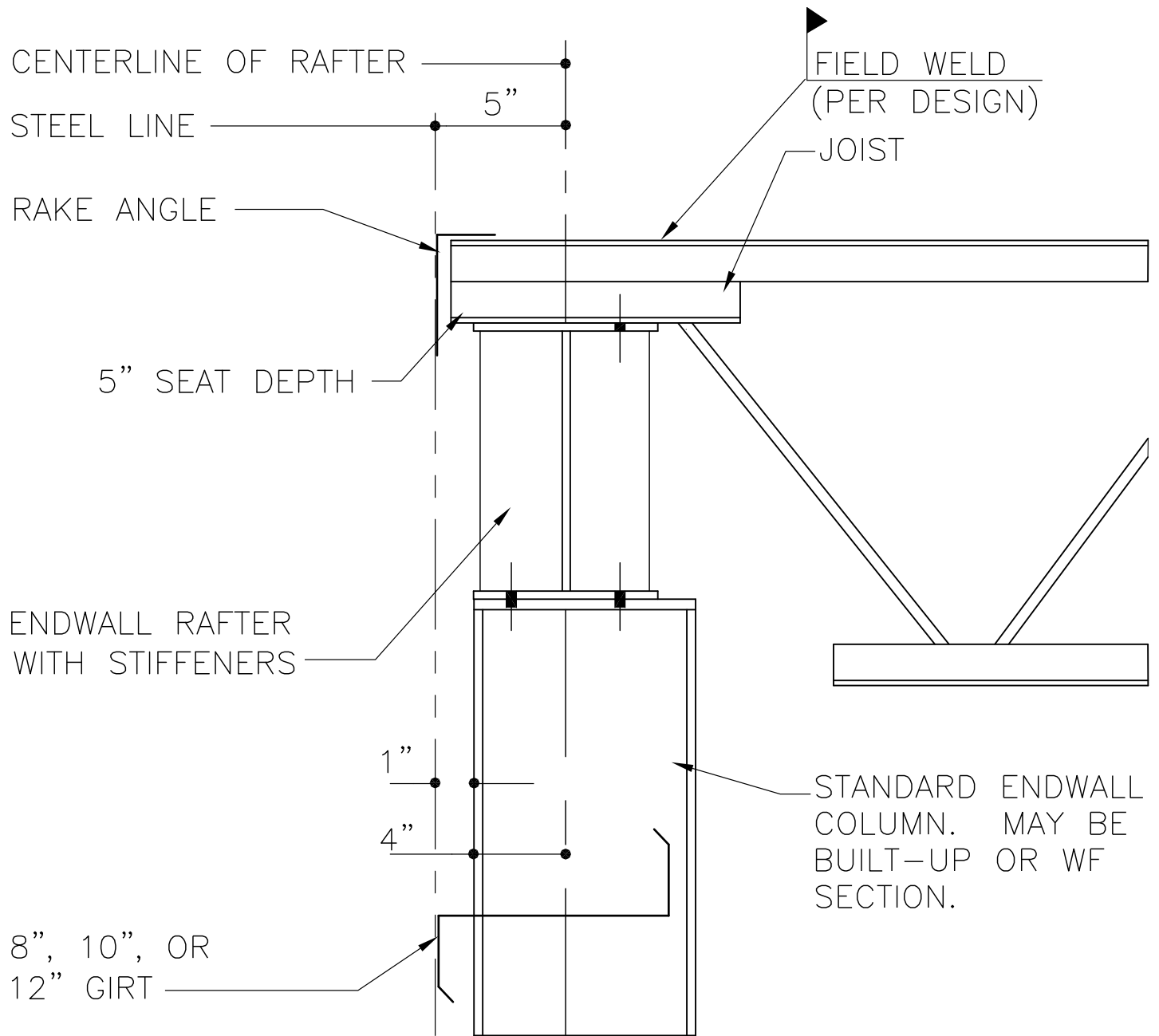
### FD0300PE – ENDWALL W/PURLINS (H - SECTION) - BYPASS



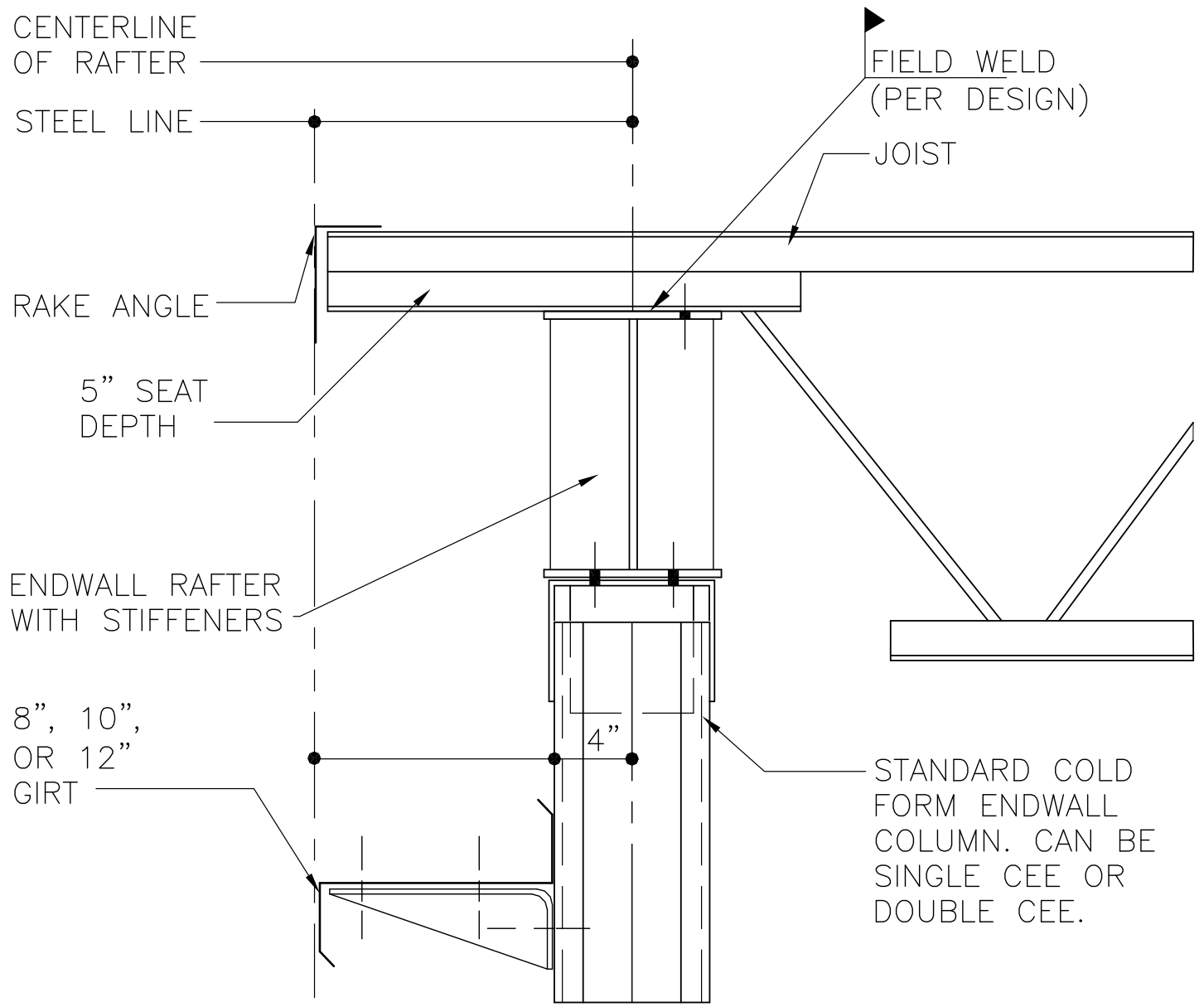
### FD0310PE – ENDWALL W/JOISTS (C.F. COLUMN) – INSET



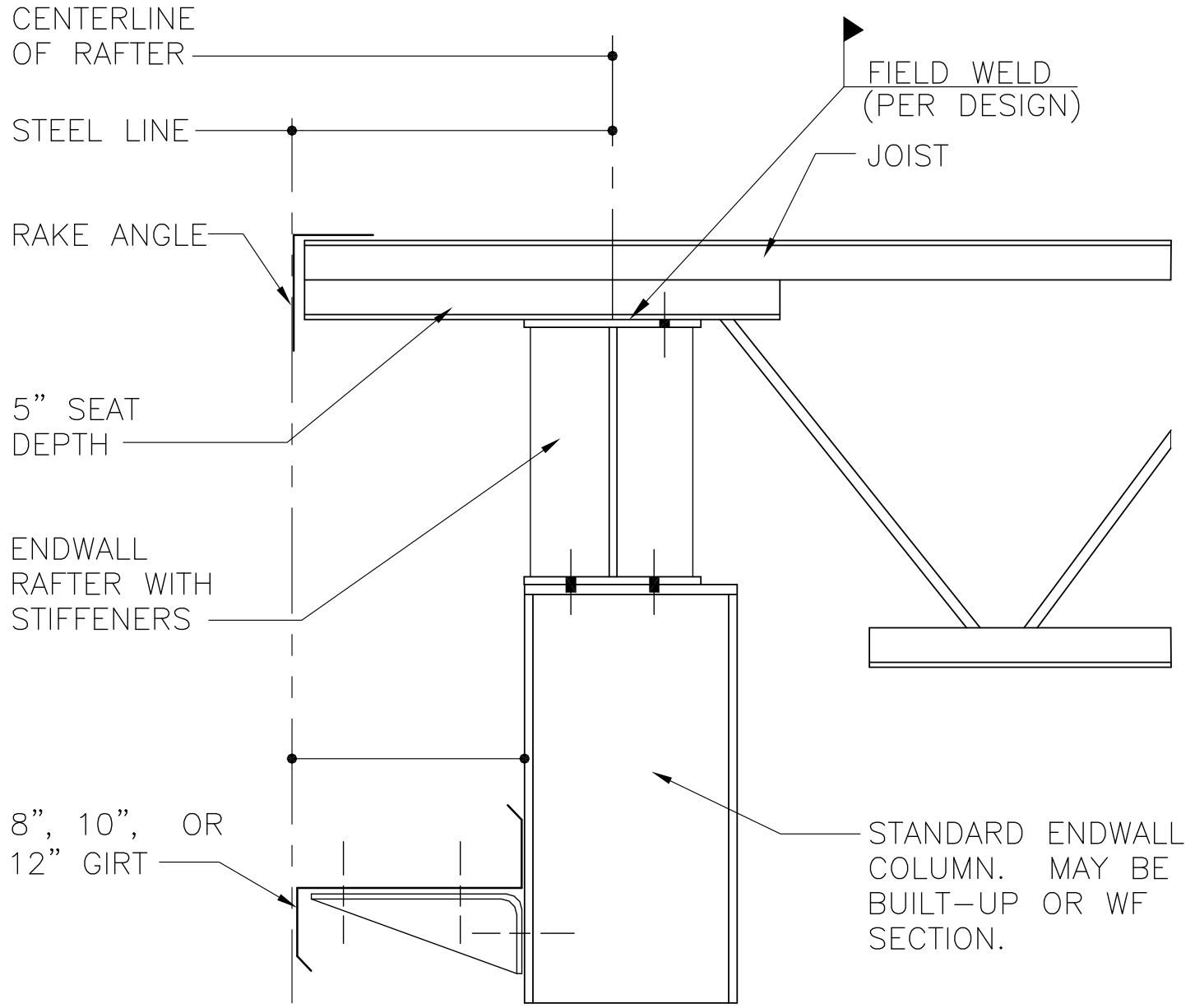
**FD0330PE – ENDWALL W/JOISTS (H - SECTION) – INSET**



**FD0340PE – ENDWALL W/JOISTS (C.F. COLUMN) - BYPASS**



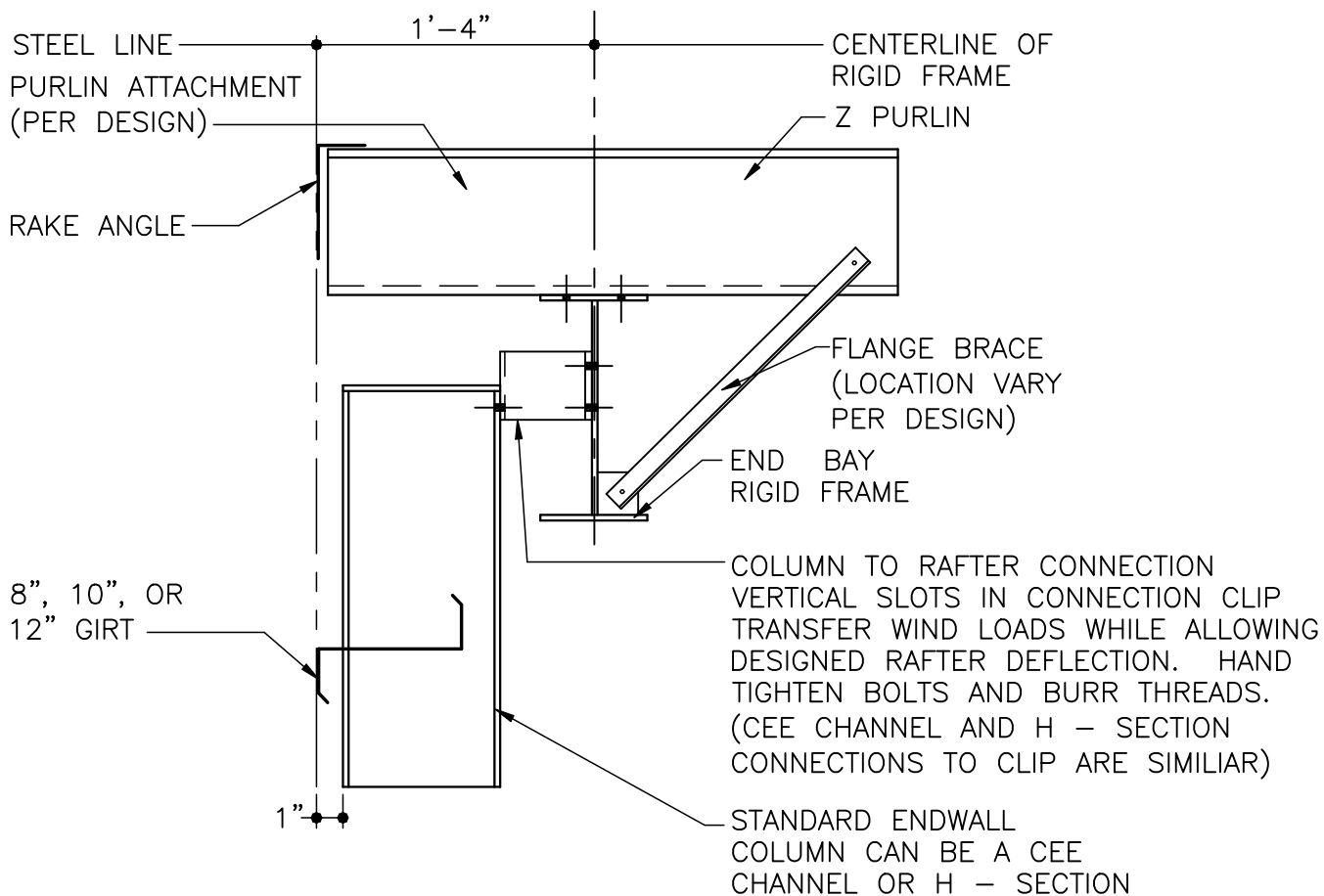
**FD0350PE – ENDWALL W/JOISTS (H - SECTION) - BYPASS**



### RIGID FRAME ENDWALL

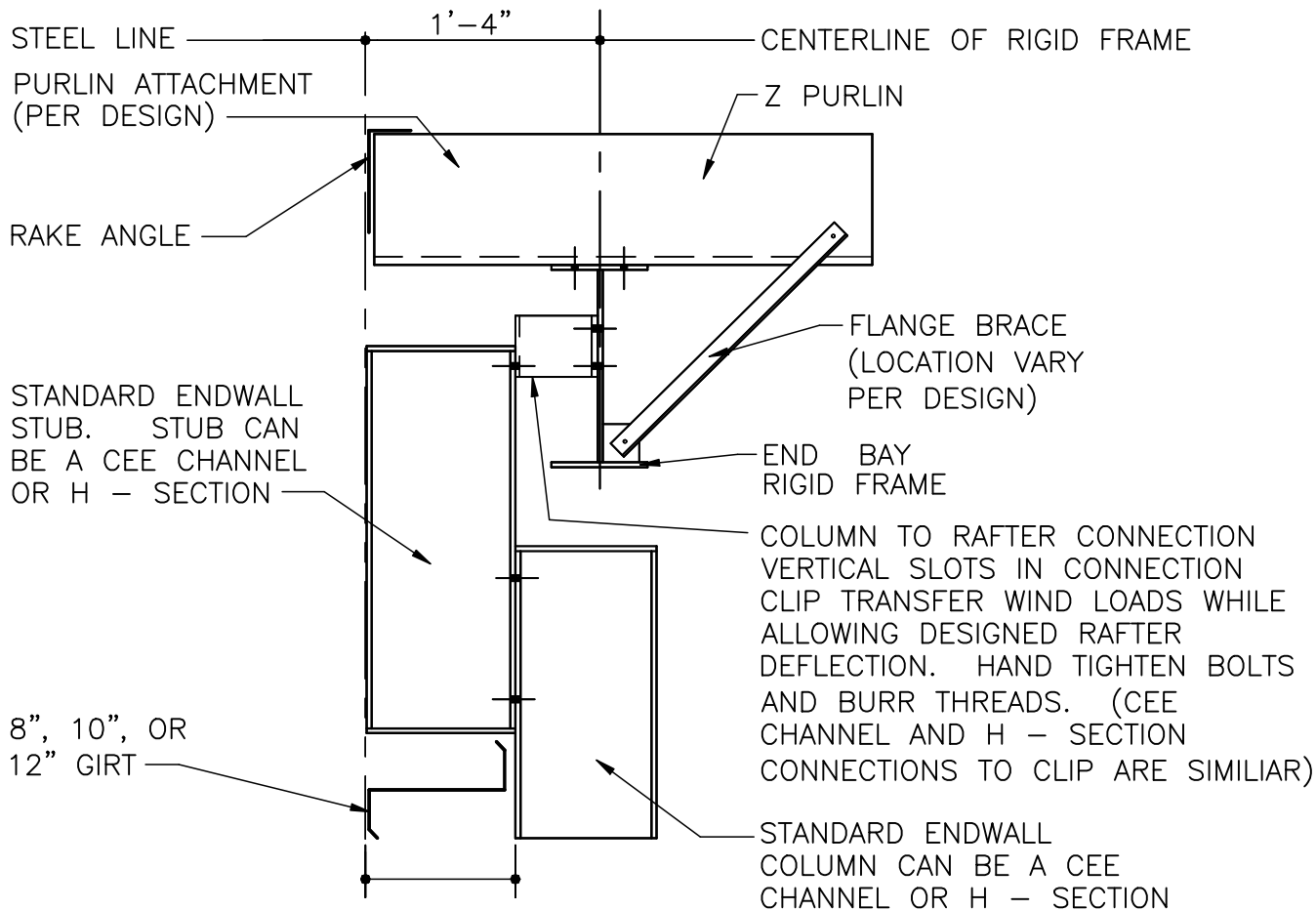
#### FD0360PE – RIGID FRAME ENDWALL W/PURLINS – INSET

NOTE: AT EXPANDABLE ENDWALLS WHERE RAFTER FLANGE BRACING IS REQUIRED AT BOTH SIDES OF THE RAFTER, (AT THE TIME OF EXPANSION) THOSE FLANGE BRACES ARE INCLUDED & MUST BE INSTALLED AT THE TIME OF THE EXPANSION,



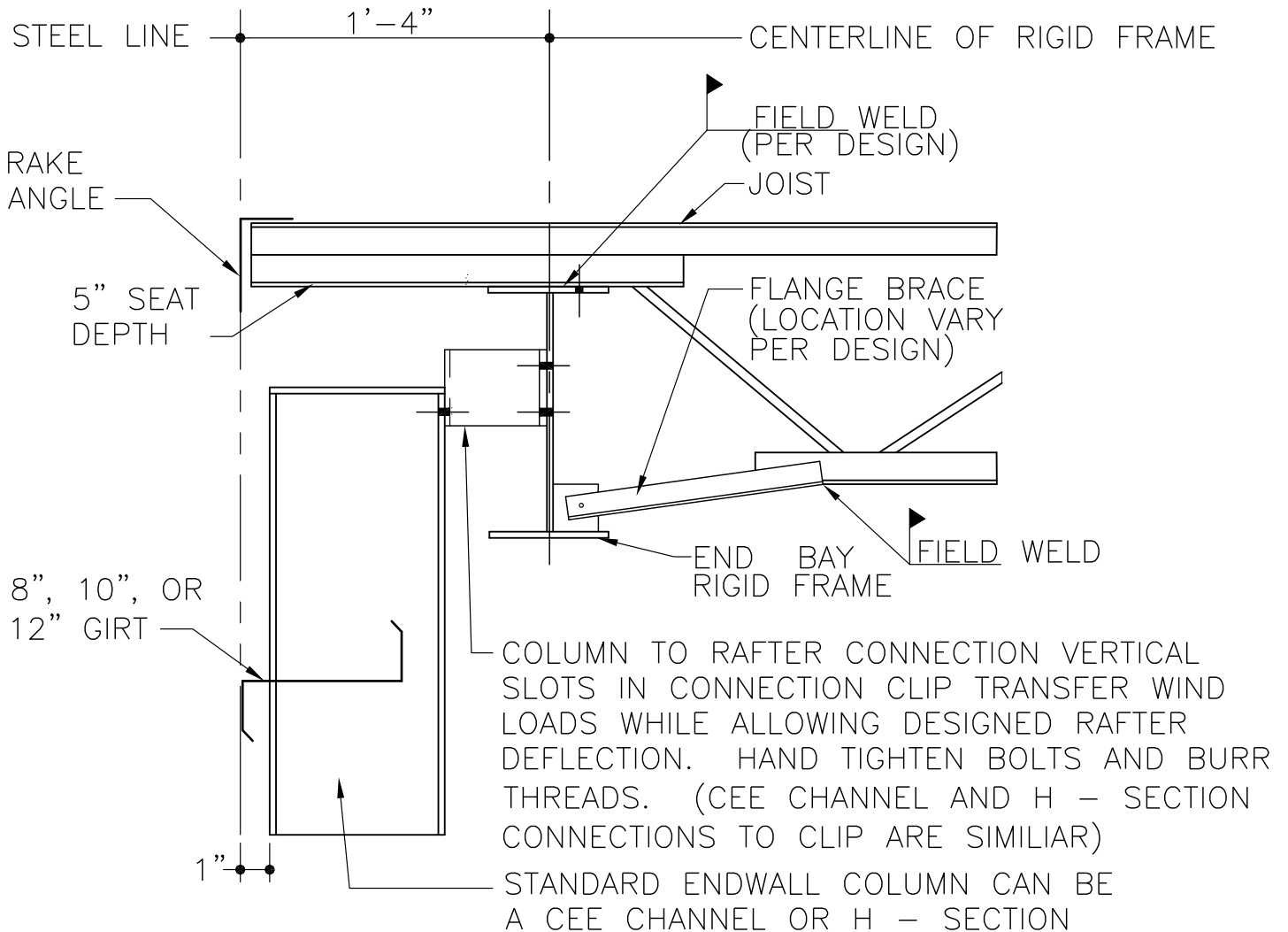
### FD0370PE – RIGID FRAME ENDWALL W/PURLINS - BYPASS

NOTE: AT EXPANDABLE ENDWALLS WHERE RAFTER FLANGE BRACING IS REQUIRED AT BOTH SIDES OF THE RAFTER, (AT THE TIME OF EXPANSION) THOSE FLANGE BRACES ARE INCLUDED & MUST BE INSTALLED AT THE TIME OF THE EXPANSION,



### FD0380PE – RIGID FRAME ENDWALL W/JOISTS – INSET

NOTE: AT EXPANDABLE ENDWALLS WHERE RAFTER FLANGE BRACING IS REQUIRED AT BOTH SIDES OF THE RAFTER, (AT THE TIME OF EXPANSION) THOSE FLANGE BRACES ARE INCLUDED & MUST BE INSTALLED AT THE TIME OF THE EXPANSION,





### FD0390PE – RIGID FRAME ENDWALL W/JOISTS - BYPASS

