



NON-STRUCTURAL PARAPET TABLE OF CONTENTS

Non-Structural Parapet System Information And Specifications:.....	2
NP0002PE - Non-Structural Parapet Standard Color Definition	3
NP0004PE - Structural Parapet Standard Color Definition	4
NP0010PE – Non-Structural Parapet System Information	5
Standard Non-Structural Parapet Trim Details.....	6
DF0050 – Non-Structural Rake Parapet W/ Back Panel	6
DI0130 – Non-Structural High Eave Parapet.....	7
EF6090 – Non-Structural Rake Parapet W/ Back Panel (Purlin).....	8
EI6070 – Non-Structural High Eave Parapet.....	9
HL0010 – Cap Trim at Corner	10
Termination Details With BackerPanel	11
HL0020 – Classic Wall Panel	11
HL0030 – Accent Wall Panel.....	12
HL0040 – Reverse Classic Wall Panel.....	13
Termination Details Without Backer Panel	14
HL0120 – Classic Wall Panel	14
HL0130 – Accent Wall Panel.....	15
HL0140 – Reverse Classic Wall Panel.....	16



PRODUCT & ENGINEERING MANUAL

NON-STRUCTURAL PARAPET SYSTEM INFORMATION AND SPECIFICATIONS:

Additional information Nucor standard partition walls is available at the Nucor Building Systems website at the below link.

[Nucor Non-Structural Parapet](#)

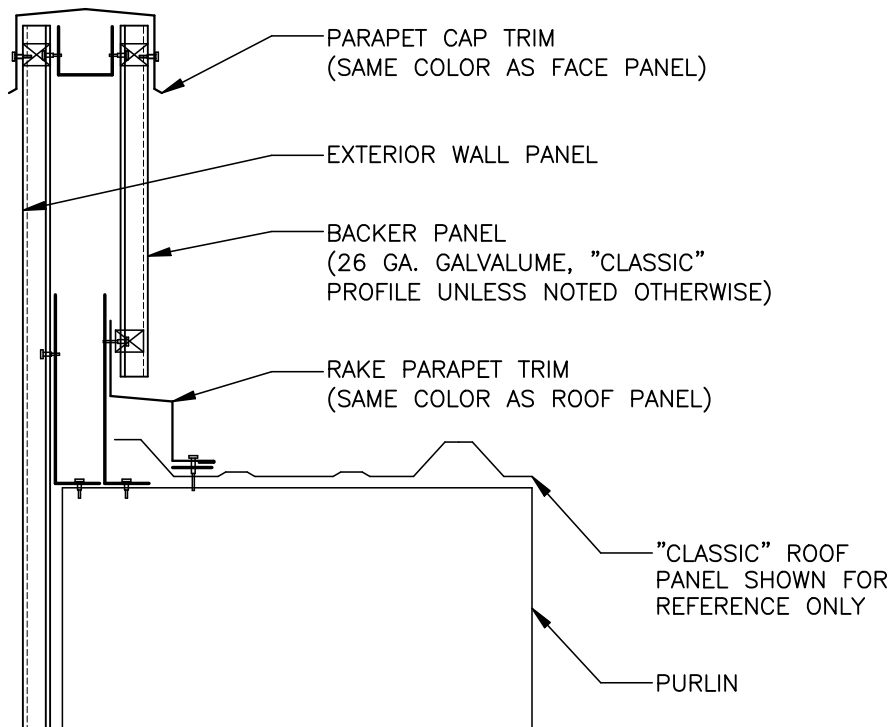
The following pages provide standard Non-Structural Parapet details.



NP0002PE - NON-STRUCTURAL PARAPET STANDARD COLOR DEFINITION

STANDARD COLORS FOR NON-STRUCTURAL PARAPETS

NON-STRUCT PARAPET.dwg



LAST REVISION
DATE: 04/26/02
BY: CDM CHK: RJF

DETAIL NAME IF APPLICABLE
NP0002PE.DWG

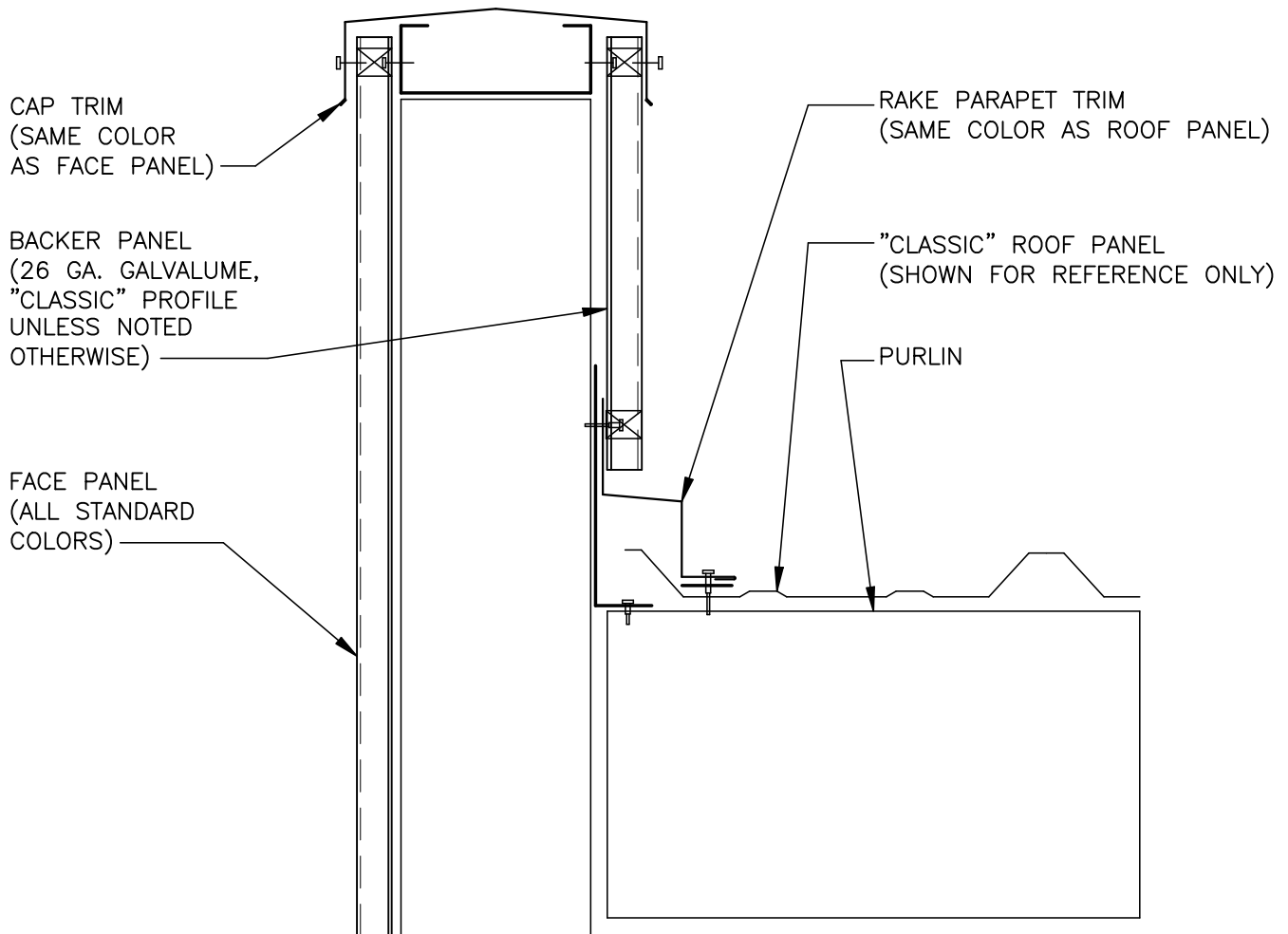
7.6.3



NP0004PE - STRUCTURAL PARAPET STANDARD COLOR DEFINITION

STANDARD COLORS FOR STRUCTURAL PARAPETS

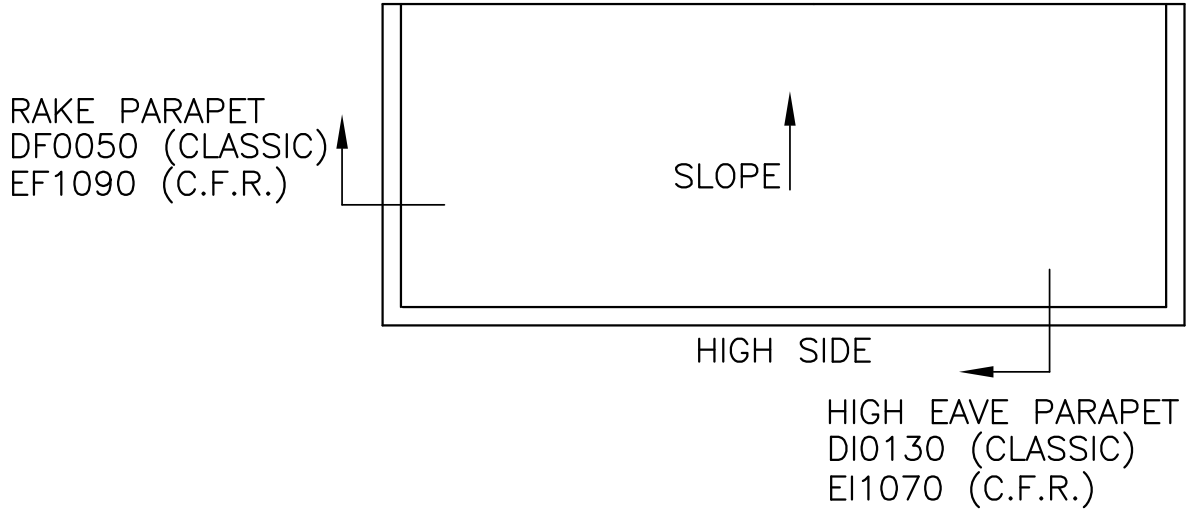
STRUCTURAL PARAPET.dwg





PRODUCT & ENGINEERING MANUAL

NP0010PE – NON-STRUCTURAL PARAPET SYSTEM INFORMATION



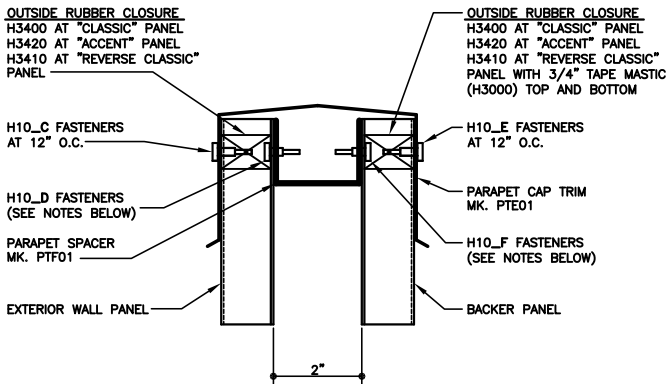
Allowable Non-Structural Parapet cantilever spans vary based on wind speed and exposure. Contact your engineering team for assistance.



PRODUCT & ENGINEERING MANUAL

STANDARD NON-STRUCTURAL PARAPET TRIM DETAILS

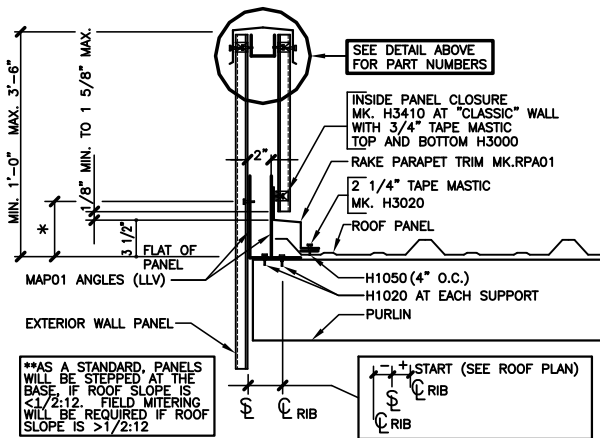
DF0050 – NON-STRUCTURAL RAKE PARAPET W/ BACK PANEL



ERECTOR NOTE
THE H10_G FASTENERS MUST PENETRATE THE MASTIC AND THE CLOSURES IN ORDER TO CREATE THE DESIGNED SEAL AND TO KEEP THE CLOSURES IN PLACE

CAP TRIM INSTALLATION DETAIL

EXTERIOR PANEL AND BACKER PANEL BY NBS
SEE WALL SHEETING ERECTION NOTES FOR WALL PANEL FASTENER LOCATIONS
INSULATION NOT SHOWN FOR CLARITY



NON-STRUCTURAL RAKE PARAPET DETAIL

"CLASSIC ROOF"
*: FASTENER MUST BE A MINIMUM OF 7" ABOVE THE TOP OF THE PURLIN
SEE WALL SHEETING ERECTION NOTES FOR WALL PANEL FASTENER LOCATIONS

RAKE PARAPET TRIM INSTALLATION DETAIL

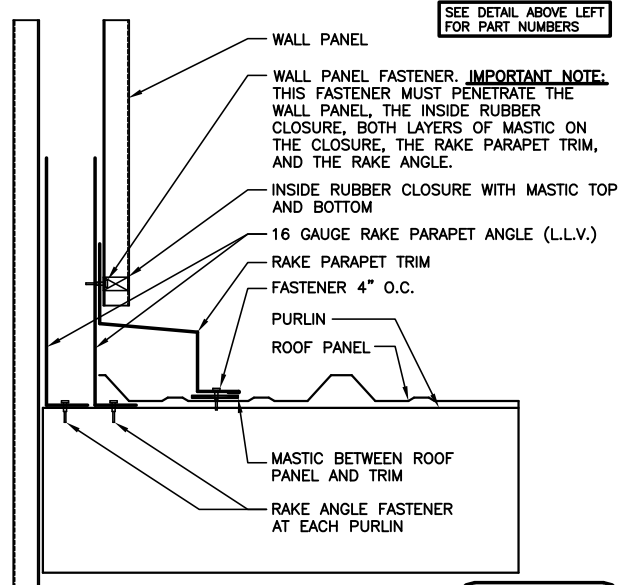
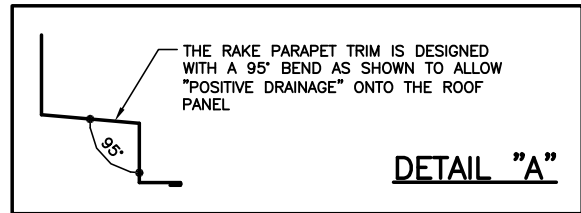
NOTES:
THIS DETAIL IS TO BE USED FOR PROPER RAKE PARAPET TRIM INSTALLATION. REFER TO THE DETAILS AT LEFT FOR PART NUMBERS.

ALWAYS BEGIN THE RAKE PARAPET TRIM INSTALLATION STARTING AT THE LOW EAVE AND WORK TOWARD THE HIGH EAVE OR RIDGE.

THE RAKE PARAPET TRIM IS DESIGNED TO HAVE "POSITIVE DRAINAGE" ONTO THE ROOF. THIS IS TO HELP ALLEVIATE THE POSSIBILITY OF WATER PONDING ON THE TRIM. SEE DETAIL "A" BELOW.

FASTEN THE RAKE PARAPET TRIM TO THE ROOF PANEL AT 4" ON CENTER.

REFER TO THE CLASSIC ROOF ERECTION MANUAL FOR ADDITIONAL TRIM LAP INFORMATION AND DETAILS.



DF0050

NOTE: Some minor field work of the rake angle may be required if the minimum 10" height is held.

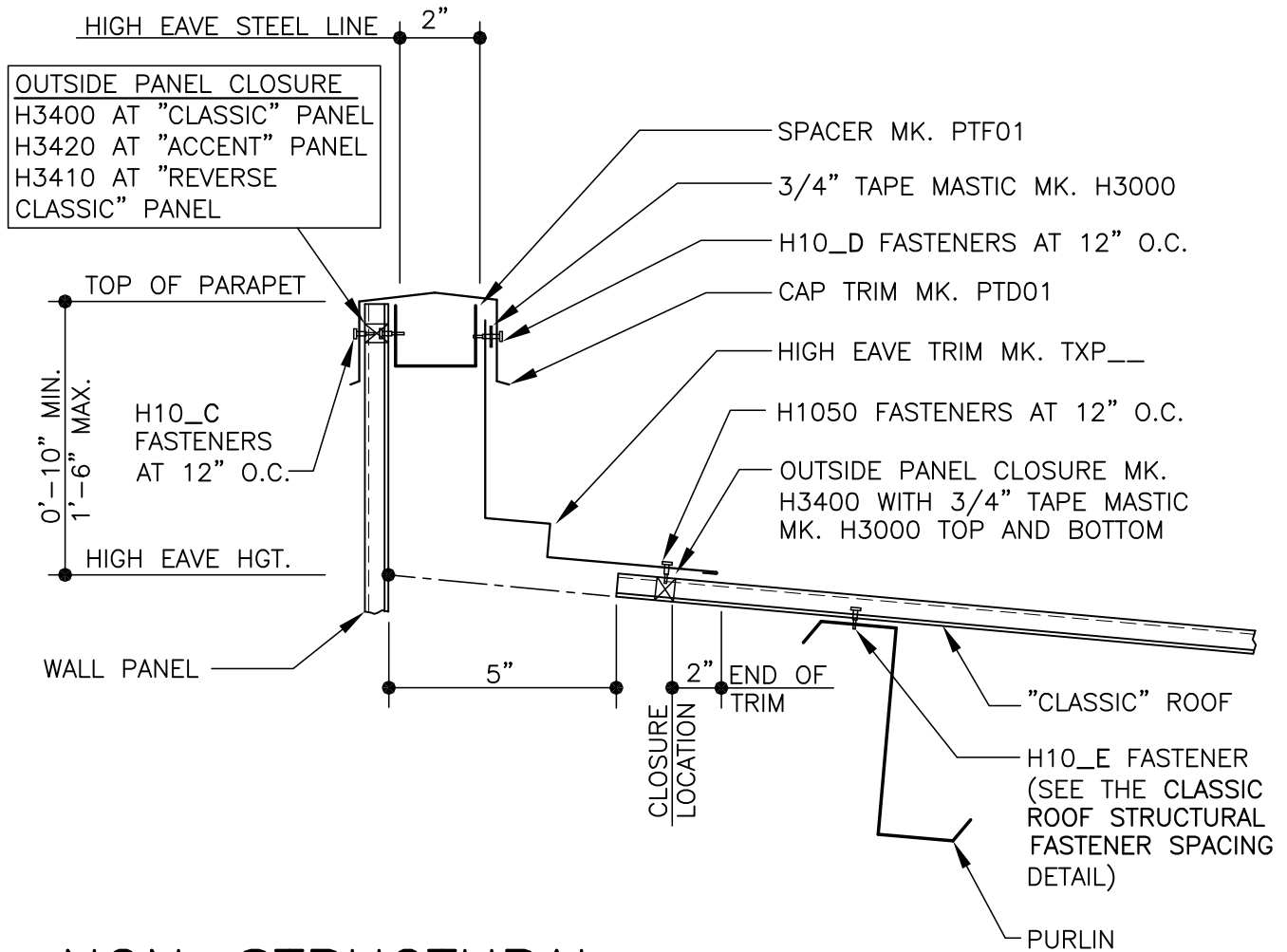
LAST REVISION
DATE: 02/16/15
BY: AK CHK: EGB

DETAIL NAME IF APPLICABLE
DF0050.DWG

7.6.6



DI0130 – NON-STRUCTURAL HIGH EAVE PARAPET



NON-STRUCTURAL HIGH EAVE PARAPET DETAIL

"CLASSIC ROOF"

SEE WALL SHEETING ERECTION NOTES FOR WALL PANEL FASTENER LOCATIONS

DI0130

NOTE: Some minor field work of the rake angle may be required if the minimum 10" height is held.

LAST REVISION
 DATE: 02/16/15
 BY: AK CHK: EGB

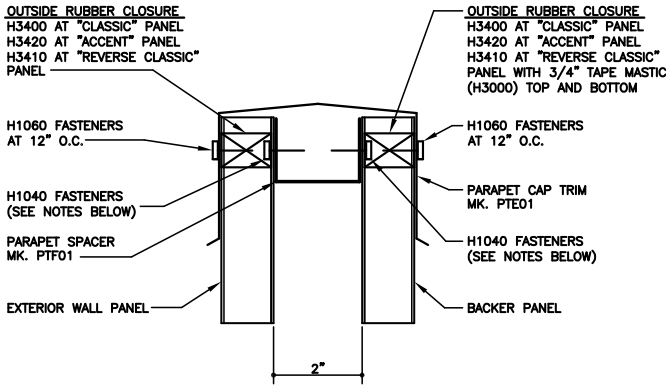
DETAIL NAME IF APPLICABLE
DI0130.DWG

7.6.7



PRODUCT & ENGINEERING MANUAL

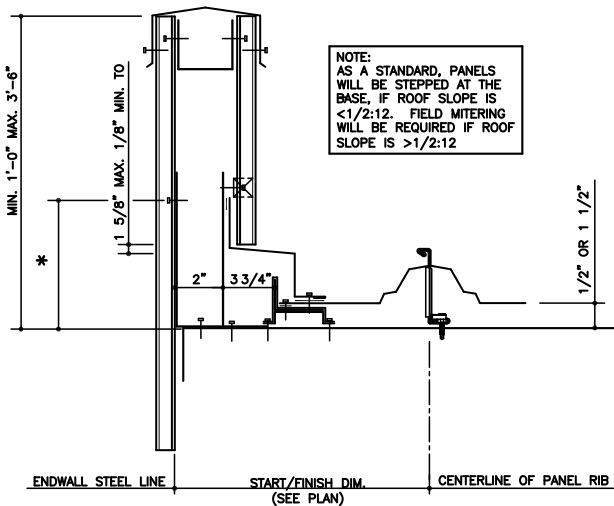
EF6090 – NON-STRUCTURAL RAKE PARAPET W/ BACK PANEL (PURLIN)



ERECTOR NOTE
THE H1060 FASTENERS MUST PENETRATE THE MASTIC AND THE CLOSURES IN ORDER TO CREATE THE DESIGNED SEAL AND TO KEEP THE CLOSURES IN PLACE

CAP TRIM INSTALLATION DETAIL

EXTERIOR PANEL AND BACKER PANEL BY NBS
SEE WALL SHEETING ERECTION NOTES FOR WALL PANEL FASTENER LOCATIONS
INSULATION NOT SHOWN FOR CLARITY



RAKE PARAPET DETAIL

"CFR" ROOF
*: FASTENER MUST BE A MINIMUM OF 7" ABOVE THE TOP THE SECONDARY. SEE WALL SHEETING ERECTION NOTES FOR WALL PANEL FASTENER LOCATIONS

RAKE PARAPET TRIM INSTALLATION DETAIL

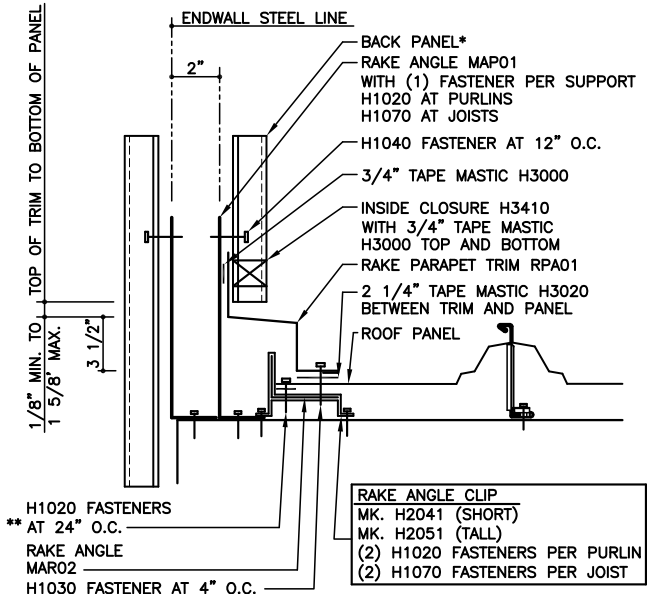
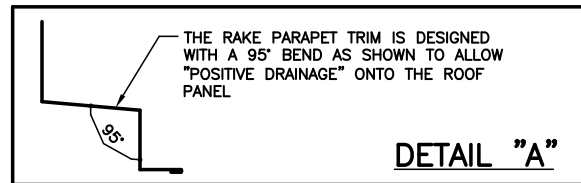
NOTES:
THIS DETAIL IS TO BE USED FOR PROPER RAKE PARAPET TRIM INSTALLATION. REFER TO THE DETAILS AT LEFT FOR PART NUMBERS.

ALWAYS BEGIN THE RAKE PARAPET TRIM INSTALLATION STARTING AT THE LOW EAVE AND WORK TOWARD THE HIGH EAVE OR RIDGE.

THE RAKE PARAPET TRIM IS DESIGNED TO HAVE "POSITIVE DRAINAGE" ONTO THE ROOF. THIS IS TO HELP ALLEVIATE THE POSSIBILITY OF WATER PONDING ON THE TRIM. SEE DETAIL "A" BELOW.

FASTEN THE RAKE PARAPET TRIM TO THE ROOF PANEL AT 4" ON CENTER, MAKING SURE THAT NO FASTENERS HIT ANY OF THE RAKE CLIP LOCATIONS. KEEP FASTENER A MINIMUM OF 2" AWAY FROM ANY RAKE CLIP.

REFER TO THE CFR ROOF ERECTION MANUAL FOR ADDITIONAL TRIM LAP INFORMATION AND DETAILS.



****NOTE:**
KEEP FASTENER A MINIMUM OF 2" AWAY FROM ANY RAKE CLIP. DO NOT FASTEN THROUGH RAKE CLIP.

* **ERECTOR NOTE:**
DO NOT PLACE WALL FASTENERS THROUGH RAKE PARAPET TRIM

EF6090

NOTE: Some minor field work of the rake angle may be required if the minimum 10" height is held.

LAST REVISION
DATE: 02/16/15
BY: AK CHK: EGB

DETAIL NAME IF APPLICABLE
EF6090.DWG

7.6.8

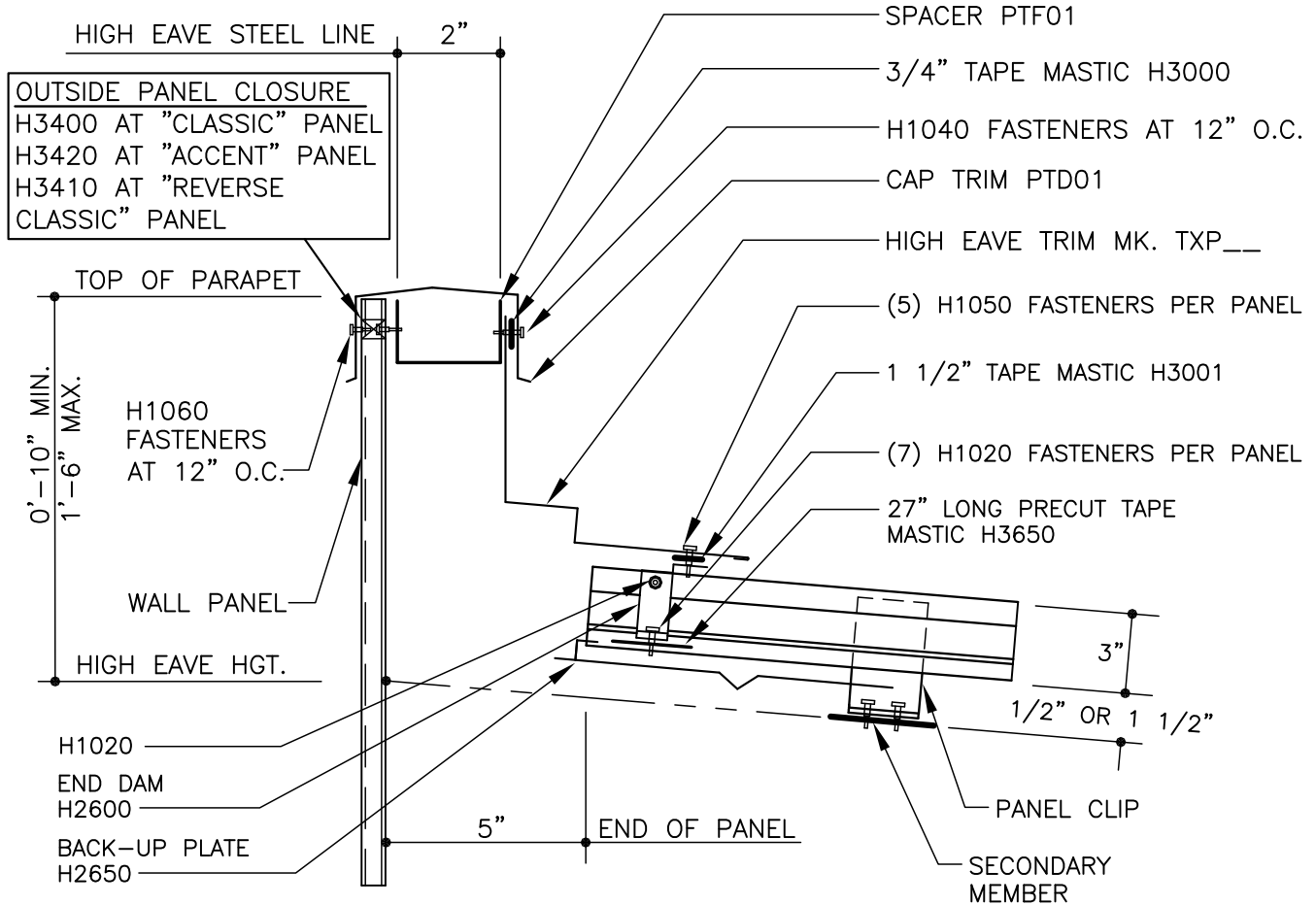


PRODUCT & ENGINEERING MANUAL

EI6070 – NON-STRUCTURAL HIGH EAVE PARAPET

ERECTOR NOTES:

H1020 SCREWS & H2200 INSULATION WASHERS HAVE BEEN SUPPLIED AT 12" O.C. FOR INSULATION ATTACHMENT AT THE HIGH EAVE.
 FIELD NOTCH PANELS AS NEEDED TO ALLOW FOR PROPER END DAM FIT UP.



HIGH EAVE PARAPET DETAIL

"CFR" ROOF

SEE WALL SHEETING ERECTION NOTES FOR WALL PANEL FASTENER LOCATIONS

EI6070

NOTE: Some minor field work of the rake angle may be required if the minimum 10" height is held.

LAST REVISION
 DATE: 02/16/15
 BY: AK CHK: EGB

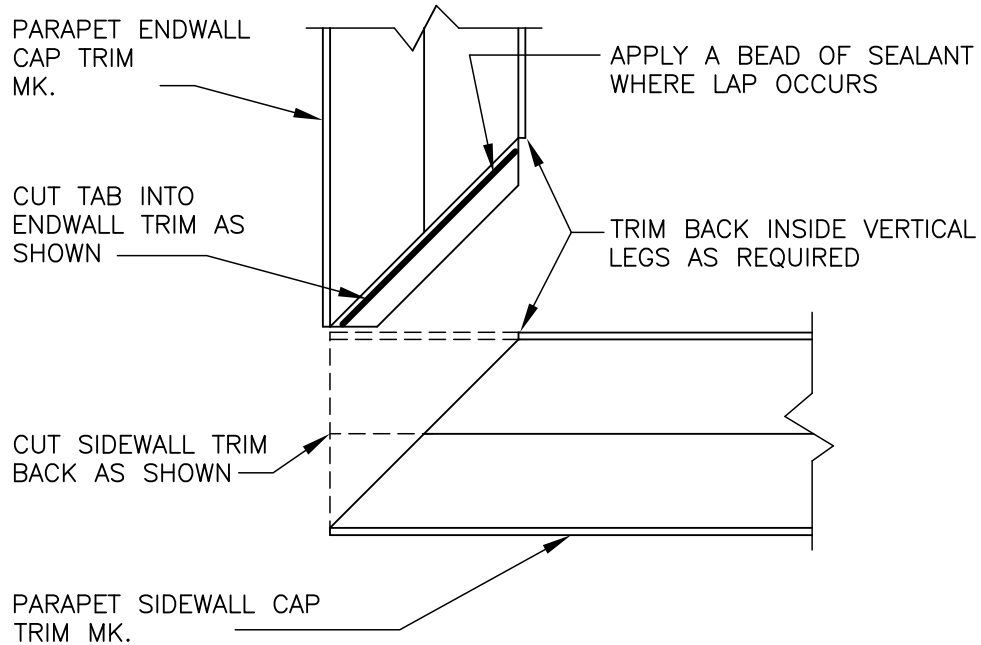
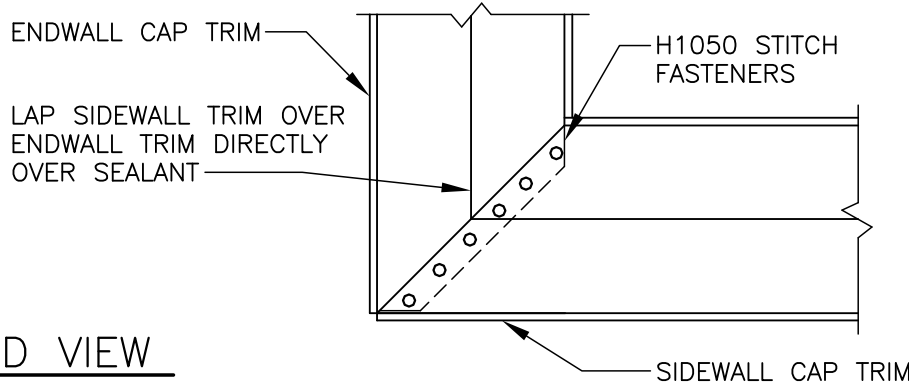
DETAIL NAME IF APPLICABLE
EI6070.DWG

7.6.9



PRODUCT & ENGINEERING MANUAL

HL0010 – CAP TRIM AT CORNER



NON-STRUCTURAL PARAPET CAP TRIM CORNER DETAIL

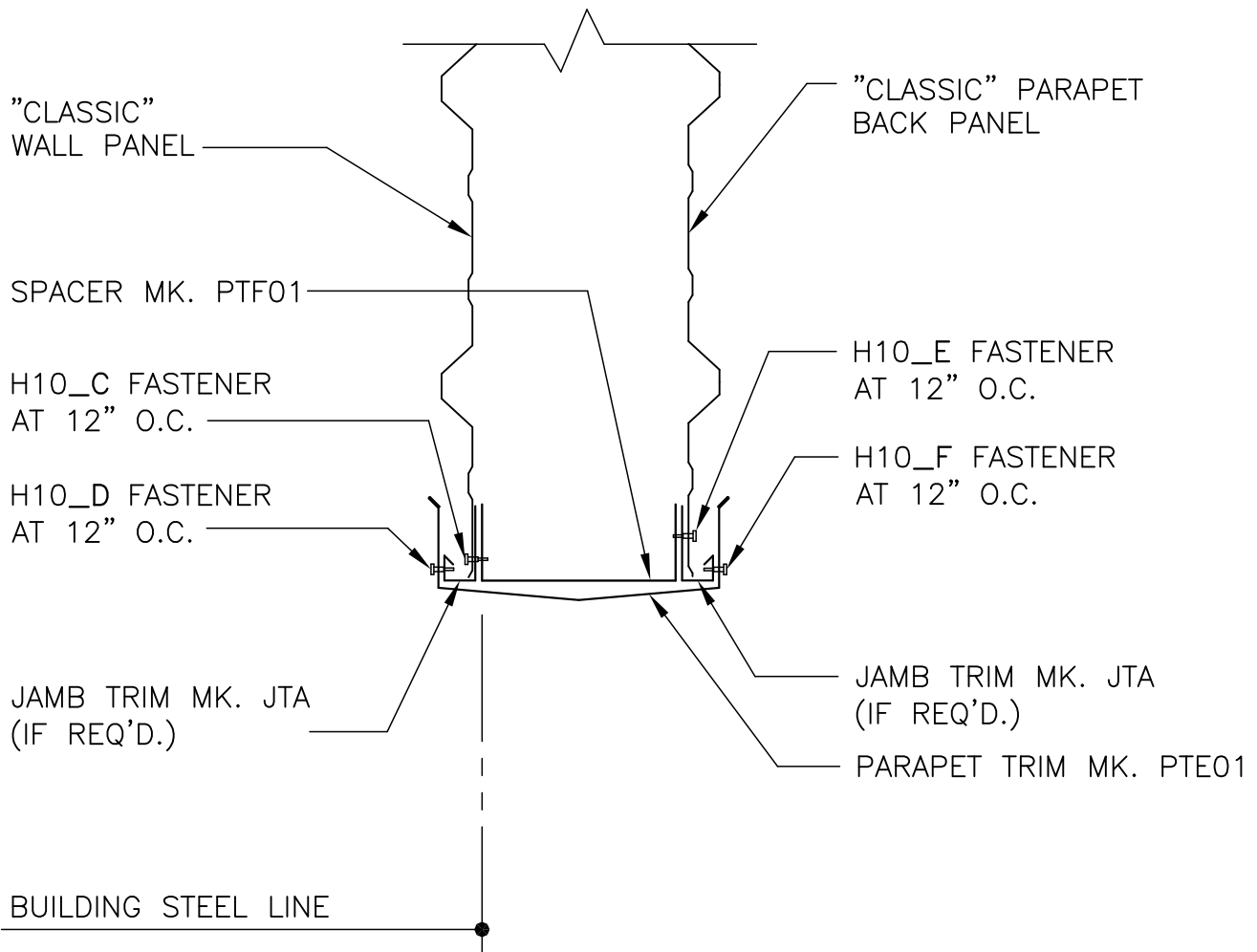
HL0010



PRODUCT & ENGINEERING MANUAL

TERMINATION DETAILS WITH BACKER PANEL

HL0020 – CLASSIC WALL PANEL



NON-STRUCTURAL PARAPET TERMINATION

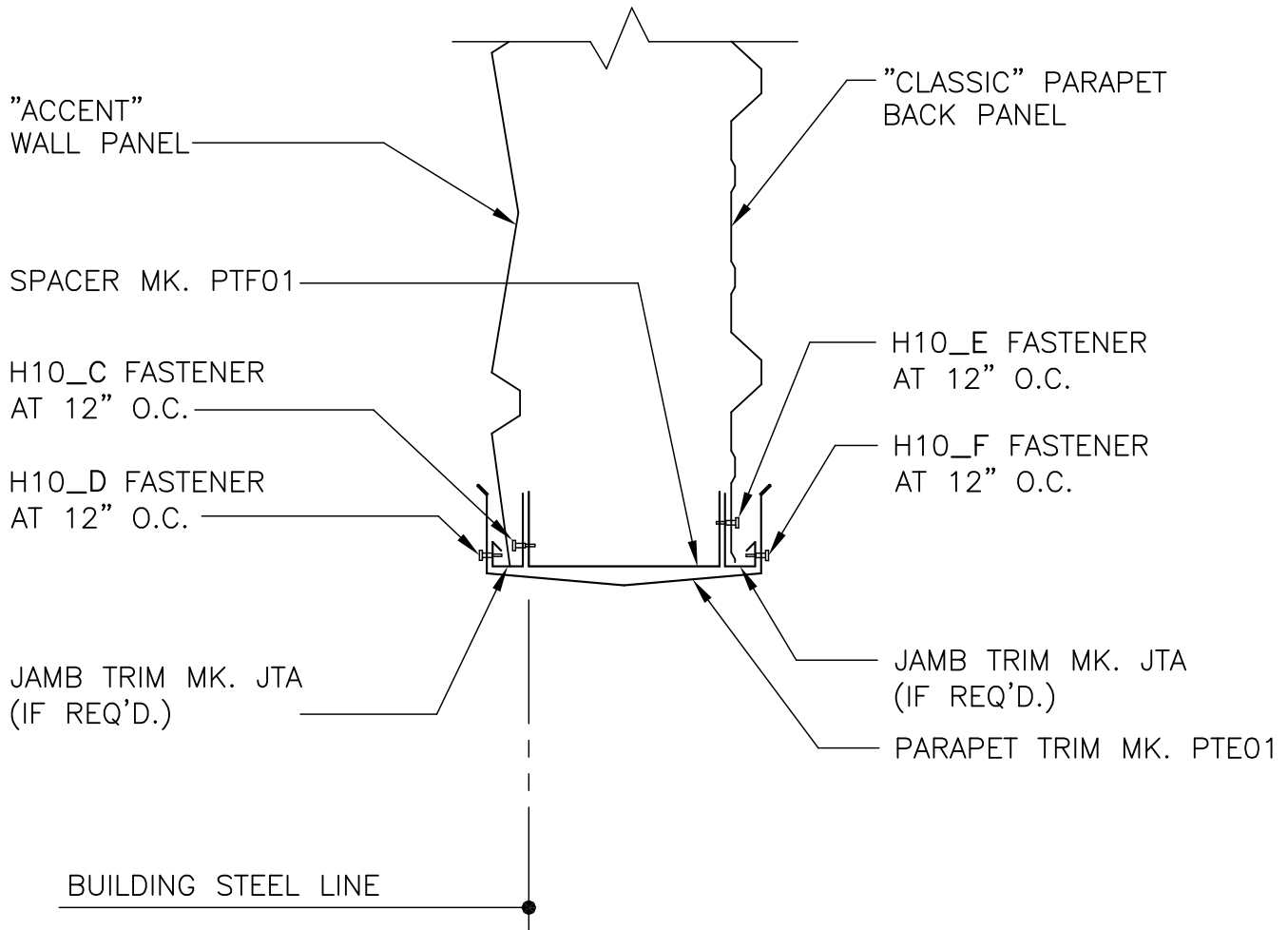
ABOVE ROOF

HL0020



PRODUCT & ENGINEERING MANUAL

HL0030 – ACCENT WALL PANEL



NON-STRUCTURAL PARAPET TERMINATION

ABOVE ROOF

HL0030

LAST REVISION
DATE: 02/16/15
BY: AK CHK: EGB

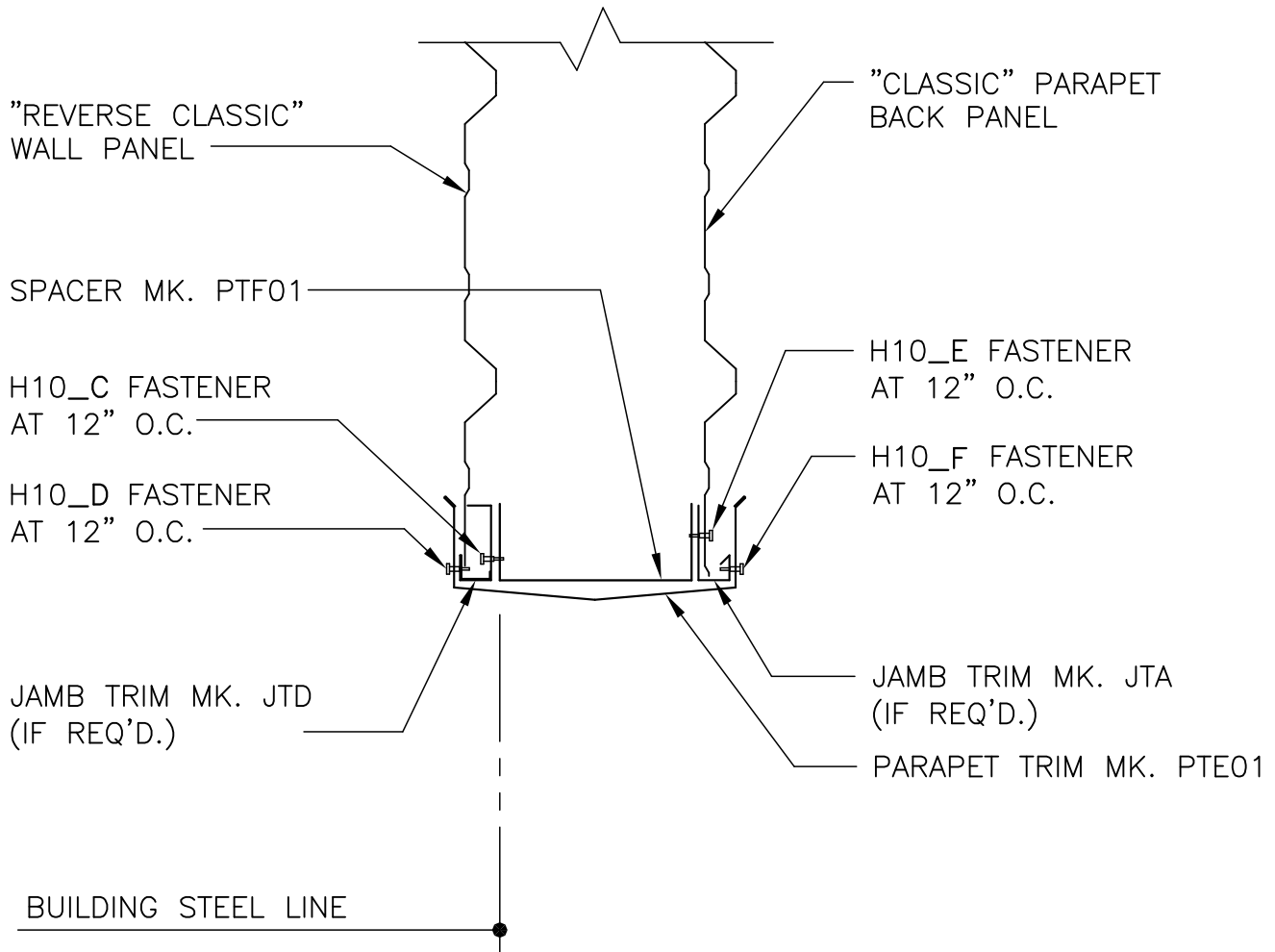
DETAIL NAME IF APPLICABLE
HL0030.DWG

7.6.12



PRODUCT & ENGINEERING MANUAL

HL0040 – REVERSE CLASSIC WALL PANEL



NON-STRUCTURAL PARAPET TERMINATION

ABOVE ROOF

HL0040

LAST REVISION
DATE: 02/16/15
BY: AK CHK: EGB

DETAIL NAME IF APPLICABLE
HL0040.DWG

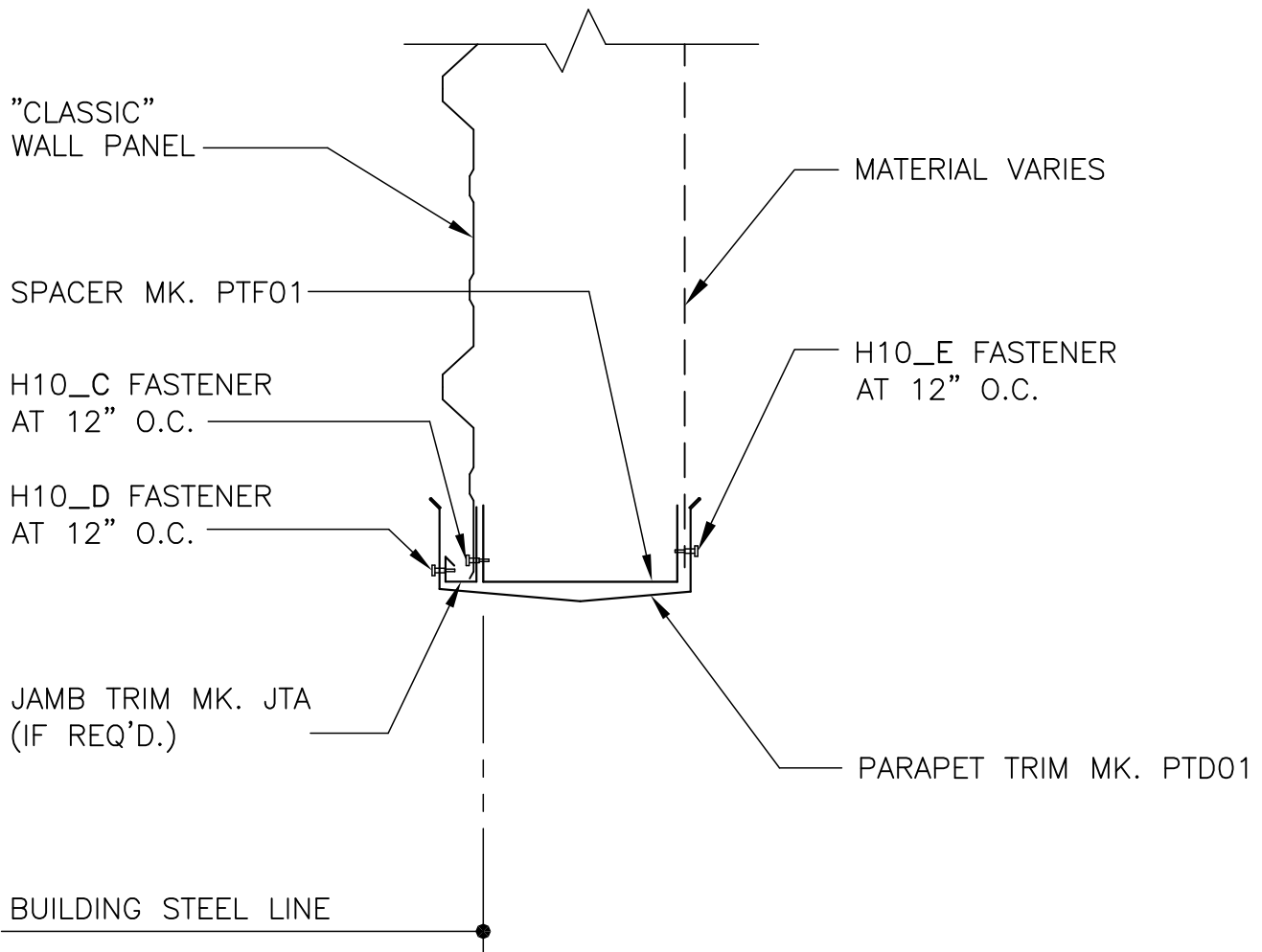
7.6.13



PRODUCT & ENGINEERING MANUAL

TERMINATION DETAILS WITHOUT BACKER PANEL

HL0120 – CLASSIC WALL PANEL



NON-STRUCTURAL PARAPET TERMINATION

ABOVE ROOF

HL0120

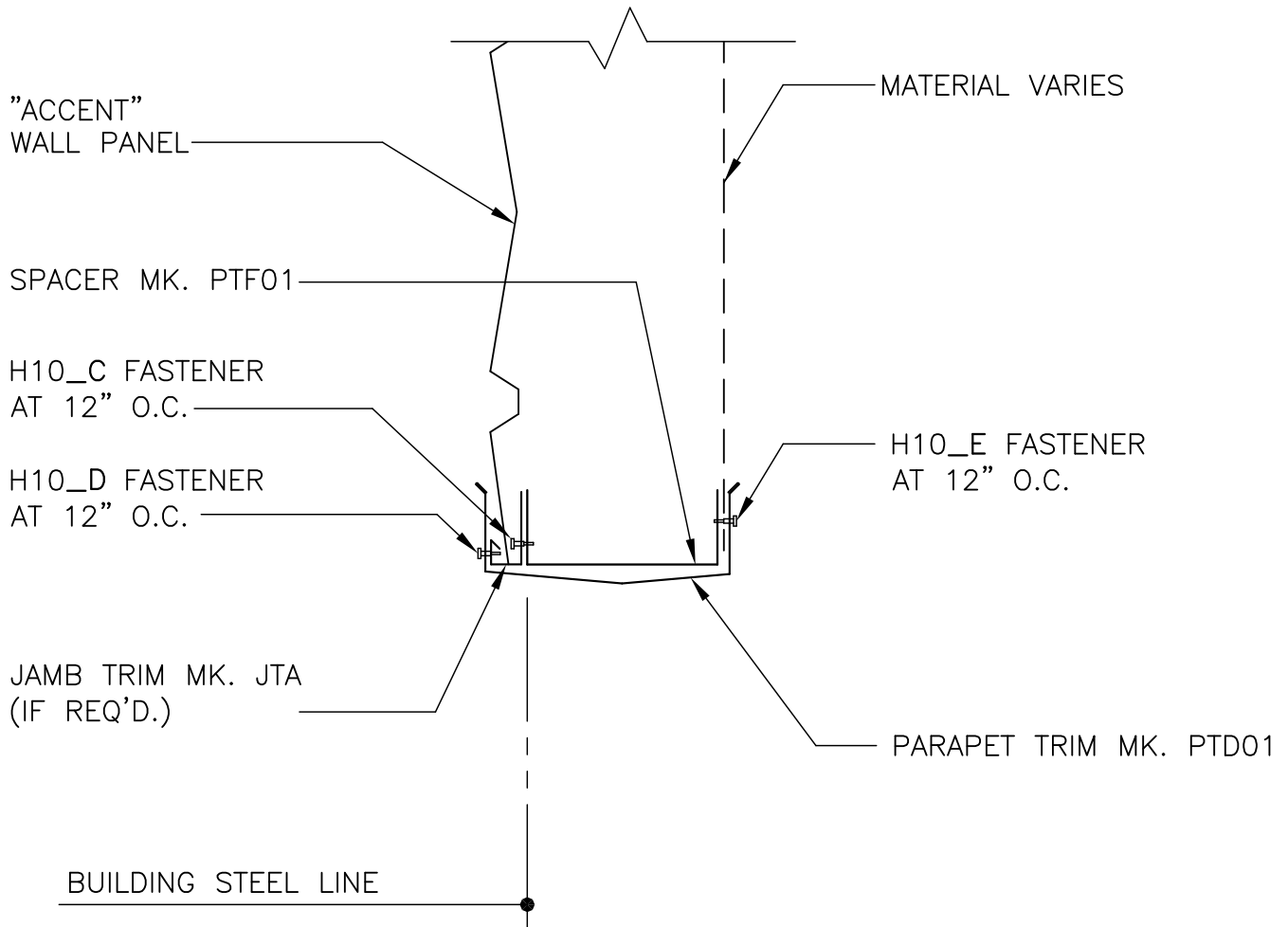
LAST REVISION
DATE: 02/16/15
BY: AK CHK: EGB

DETAIL NAME IF APPLICABLE
HL0120.DWG

7.6.14



HL0130 – ACCENT WALL PANEL



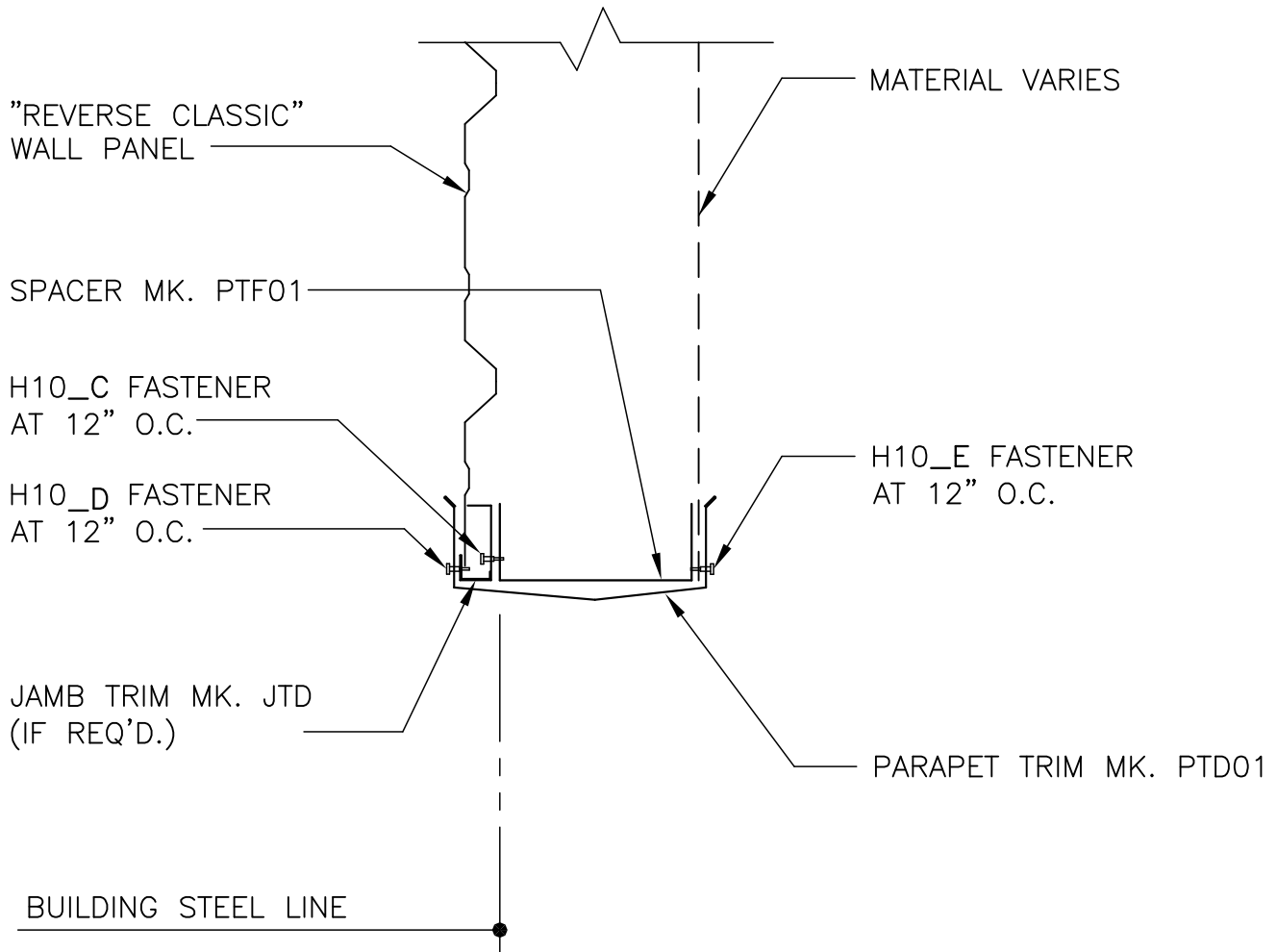
NON-STRUCTURAL PARAPET TERMINATION

ABOVE ROOF

HL0130



HL0140 – REVERSE CLASSIC WALL PANEL



NON-STRUCTURAL PARAPET TERMINATION

ABOVE ROOF

HL0140