



PRODUCT & ENGINEERING MANUAL

TABLE OF CONTENTS

General Information	2
IA0070 – Liner Panel Erection Note.....	3
AG0130 – Flange Brace @ Purlin And Rafter W/ Liner.....	4
IA0040 – Post And Beam Endwall Corner Column (Classic Wall).....	5
IA0010 – Panel Termination @ Interior Columns (Classic Wall)	6
IE0040 – Wall & Roof Liner @ Bypass Post And Beam Endwall	7
IE0041 – Wall & Roof Liner @ Flush/Inset Post And Beam Endwall.....	8
IE0010 – Wall Liner @ Rigid Frame Endwall.....	9
IE0030 – Wall & Roof Liner @ Rigid Frame Endwall.....	10
ID0010 – Low Eave Detail	11
ID0060 – High Eave Detail.....	12
ID0050 – Low Eave W/ Wall & Roof Liner	13
ID0080 – High Eave W/ Wall & Roof Liner	14
IF0010 – Ridge Liner Panel Detail	15
GA0052 – Classic Wall – Siding Lap	16
IA0080 – Roof Liner Panel Lap Detail.....	17
IC0020 – Finished Floor Base Detail W/ Base Channel	18
IC0010 – Finished Floor Base Detail W/ Base Angle	19
IC0040 – Curb Wall W/ Base Channel.....	20
ID0100 – Cap Trim @ Partial Height Wall Liner	21
IG0050 – Framed Opening Jamb Detail @ Classic Liner.....	22
IG0090 – Framed Opening Header Detail @ Liner Panel	23
IG0100 – Framed Opening Sill Detail @ Liner Panel	24
IG0080 – Header Detail @ Flat Stock Liner	25



GENERAL INFORMATION

1. The standard wall and ceiling liner panel configuration is 28 gage Nucor Classic Wall™ profile panel painted Polar White (Silicone Polyester).
2. Wall and ceiling liner panels are also available in 26 gage in Nucor Classic Wall™, Nucor Accent Wall™, or Nucor Reverse Classic Wall™ panel profiles in the same colors and finishes as standard wall panel.
3. Indicate wall and ceiling liner locations in the appropriate location(s) of the order documents or on the sketch at time of order entry.

Wall Liner Panel Notes:

For wall liner panel, the following are Nucor Building Systems standards:

1. Jamb trim is supplied at columns and the roof line.
2. Base trim is supplied as specified on the order documents.
3. Cap trim is supplied as specified on the order documents.
4. Wall liner panel may be full height or partial height. The Nucor Building Systems standard partial height wall liner panel height is panel to 8'-0" above finish floor.
5. If liner panel height is other than 8'-0 or full height, an additional girt run may be required to support the top of the liner panel. Contact your engineering team if assistance is needed.

Roof Liner Panel Notes:

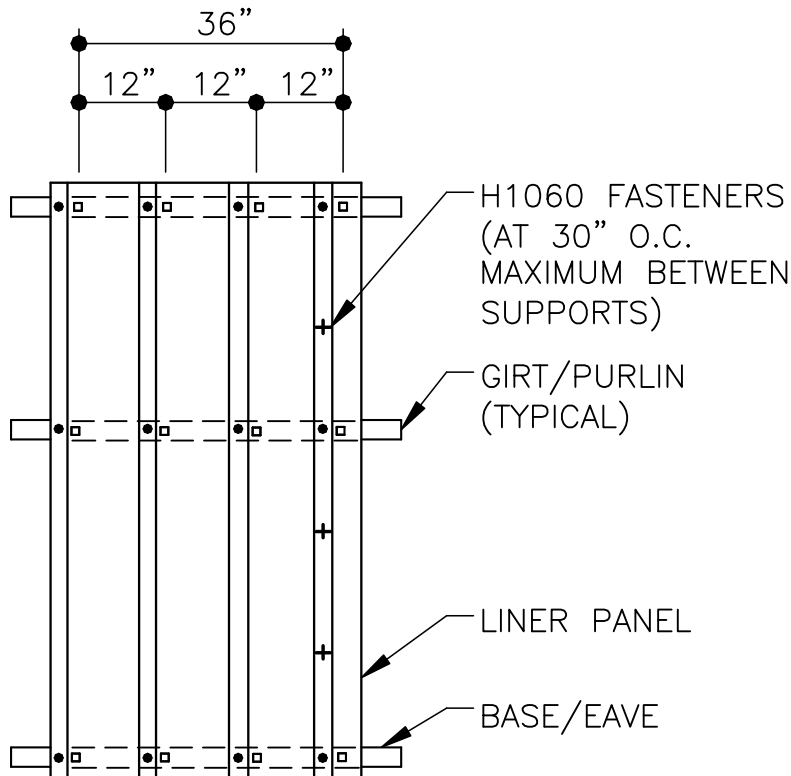
1. Full ceiling roof liner is typically not allowed on projects with roof joists.
2. Liner panel has no affect on purlin bracing requirements for Classic Roof™, CFR™ or VR16 II™ standing seam, or Insulated Metal Panel roof systems.
3. Roof liner panel is typically shipped in maximum 20'-0 lengths for ease of erection. Longer lengths are available as noted in the order documents.



IA0070 – LINER PANEL ERECTION NOTE

ERECTOR NOTE:

THE ERECTION OF THE LINER PANEL MUST BE COORDINATED PROPERLY WITH THE BRACING AND BRACE STRUTS TO ENSURE PROPER FIT-UP. IT IS THE ERECTOR'S RESPONSIBILITY TO ENSURE THAT THE STRUCTURE IS ADEQUATELY BRACED DURING THE ERECTION PROCESS. TEMPORARY REMOVAL OF BRACING AND BRACE STRUTS IS ACCEPTABLE FOR LINER PANEL ERECTION, PROVIDED ADEQUATE TEMPORARY BRACING IS USED.



FASTENER CHART	
+	STITCH FASTENER H1060
□	STRUCTURAL FASTENER H1040 AT "CLASSIC" PANEL
●	STRUCTURAL FASTENER H1040 AT "REVERSE CLASSIC" H1040 AT "ACCENT" PANEL

IA0070

WALL AND CEILING LINER PANEL ERECTION NOTES

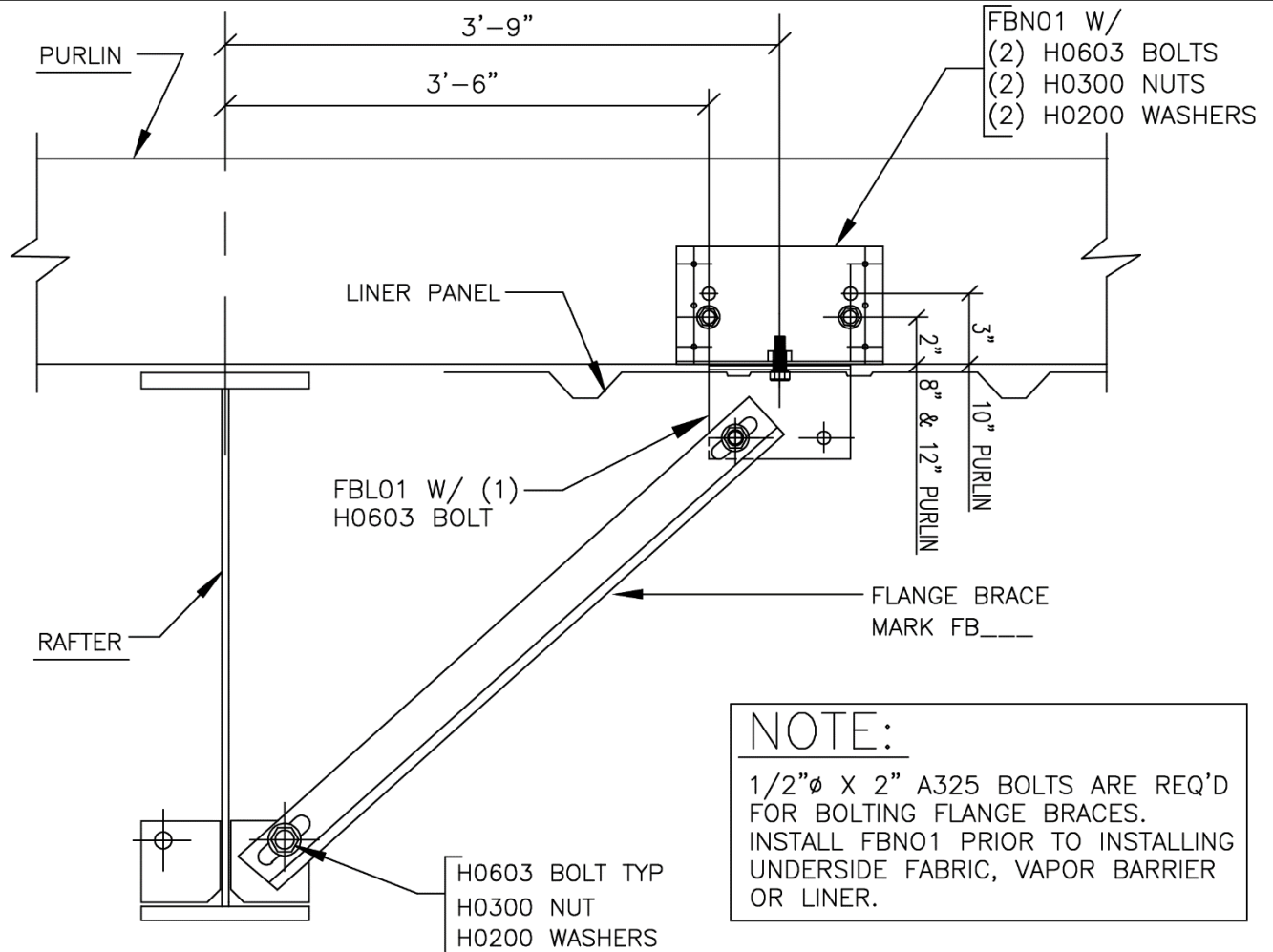
(PANELS 36" NET LAY)



PRODUCT & ENGINEERING MANUAL

AG0130 – FLANGE BRACE @ PURLIN AND RAFTER W/ LINER

NOTE: FIELD DRILL HOLE IN LINER PANEL AT THROUGH BOLT LOCATIONS.
FIELD CUT &/OR FLATTEN PANEL RIB IF INTERFERENCE WITH FLANGE BRACE CLIP OCCURS



AG0130

TYP FLANGE BRACE @ PURLIN & RAFTER

NOTES: SEE PLANS AND ELEVATIONS FOR FLANGE BRACE PART MARKS

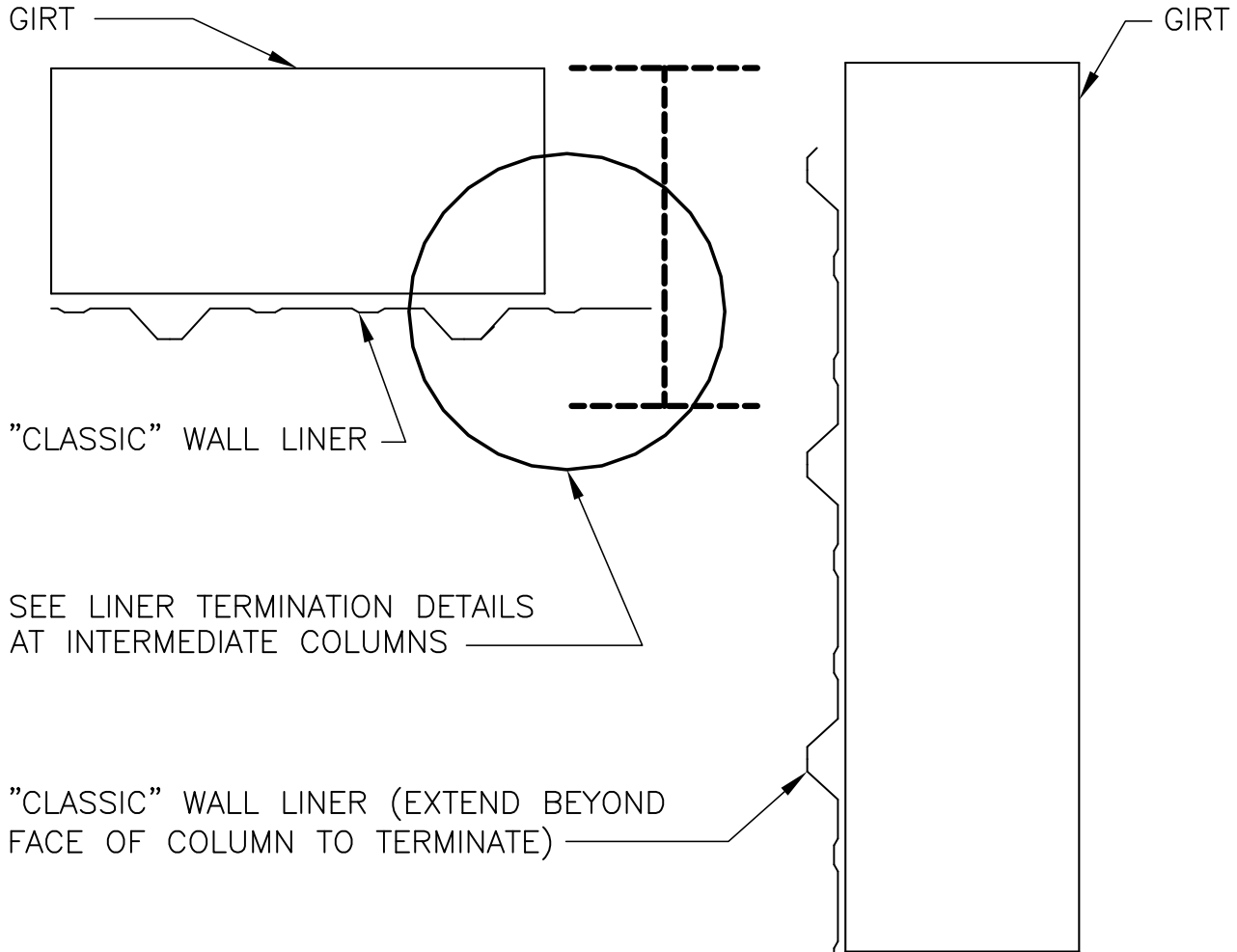
LAST REVISION
DATE: 02/23/17
BY: EGB CHK: AES

DETAIL NAME IF APPLICABLE
AG0130.DWG

7.5.4



IA0040 – POST AND BEAM ENDWALL CORNER COLUMN (CLASSIC WALL)



"CLASSIC" LINER INSIDE CORNER

PANEL TERMINATION AT CORNER COLUMNS

IA0040



PRODUCT & ENGINEERING MANUAL

IA0010 – PANEL TERMINATION @ INTERIOR COLUMNS (CLASSIC WALL)

<p>BUILT UP COLUMN (FLANGE EXTENDS PAST INSIDE FACE OF GIRT)</p>	<p>BUILT UP COLUMN (FLANGE EXTENDS PAST INSIDE FACE OF GIRT)</p>	<p>BUILT UP COLUMN (FLANGE FLUSH TO INSIDE FACE OF GIRT)</p>								
		<p style="text-align: center;">PARTS LEGEND</p> <table border="1"> <tr> <td data-bbox="1081 800 1203 867"> </td> <td data-bbox="1260 783 1382 888"> <p>MAG01 GIRT ANGLE WITH (2) H1020 FASTENERS</p> </td> </tr> <tr> <td data-bbox="1049 936 1235 961"> </td> <td data-bbox="1260 909 1382 1014"> <p>MAG02 GIRT ANGLE WITH (2) H1020 FASTENERS</p> </td> </tr> <tr> <td data-bbox="1114 1062 1170 1094"> </td> <td data-bbox="1260 1035 1446 1140"> <p>HTD___ H1040 EACH SUPPORT, H1060 12" O.C. BETWEEN</p> </td> </tr> <tr> <td data-bbox="1114 1209 1170 1230"> </td> <td data-bbox="1260 1161 1398 1266"> <p>CTA01 CAP TRIM WITH H1100 RIVETS AT 36" O.C.</p> </td> </tr> </table>		<p>MAG01 GIRT ANGLE WITH (2) H1020 FASTENERS</p>		<p>MAG02 GIRT ANGLE WITH (2) H1020 FASTENERS</p>		<p>HTD___ H1040 EACH SUPPORT, H1060 12" O.C. BETWEEN</p>		<p>CTA01 CAP TRIM WITH H1100 RIVETS AT 36" O.C.</p>
	<p>MAG01 GIRT ANGLE WITH (2) H1020 FASTENERS</p>									
	<p>MAG02 GIRT ANGLE WITH (2) H1020 FASTENERS</p>									
	<p>HTD___ H1040 EACH SUPPORT, H1060 12" O.C. BETWEEN</p>									
	<p>CTA01 CAP TRIM WITH H1100 RIVETS AT 36" O.C.</p>									
<p>BUILT UP COLUMN (FLANGE INSET TO INSIDE FACE OF GIRT)</p>	<p>BUILT UP COLUMN OR RAFTER (GIRT OR PURLIN BYPASSES FRAME)</p>									
<p>SINGLE OR DOUBLE CEE COLUMN (FLANGE INSET TO INSIDE FACE OF GIRT)</p>	<p>SINGLE OR DOUBLE CEE COLUMN (FLANGE FLUSH TO INSIDE FACE OF GIRT)</p>									
<p>SINGLE OR DOUBLE CEE COLUMN (FLANGE EXTENDS PAST INSIDE FACE OF GIRT)</p>	<p>SINGLE CEE COLUMN (GIRT BYPASSES FRAME)</p>	<p>SINGLE-DOUBLE 12" CEE COLUMN (FLANGE EXTENDS PAST INSIDE FACE OF GIRT)</p>								

"CLASSIC" LINER TERMINATION DETAILS AT INTERMEDIATE COLUMNS

IA0010

LAST REVISION
DATE: 04/14/14
BY: AES CHK: RJF

DETAIL NAME IF APPLICABLE
IA0010.DWG

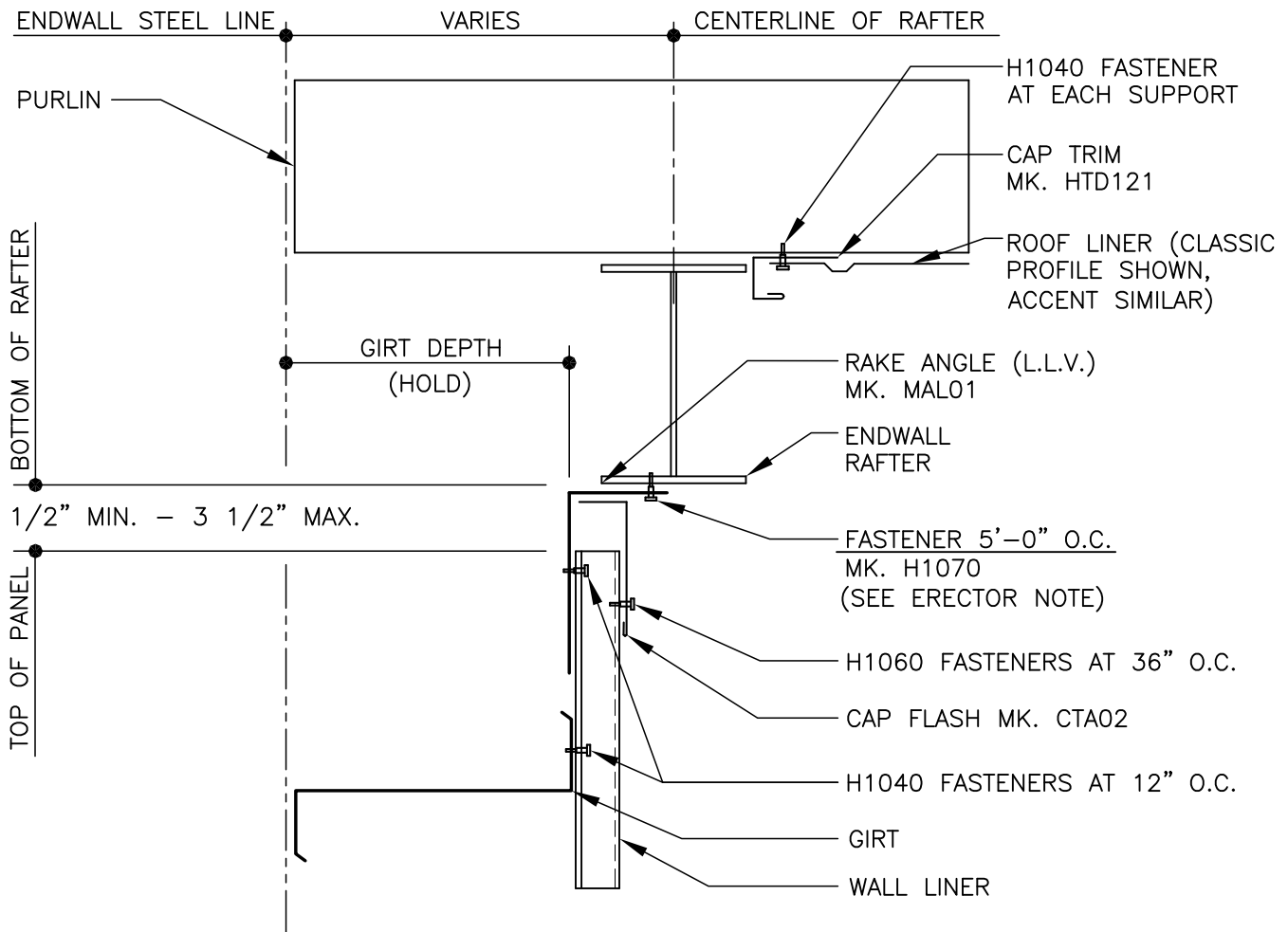
7.5.6



PRODUCT & ENGINEERING MANUAL

IE0040 – WALL & ROOF LINER @ BYPASS POST AND BEAM ENDWALL

ERECTOR NOTE: WHEN FLANGE THICKNESS EXCEEDS 1/2", A 5/32" PILOT HOLE IS REQUIRED AT RAKE ANGLE TO RAFTER ATTACHMENT.



LINER PANEL AT RAKE DETAIL

FULL HEIGHT WALL LINER AT BYPASS ENDWALL GIRTS WITH CEILING LINER (POST AND BEAM ENDWALL)

IE0040

LAST REVISION
 DATE: 04/14/14
 BY: AES CHK: RJF

DETAIL NAME IF APPLICABLE
IE0040.DWG

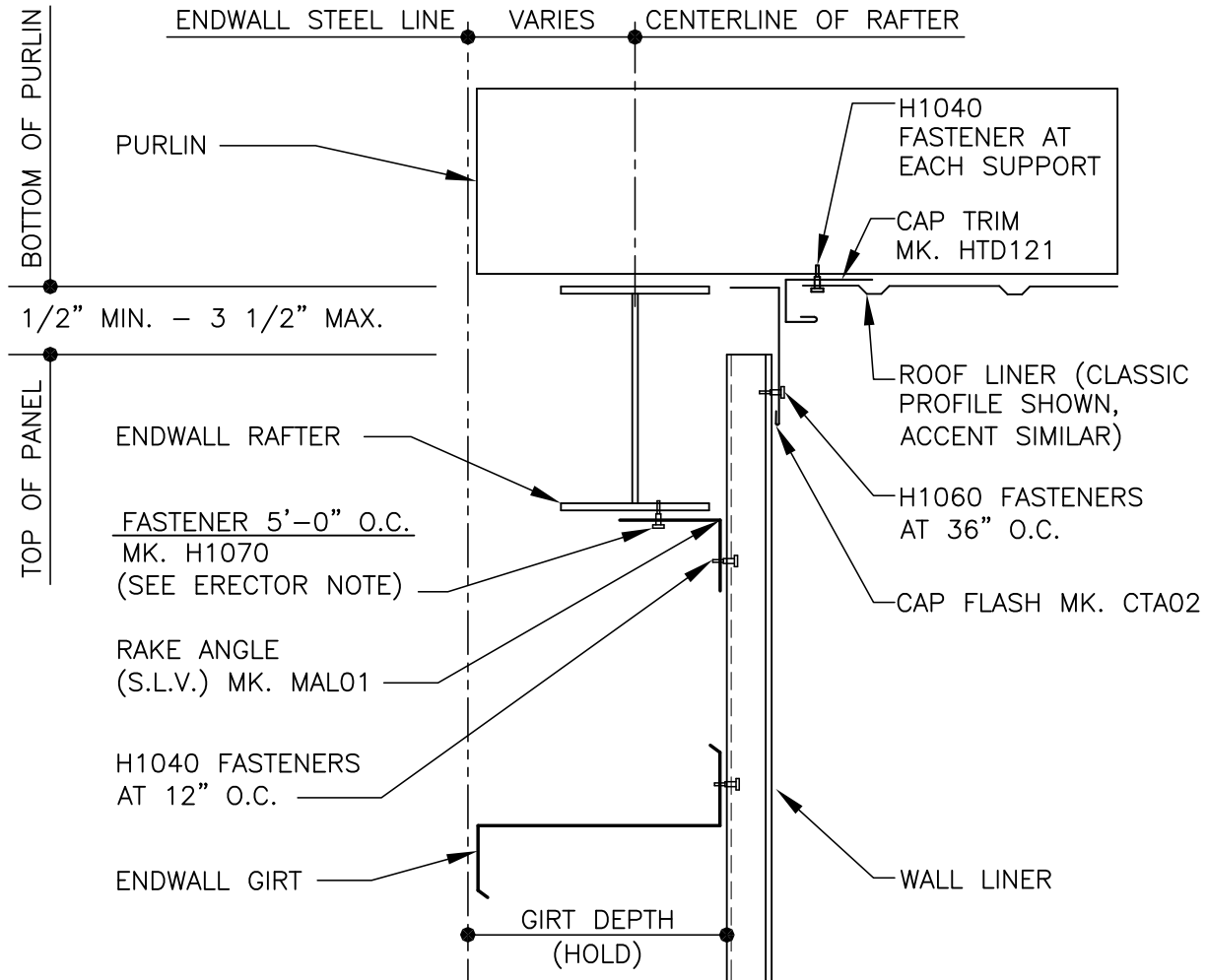
7.5.7



PRODUCT & ENGINEERING MANUAL

IE0041 – WALL & ROOF LINER @ FLUSH/INSET POST AND BEAM ENDWALL

ERECTOR NOTE: WHEN FLANGE THICKNESS EXCEEDS 1/2", A 5/32" PILOT HOLE IS REQUIRED AT RAKE ANGLE TO RAFTER ATTACHMENT.



LINER PANEL AT RAKE DETAIL

FULL HEIGHT WALL LINER AT INSET OR FLUSH GIRTS WITH CEILING LINER (POST AND BEAM ENDWALL)

IE0041

LAST REVISION
DATE: 04/14/14
BY: AES CHK: RJF

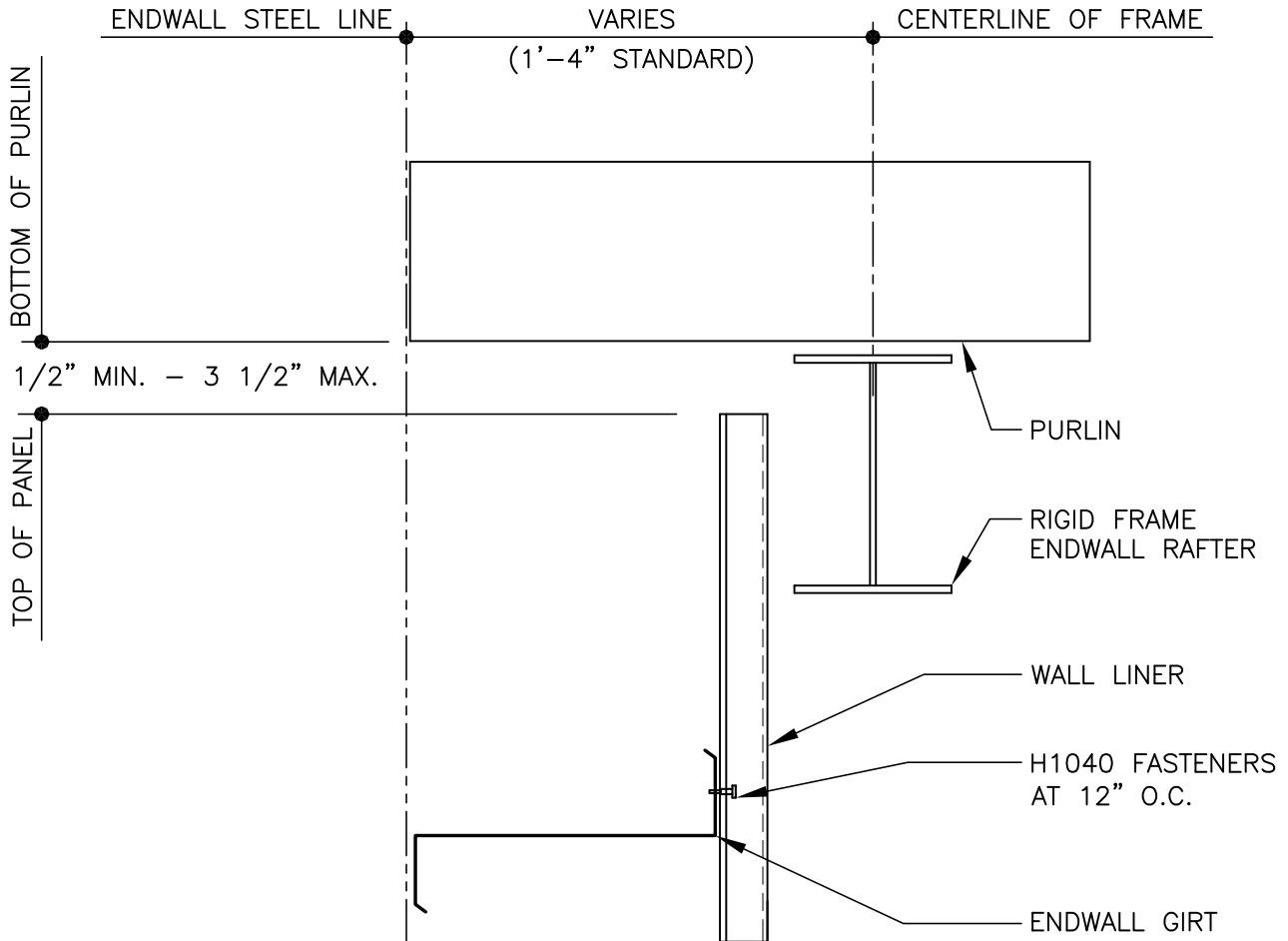
DETAIL NAME IF APPLICABLE
IE0041.DWG

7.5.8



PRODUCT & ENGINEERING MANUAL

IE0010 – WALL LINER @ RIGID FRAME ENDWALL



LINER PANEL AT RAKE DETAIL

FULL HEIGHT WALL LINER (FULL FRAME ENDWALL)

IE0010

LAST REVISION
DATE: 04/14/14
BY: AES CHK: RJF

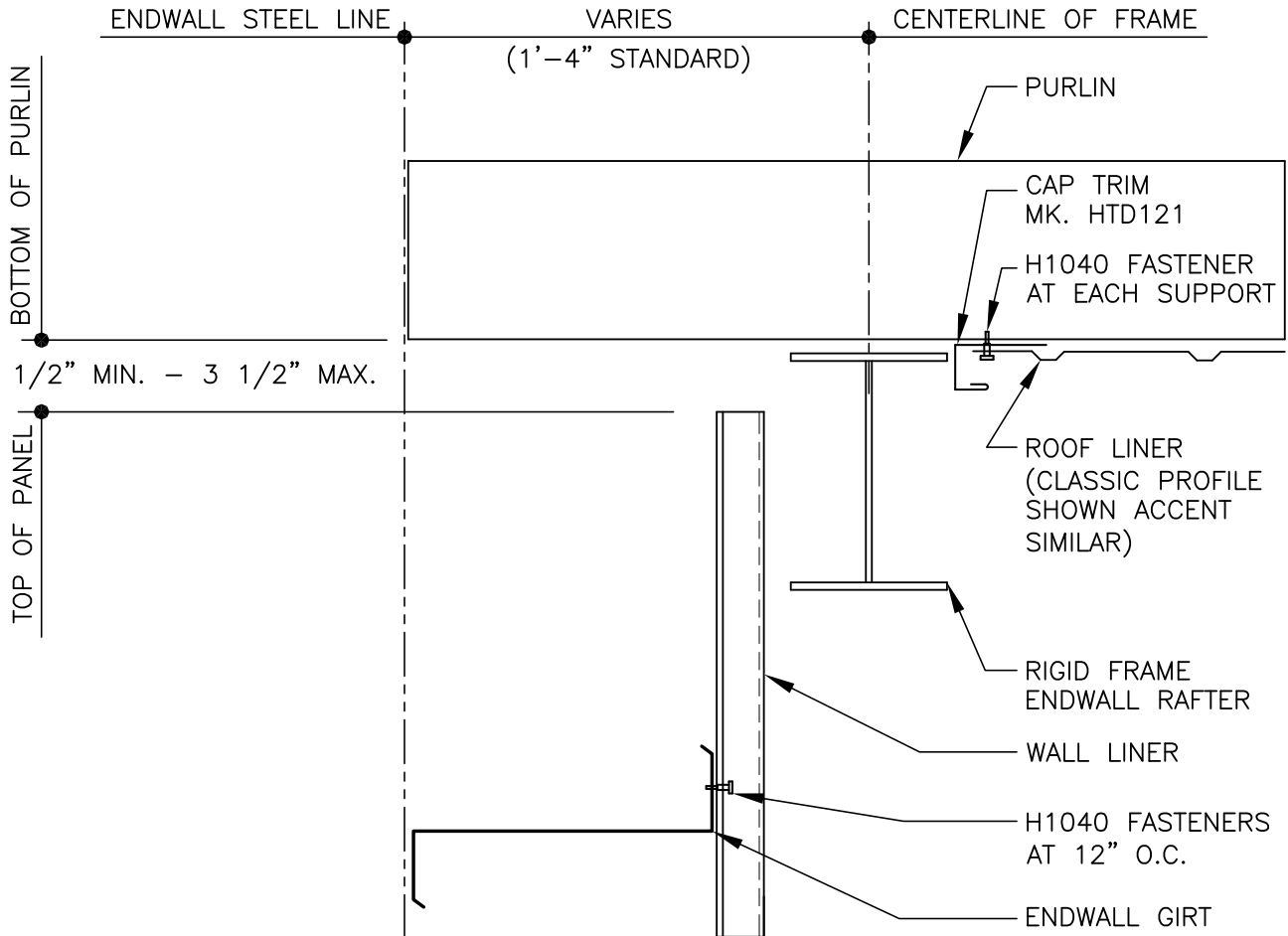
DETAIL NAME IF APPLICABLE
IE0010.DWG

7.5.9



PRODUCT & ENGINEERING MANUAL

IE0030 – WALL & ROOF LINER @ RIGID FRAME ENDWALL



LINER PANEL AT RAKE DETAIL

FULL HEIGHT WALL LINER (FULL FRAME ENDWALL)
WITH CLASSIC OR ACCENT CEILING LINER

IE0030

LAST REVISION
DATE: 04/14/14
BY: AES CHK: RJF

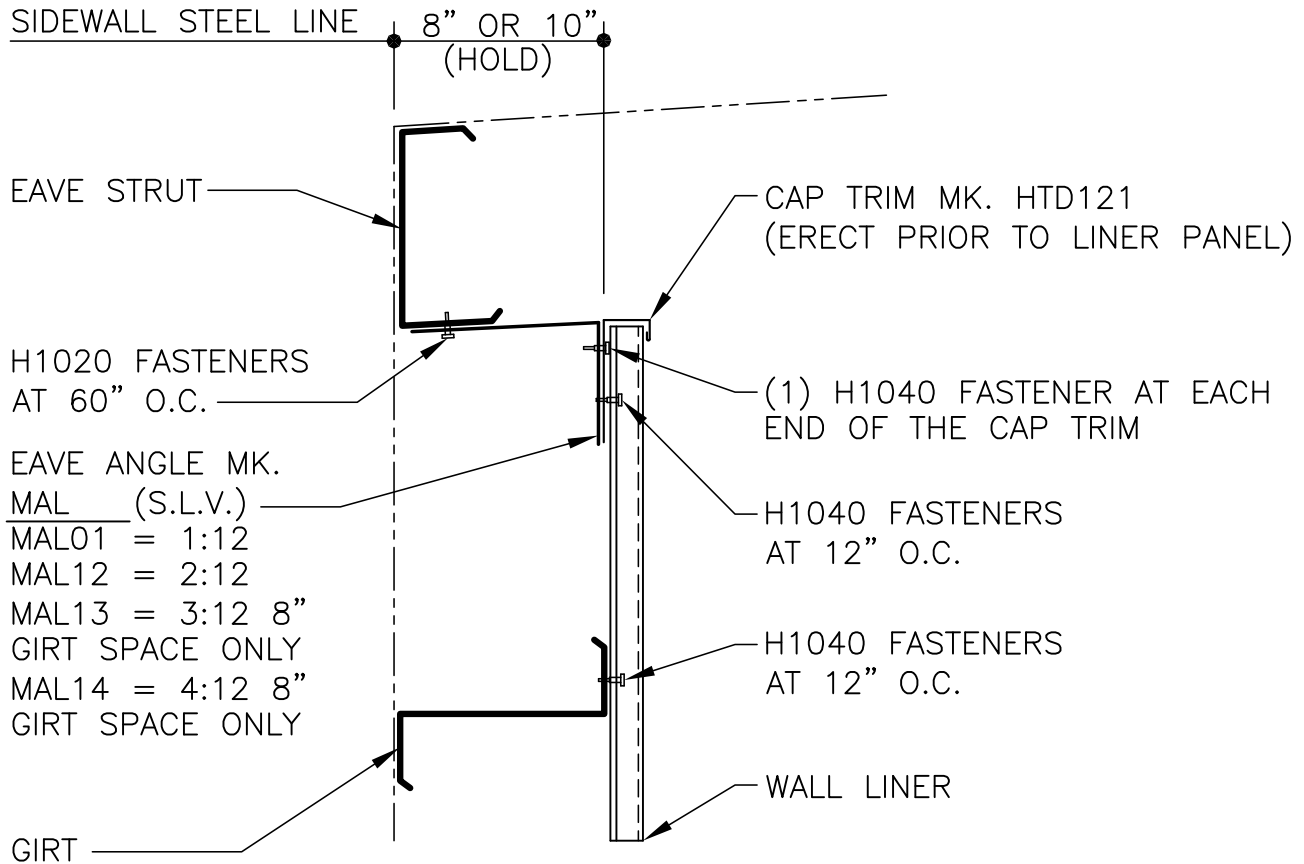
DETAIL NAME IF APPLICABLE
IE0030.DWG

7.5.10



PRODUCT & ENGINEERING MANUAL

ID0010 – LOW EAVE DETAIL



LOW EAVE LINER PANEL DETAIL

FULL HEIGHT LINER (FOR SLOPES \leq TO 4:12)

ID0010

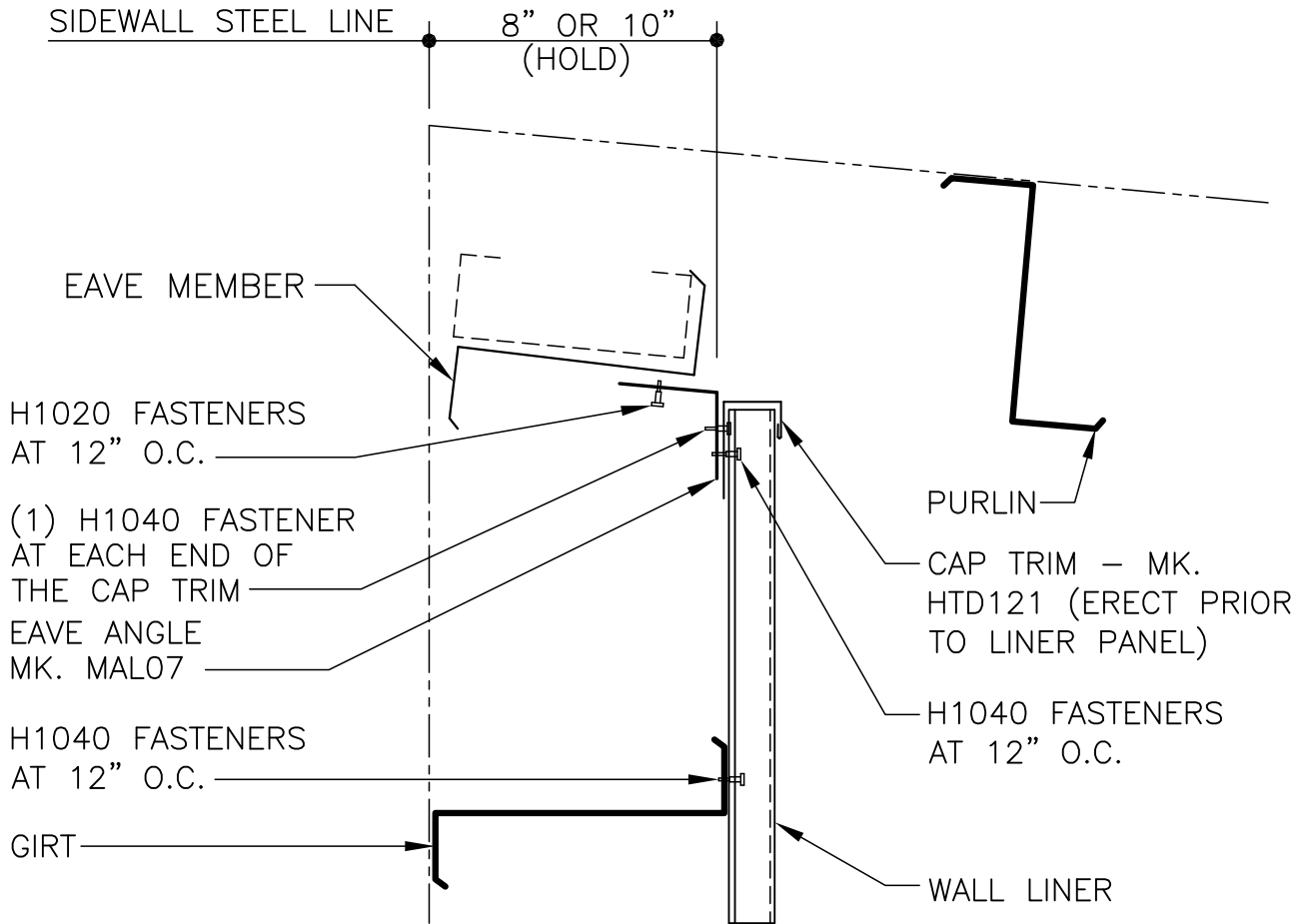
LAST REVISION
DATE: 04/14/14
BY: AES CHK: RJF

DETAIL NAME IF APPLICABLE
ID0010.DWG

7.5.11



ID0060 – HIGH EAVE DETAIL



HIGH EAVE LINER PANEL DETAIL

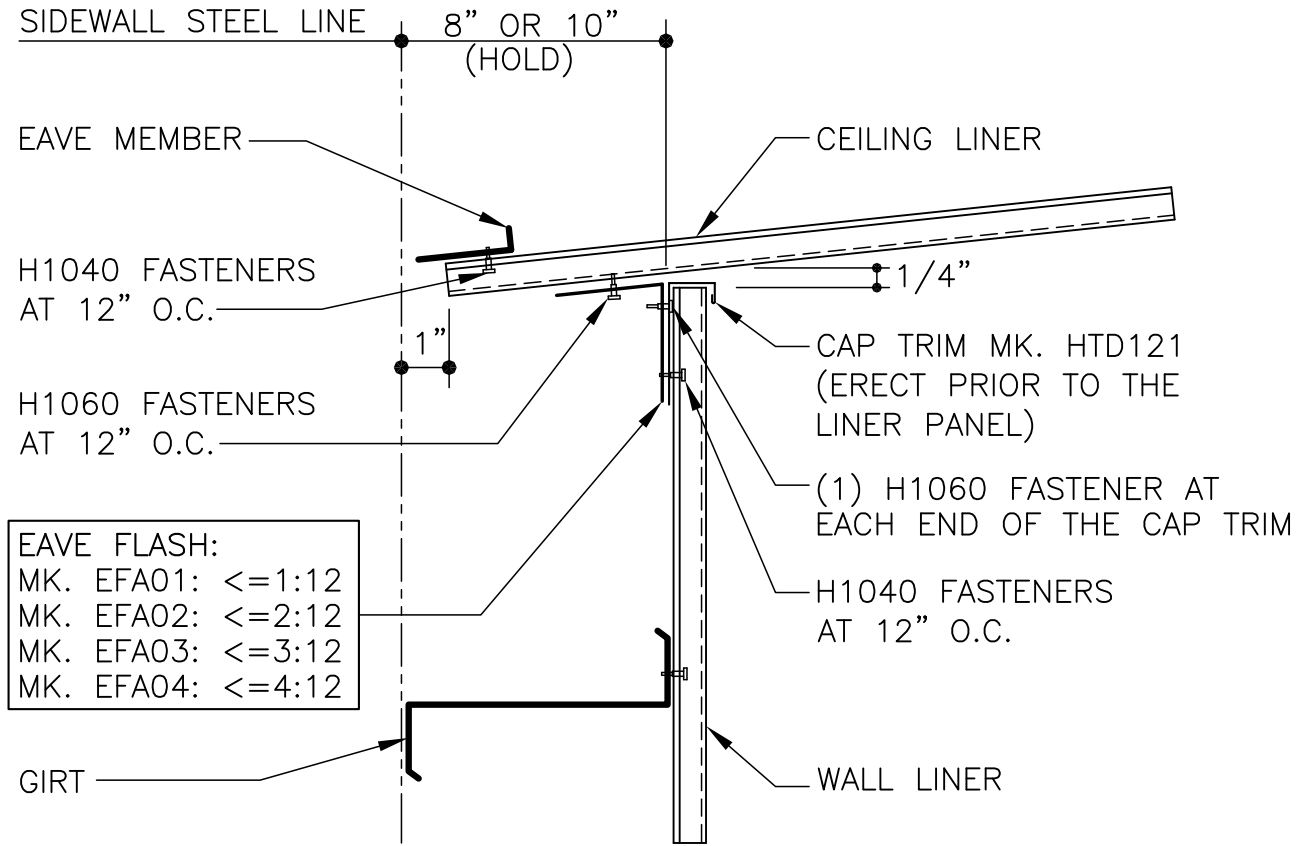
FULL HEIGHT LINER (FOR SLOPES $\leq 1:12$)

ID0060



PRODUCT & ENGINEERING MANUAL

ID0050 – LOW EAVE W/ WALL & ROOF LINER



LOW EAVE LINER PANEL DETAIL

FULL HEIGHT LINER WITH CEILING LINER

ID0050

LAST REVISION
DATE: 04/14/14
BY: AES CHK: RJF

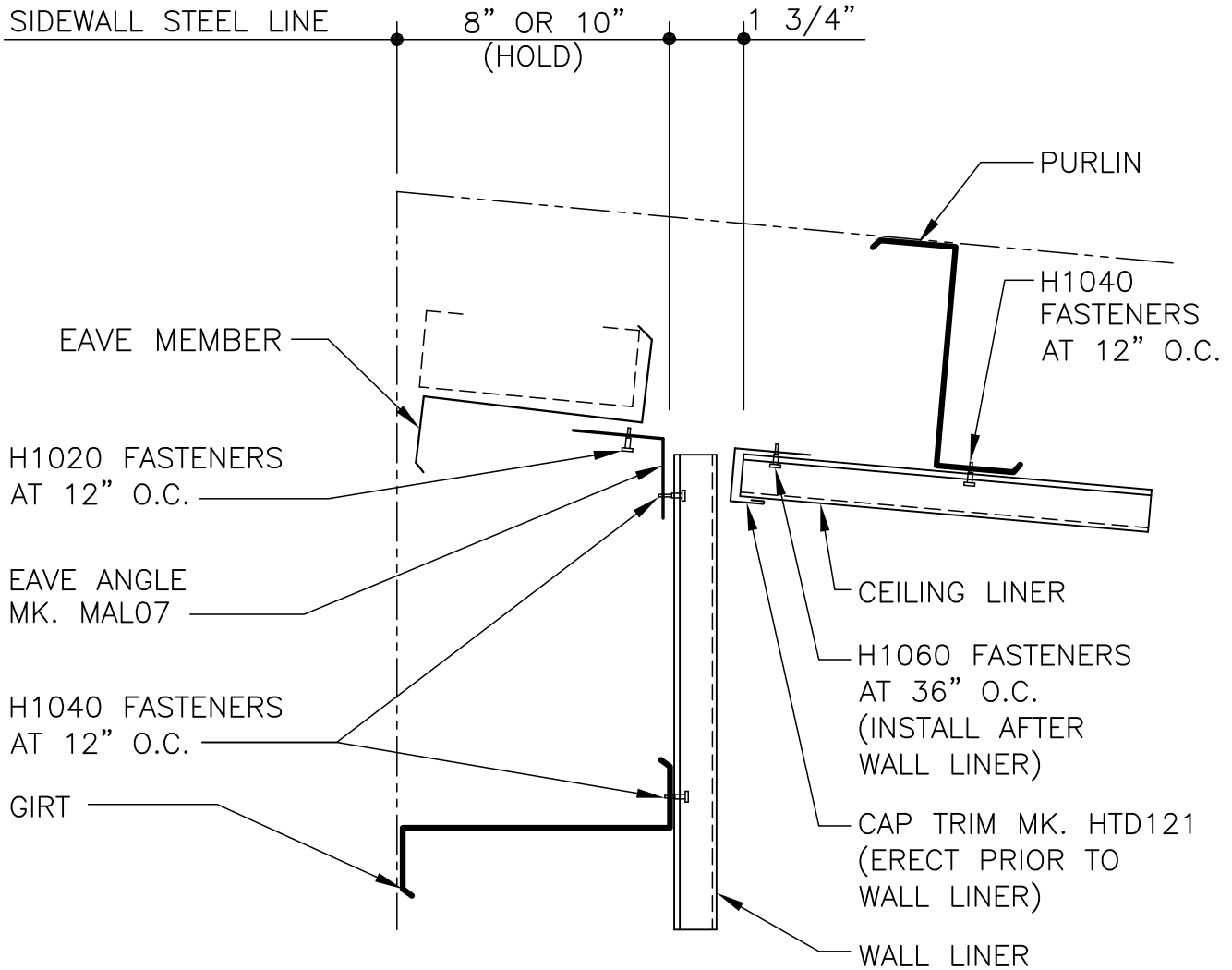
DETAIL NAME IF APPLICABLE
ID0050.DWG

7.5.13



PRODUCT & ENGINEERING MANUAL

ID0080 – HIGH EAVE W/ WALL & ROOF LINER



HIGH EAVE LINER PANEL DETAIL

FULL HEIGHT WALL LINER WITH CEILING LINER
(FOR SLOPES \leq 1:12)

ID0080

LAST REVISION
DATE: 04/14/14
BY: AES CHK: _____

DETAIL NAME IF APPLICABLE
ID0080.DWG

7.5.14

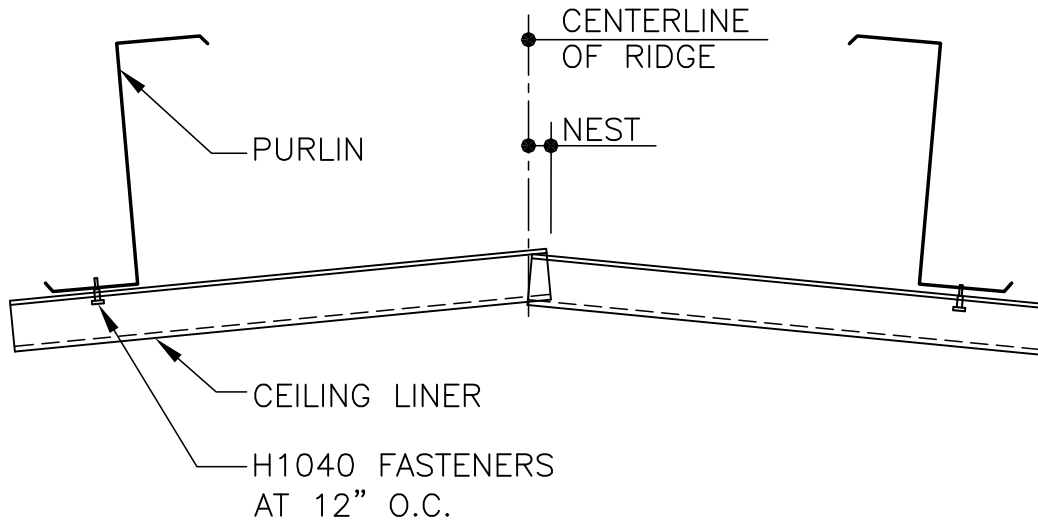


PRODUCT & ENGINEERING MANUAL

IF0010 – RIDGE LINER PANEL DETAIL

ERECTOR NOTE:

EXTEND THE LINER PANEL PAST CENTERLINE ON ONE SIDE OF THE RIDGE, ENOUGH TO NEST INSIDE OF MATING PANEL. THE PANEL LOCATION AT THE LAP OR EAVE WILL VARY DUE TO THE PANEL OFFSET.



RIDGE LINER PANEL DETAIL

ROOF LINER ($\leq 1:12$ SLOPE)

IF0010

LAST REVISION
DATE: 04/14/14
BY: AES CHK: RJF

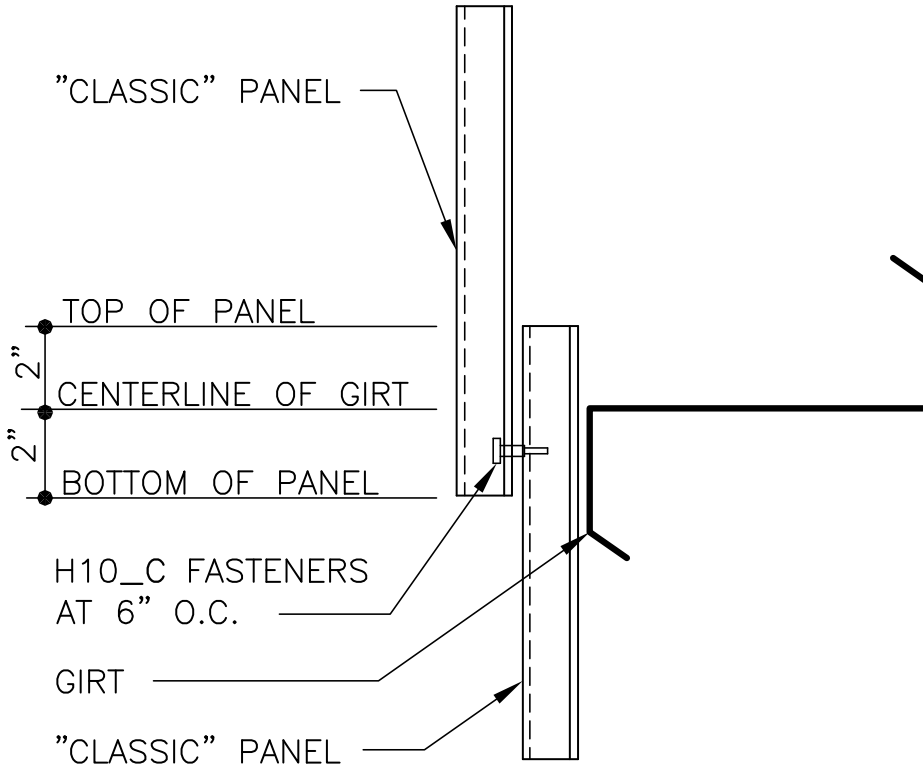
DETAIL NAME IF APPLICABLE
IF0010.DWG

7.5.15



PRODUCT & ENGINEERING MANUAL

GA0052 – CLASSIC WALL – SIDING LAP



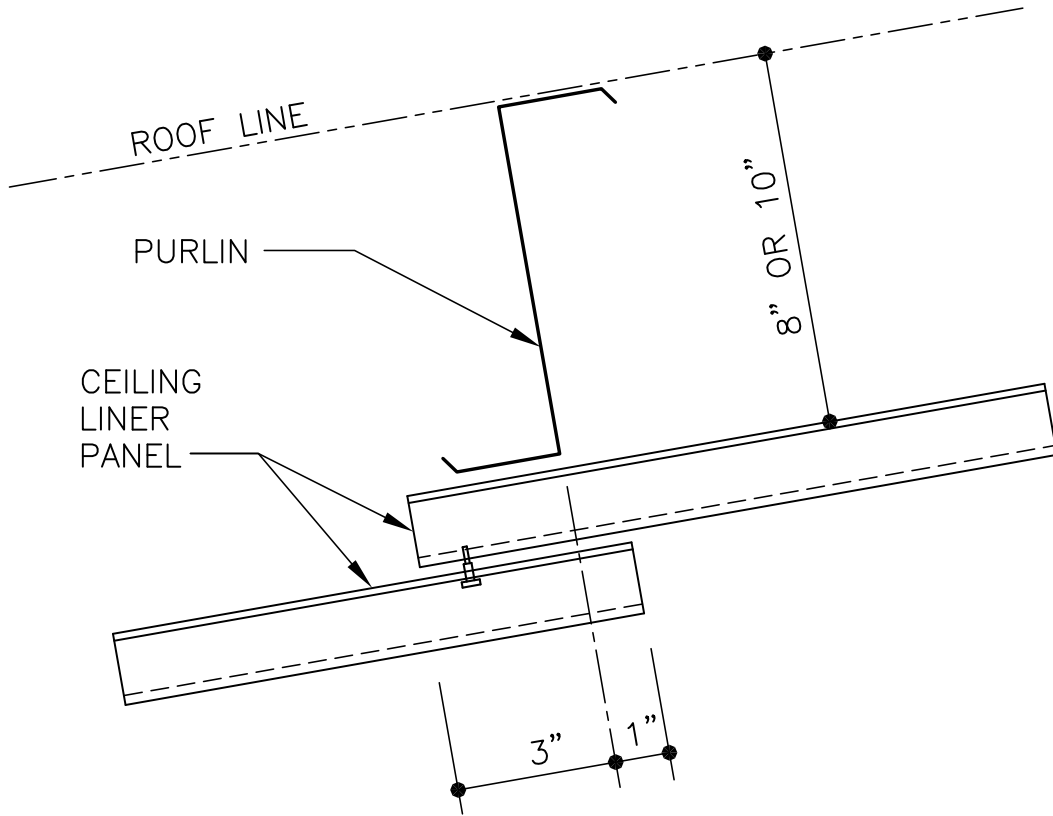
STANDARD WALL PANEL LAP

"CLASSIC" PANEL

GA0052



IA0080 – ROOF LINER PANEL LAP DETAIL



CEILING LINER PANEL LAP DETAIL

IA0080

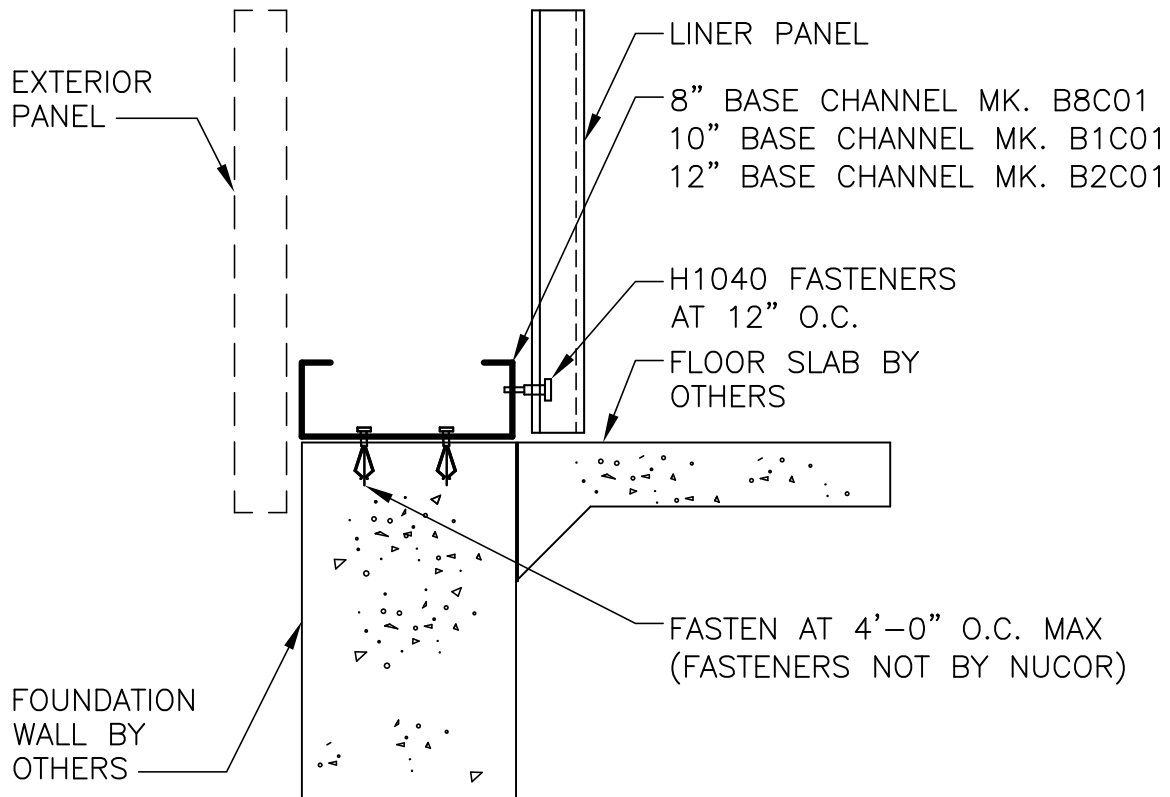


PRODUCT & ENGINEERING MANUAL

IC0020 – FINISHED FLOOR BASE DETAIL W/ BASE CHANNEL

ERECTOR NOTE:

PANEL SCREWS MUST ENGAGE THE BASE CHANNEL, FIELD NOTCHING OF THE BASE CHANNEL MAY BE REQUIRED AT THE COLUMNS AND CORNERS



FINISHED FLOOR BASE DETAIL

LINER PANEL WITH BASE CHANNEL

IC0020

LAST REVISION
DATE: 04/14/14
BY: AES CHK: RJF

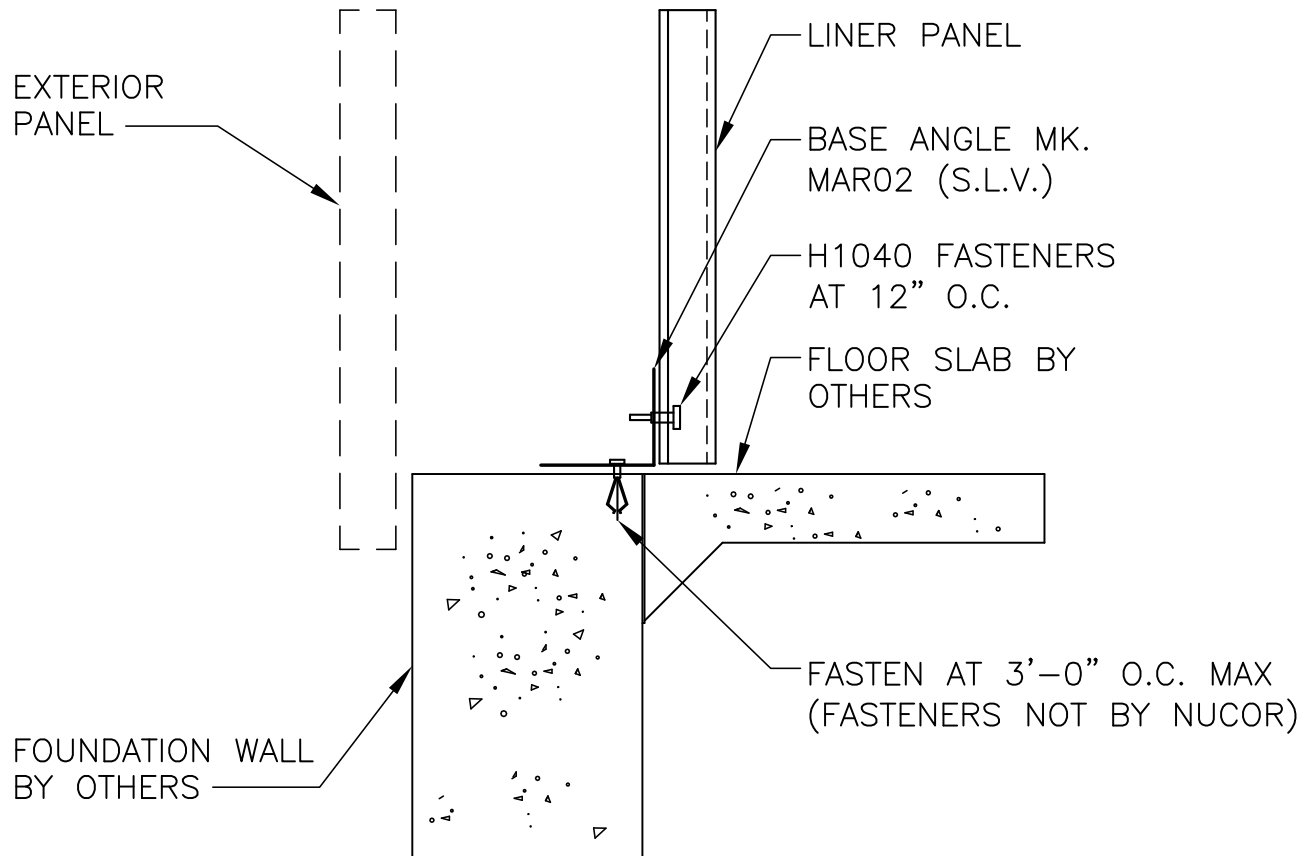
DETAIL NAME IF APPLICABLE
IC0020.DWG

7.5.18



PRODUCT & ENGINEERING MANUAL

IC0010 – FINISHED FLOOR BASE DETAIL W/ BASE ANGLE



FINISHED FLOOR BASE DETAIL

LINER PANEL WITH BASE ANGLE

IC0010

LAST REVISION
DATE: 04/14/14
BY: AES CHK: RJF

DETAIL NAME IF APPLICABLE
IC0010.DWG

7.5.19

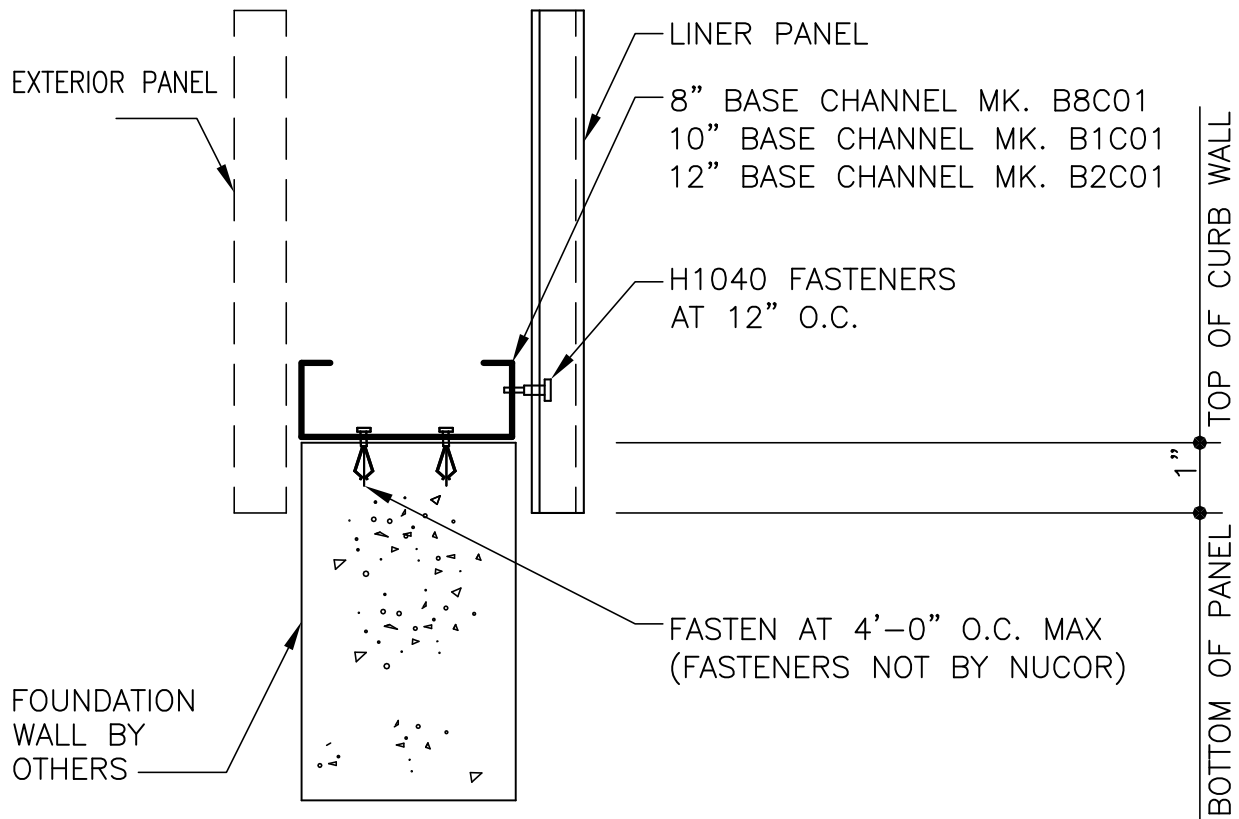


PRODUCT & ENGINEERING MANUAL

IC0040 – CURB WALL W/ BASE CHANNEL

ERECTOR NOTE:

PANEL SCREWS MUST ENGAGE THE BASE CHANNEL, FIELD NOTCHING OF THE BASE CHANNEL MAY BE REQUIRED AT THE COLUMNS AND CORNERS



TOP OF CURB WALL DETAIL

LINER PANEL WITH BASE CHANNEL

IC0040

LAST REVISION
DATE: 5/15/14
BY: AES CHK: _____

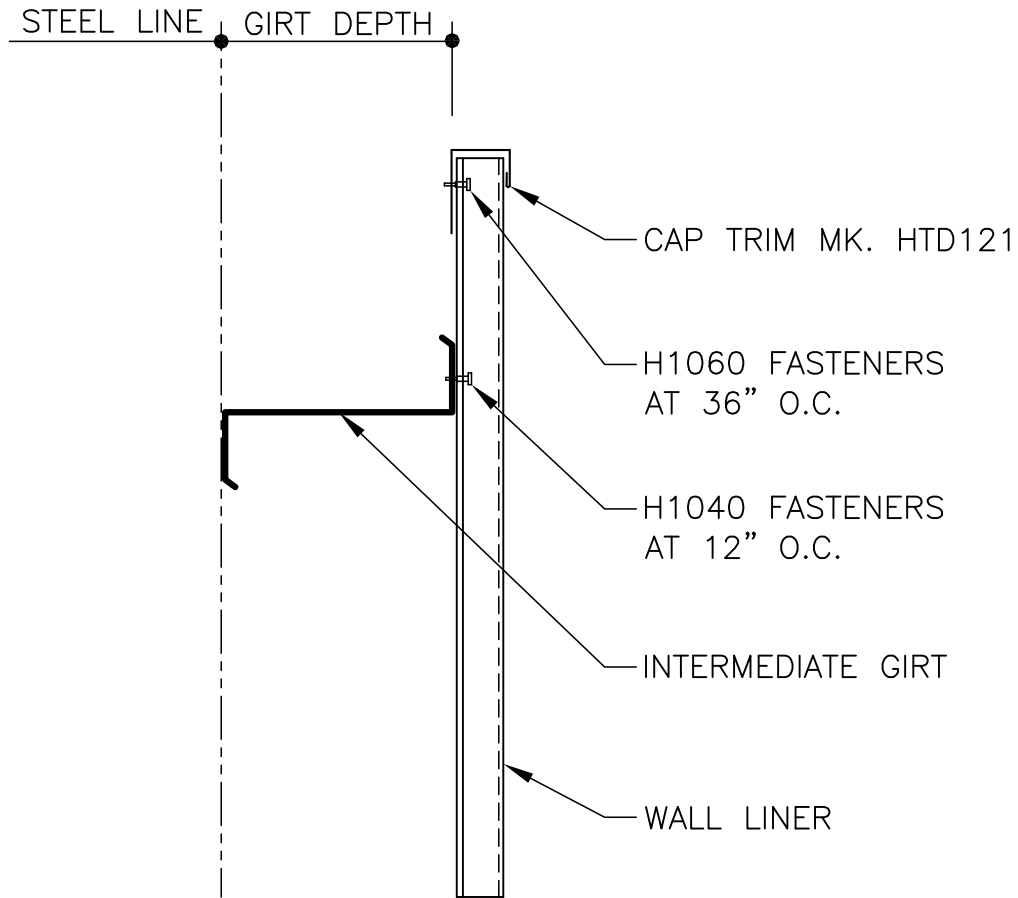
DETAIL NAME IF APPLICABLE
IC0040.DWG

7.5.20



PRODUCT & ENGINEERING MANUAL

ID0100 – CAP TRIM @ PARTIAL HEIGHT WALL LINER



PARTIAL HEIGHT LINER PANEL

PARTIAL HEIGHT WALL LINER

ID0100

LAST REVISION
DATE: 04/14/14
BY: AES CHK: RJF

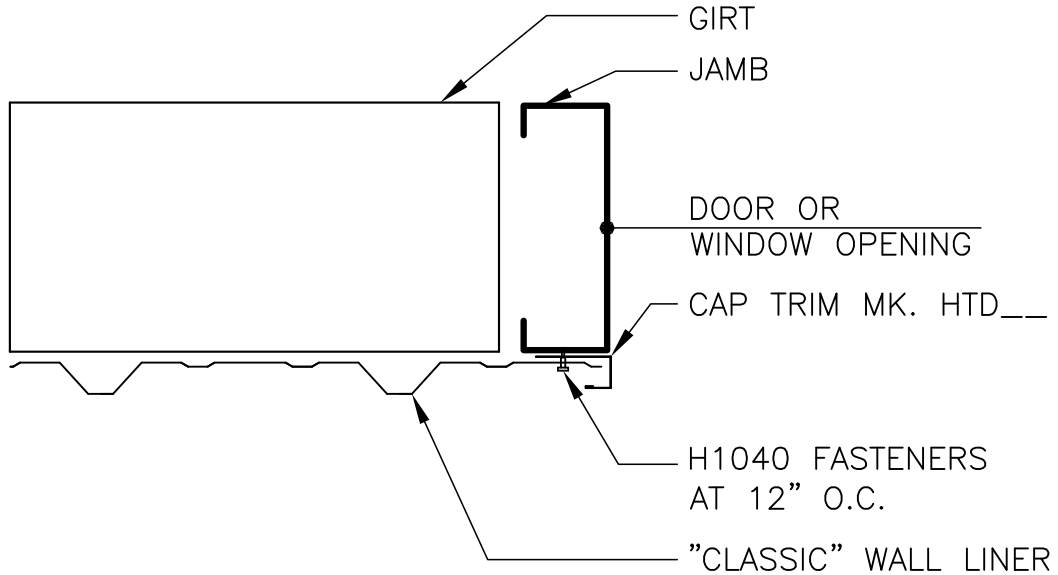
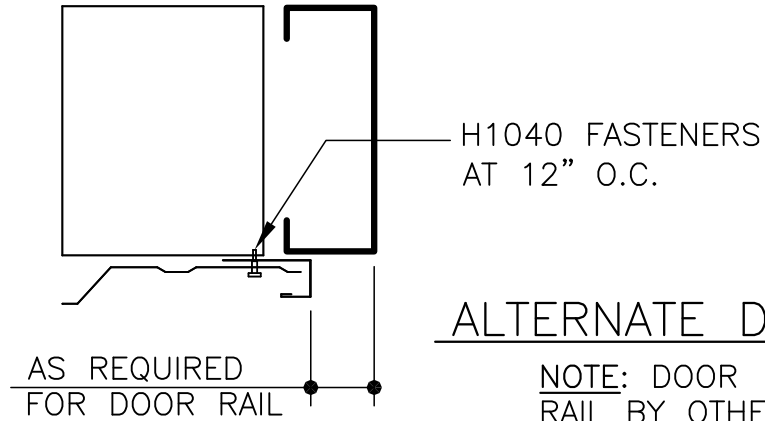
DETAIL NAME IF APPLICABLE
ID0100.DWG

7.5.21



PRODUCT & ENGINEERING MANUAL

IG0050 – FRAMED OPENING JAMB DETAIL @ CLASSIC LINER



JAMB DETAIL

"CLASSIC" WALL LINER

IG0050

LAST REVISION
DATE: 04/14/14
BY: AES CHK: RJF

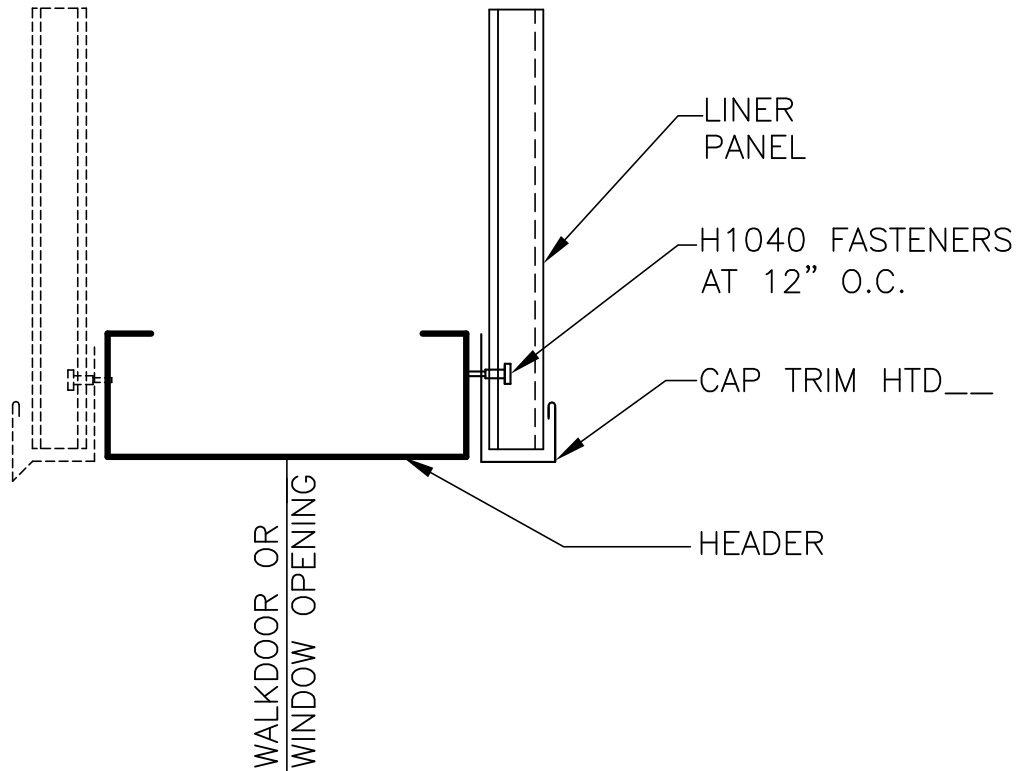
DETAIL NAME IF APPLICABLE
IG0050.DWG

7.5.22



PRODUCT & ENGINEERING MANUAL

IG0090 – FRAMED OPENING HEADER DETAIL @ LINER PANEL



HEADER DETAIL

AT WALKDOOR OR WINDOW WITH LINER PANEL

IG0090

LAST REVISION
DATE: 04/14/14
BY: AES CHK: RJF

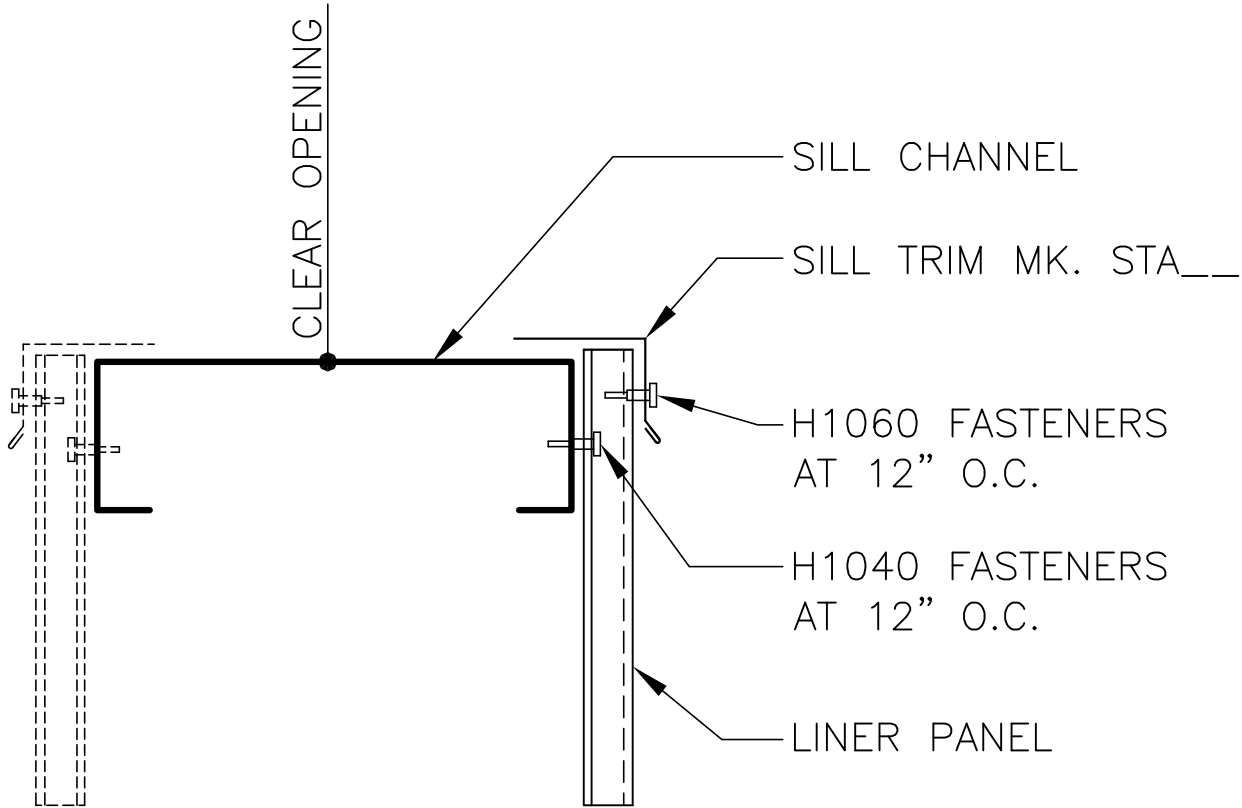
DETAIL NAME IF APPLICABLE
IG0090.DWG

7.5.23



PRODUCT & ENGINEERING MANUAL

IG0100 – FRAMED OPENING SILL DETAIL @ LINER PANEL



SILL DETAIL

AT LINER PANEL

IG0100

LAST REVISION
DATE: 04/14/14
BY: AES CHK: RJF

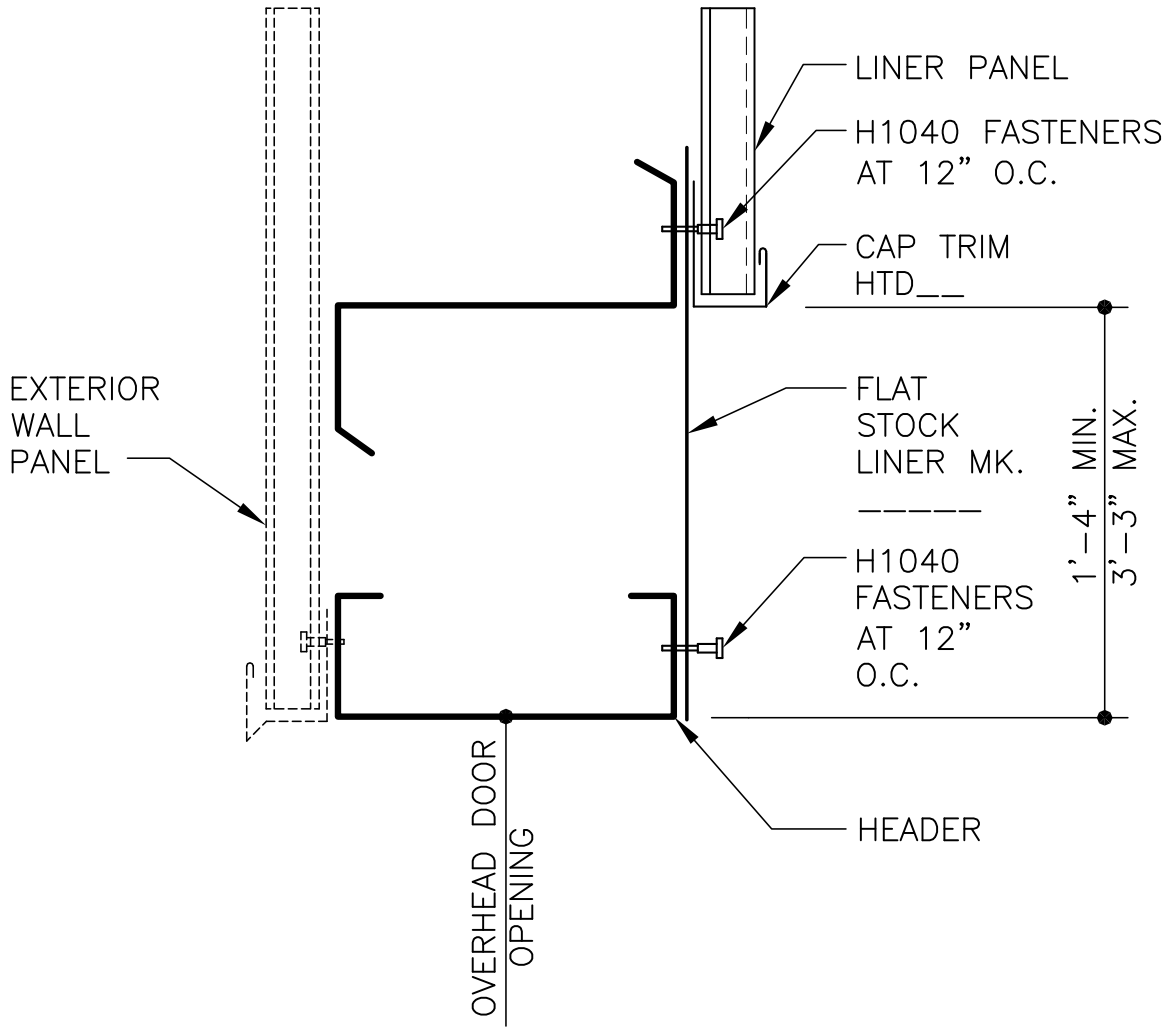
DETAIL NAME IF APPLICABLE
IG0100.DWG

7.5.24



PRODUCT & ENGINEERING MANUAL

IG0080 – HEADER DETAIL @ FLAT STOCK LINER



HEADER DETAIL

AT OVERHEAD DOOR WITH FLAT STOCK LINER

IG0080

LAST REVISION
DATE: 04/14/14
BY: AES CHK: RJF

DETAIL NAME IF APPLICABLE
IG0080.DWG

7.5.25