



PRODUCT & ENGINEERING MANUAL

PARTITION & DRAFT CURTAIN TABLE OF CONTENTS

Draft Curtain Information And Specifications	2
Partition Information And Specifications	2
Partition Wall Details	3
IH0010 – 8” System Transverse Partition Wall	3
IH0020 – Transverse Partition Wall Section Cuts – Purlins	4
IH0030 – Transverse Partition Wall Section Cuts – Joists	5
IH0040 – Longitudinal Partition Wall	6
IH0050 – Longitudinal Partition Wall Section Cuts	7
IH0070 – Longitudinal Partition Wall Section Cuts – Joists To Strut Conn	8
Draft Curtain Details	9
IJ0010 – Transverse Draft Curtain W/ Purlins – Horizontal Bottom Support	9
IJ0020 – Transverse Draft Curtain W/ Purlins – Parallel Supports	10
IJ0040 – Transverse Draft Curtain W/ Joists – Horizontal Bottom Support	11
IJ0060 – Transverse Draft Curtain W/ Joists – Away From Main Frame Rafter ..	12
IJ0070 – Longitudinal Draft Curtain W/ Joists	13
Recessed Endwall Details	14
GA0002 – Recessed Endwall Detail	14



PRODUCT & ENGINEERING MANUAL

DRAFT CURTAIN INFORMATION AND SPECIFICATIONS

Additional information Nucor standard draft curtains is available at the Nucor Building Systems website at the below link.

[Nucor Standard Draft Curtain](#)

PARTITION INFORMATION AND SPECIFICATIONS

Additional information Nucor standard partition walls is available at the Nucor Building Systems website at the below link.

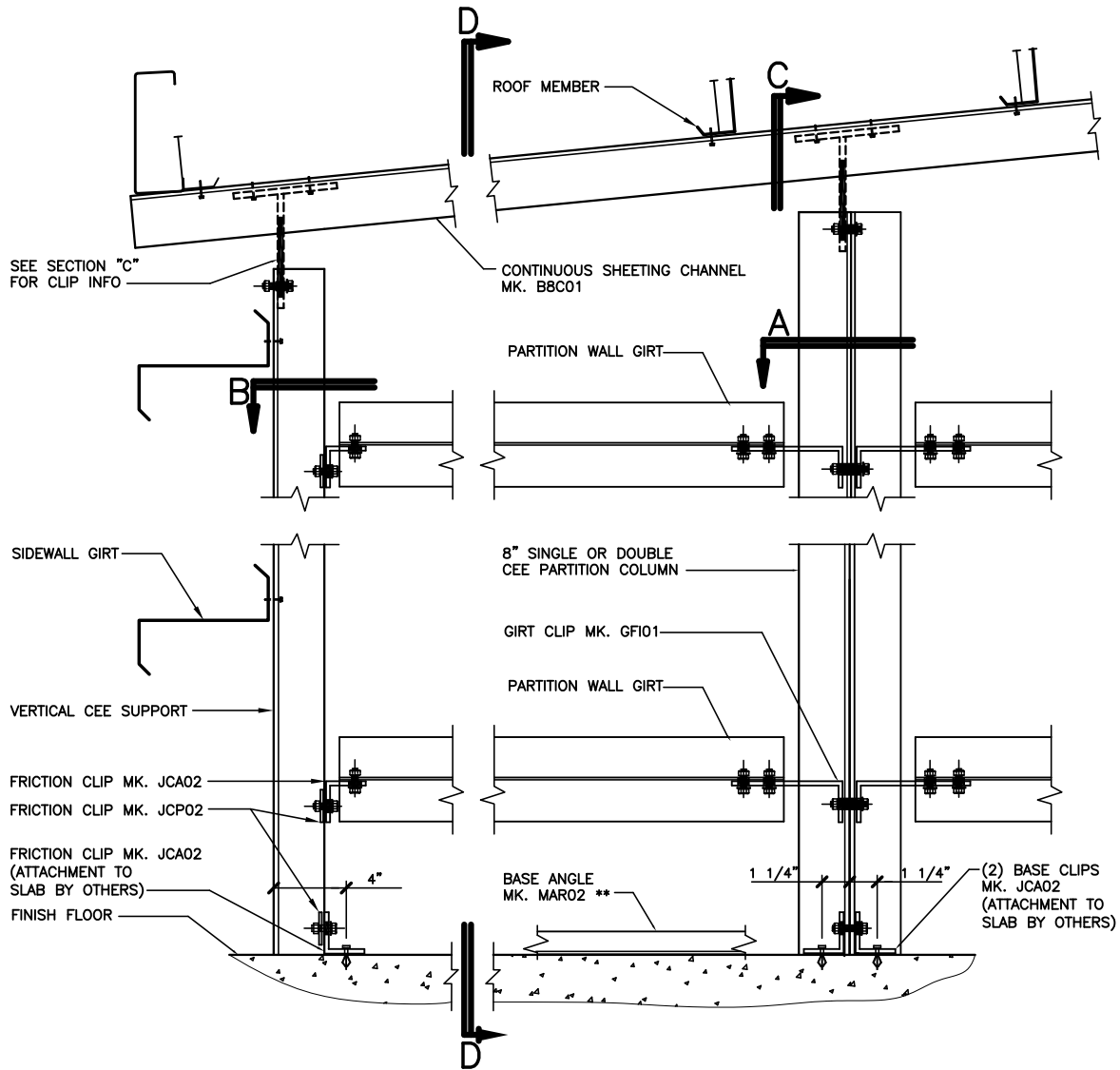
[Nucor Standard Partition Wall](#)

The following pages provide standard Draft Curtain and Partition Wall details.



PARTITION WALL DETAILS

IH0010 – 8" SYSTEM TRANSVERSE PARTITION WALL



TRANSVERSE PARTITION WALL

8" SYSTEM – SINGLE SHEETED NOTE: USE 1/2" X 1-1/4" A307 BOLTS H0500/NUTS H0400. REFERENCE ERECTOR NOTE FOR TYPICAL WASHER REQUIREMENTS. SEE STRUCTURAL ELEVATIONS FOR GIRT/COLUMN MARK NUMBERS. ** – FASTEN AT 3'-0" O.C. MAX (FASTENERS NOT BY NUCOR)

IH0010

LAST REVISION
DATE: 02/16/15
BY: AK CHK: EGB

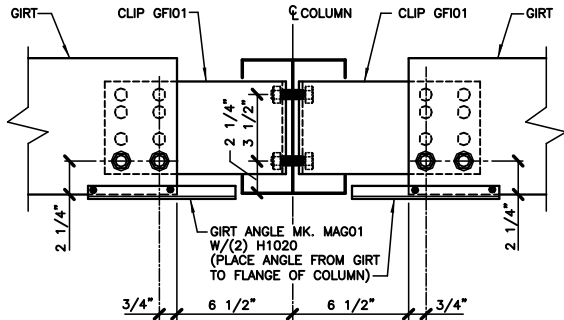
DETAIL NAME IF APPLICABLE
IH0010.DWG

7.4.3



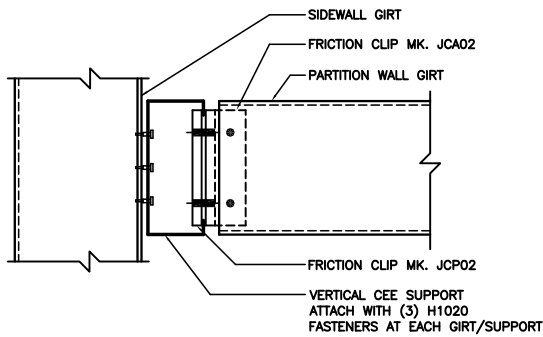
PRODUCT & ENGINEERING MANUAL

IH0020 – TRANSVERSE PARTITION WALL SECTION CUTS – PURLINS



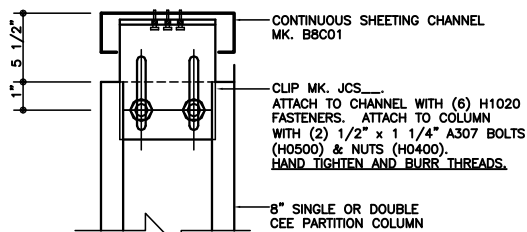
SECTION "A" TRANSVERSE PARTITION WALL GIRTS TO COLUMN

NOTE: USE (6) 1/2" X 1 1/4" A307 BOLTS H0500/NUTS H0400. REFERENCE ERECTOR NOTE FOR TYPICAL WASHER REQUIREMENTS.



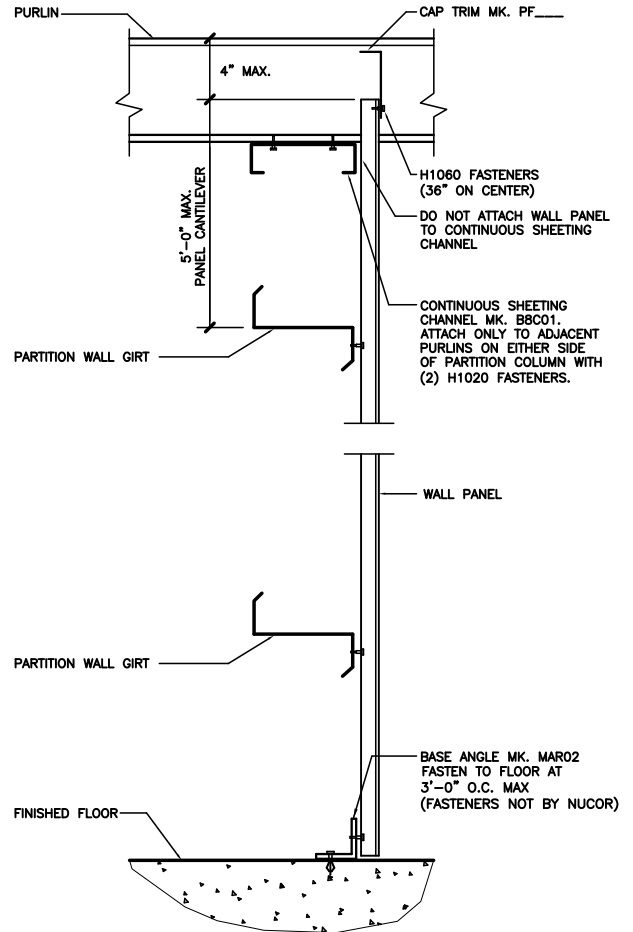
SECTION "B" GIRTS CONNECTION TO VERTICAL CEE SUPPORT

NOTE: USE (4) 1/2" X 1 1/4" A307 BOLTS H0500/NUTS H0400 U.N.O. REFERENCE ERECTOR NOTE FOR TYPICAL WASHER REQUIREMENTS.



SECTION "C" TRANSVERSE PARTITION COLUMN TO CHANNEL

REFERENCE ERECTOR NOTE FOR TYPICAL WASHER REQUIREMENTS.



SECTION "D-D" FULL HEIGHT SECTION AT PARTITION WALL

SEE WALL SHEETING ERECTION NOTES FOR WALL PANEL FASTENER LOCATIONS

IH0020

LAST REVISION
DATE: 02/16/15
BY: AK CHK: EGB

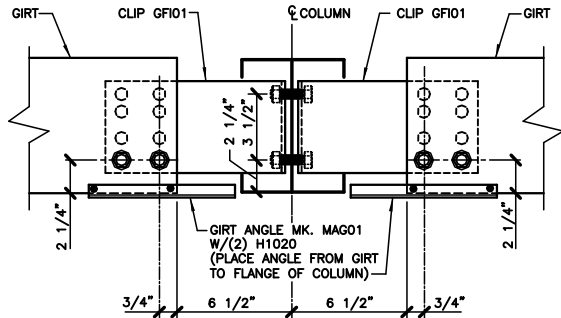
DETAIL NAME IF APPLICABLE
IH0020.DWG

7.4.4



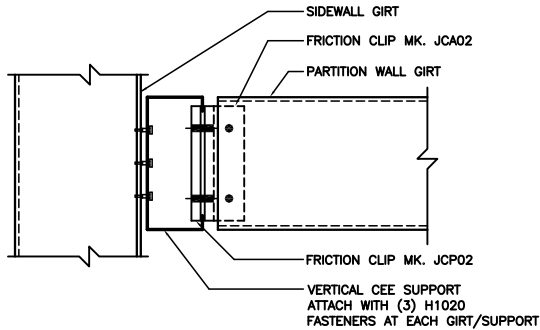
PRODUCT & ENGINEERING MANUAL

IH0030 – TRANSVERSE PARTITION WALL SECTION CUTS – JOISTS



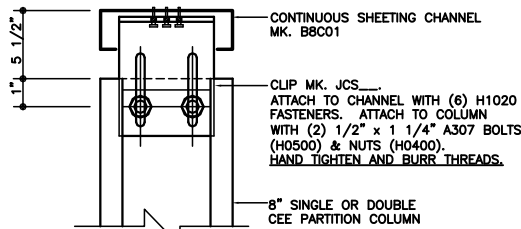
SECTION "A" TRANSVERSE PARTITION WALL GIRTS TO COLUMN

NOTE: USE (6) 1/2" X 1 1/4" A307 BOLTS H0500/NUTS H0400.
REFERENCE ERECTOR NOTE FOR TYPICAL WASHER REQUIREMENTS.



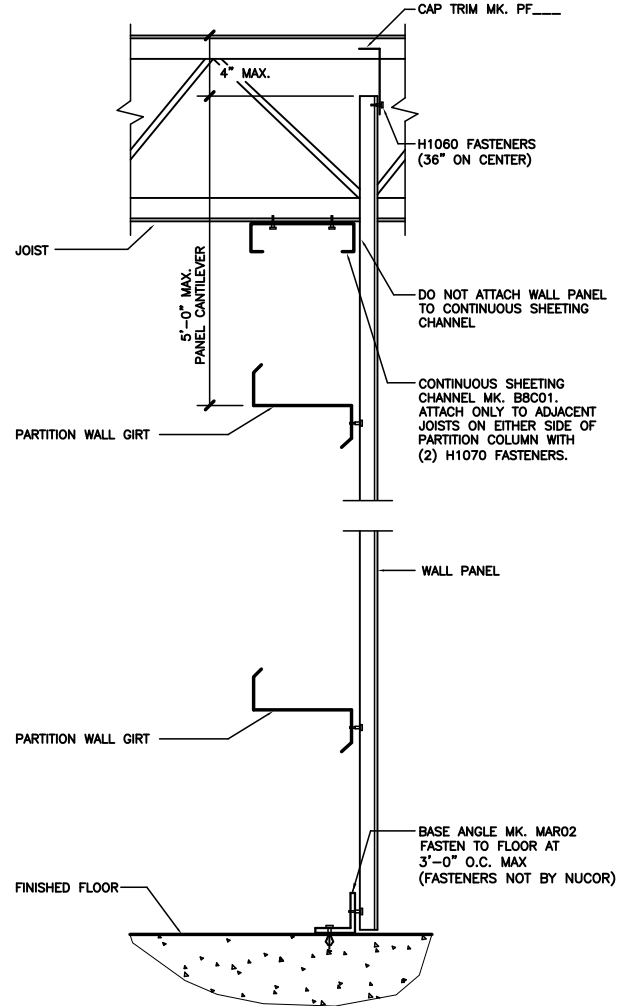
SECTION "B" GIRTS CONNECTION TO VERTICAL CEE SUPPORT

NOTE: USE (4) 1/2" X 1 1/4" A307 BOLTS H0500/NUTS H0400 U.N.O.
REFERENCE ERECTOR NOTE FOR TYPICAL WASHER REQUIREMENTS.



SECTION "C" TRANSVERSE PARTITION COLUMN TO CHANNEL

REFERENCE ERECTOR NOTE FOR TYPICAL WASHER REQUIREMENTS.



SECTION "D-D" FULL HEIGHT SECTION AT PARTITION WALL

SEE WALL SHEETING ERECTION NOTES FOR WALL PANEL FASTENER LOCATIONS

IH0030

LAST REVISION
DATE: 02/16/15
BY: AK CHK: EGB

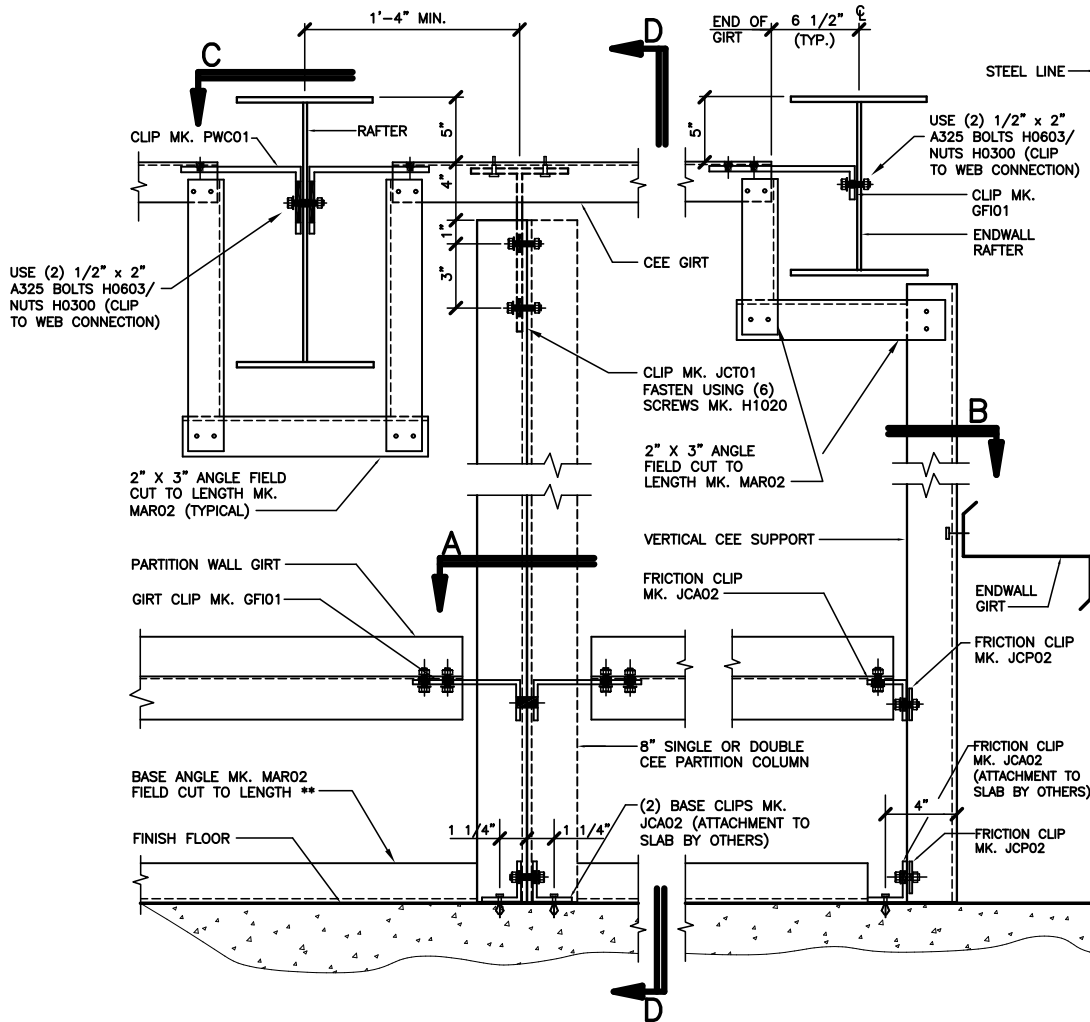
DETAIL NAME IF APPLICABLE
IH0030.DWG

7.4.5



PRODUCT & ENGINEERING MANUAL

IH0040 – LONGITUDINAL PARTITION WALL



LONGITUDINAL PARTITION WALL

8" SYSTEM NOTE: USE 1/2" X 1-1/4" A307 BOLTS/NUTS U.N.O. REFERENCE ERECTOR NOTE FOR TYPICAL WASHER REQUIREMENTS. SEE STRUCTURAL ELEVATIONS FOR GIRT/COLUMN MARK NUMBERS.
 ** - FASTEN AT 3'-0" O.C. MAX (FASTENERS NOT BY NUCOR).

IH0040

LAST REVISION
 DATE: 02/16/15
 BY: AK CHK: EGB

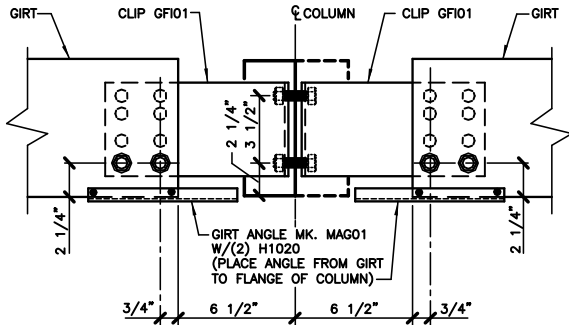
DETAIL NAME IF APPLICABLE
 IH0040.DWG

7.4.6



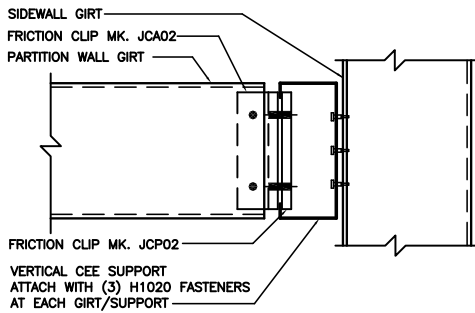
PRODUCT & ENGINEERING MANUAL

IH0050 – LONGITUDINAL PARTITION WALL SECTION CUTS



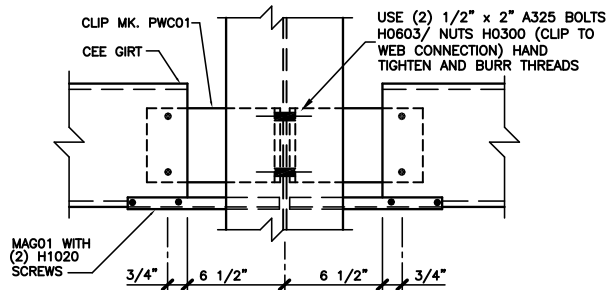
SECTION "A" LONGITUDINAL PARTITION WALL GIRT TO COLUMN

NOTE: USE (6) 1/2" X 1 1/4" A307 BOLTS H0500/NUTS H0400. REFERENCE ERECTOR NOTE FOR TYPICAL WASHER REQUIREMENTS.



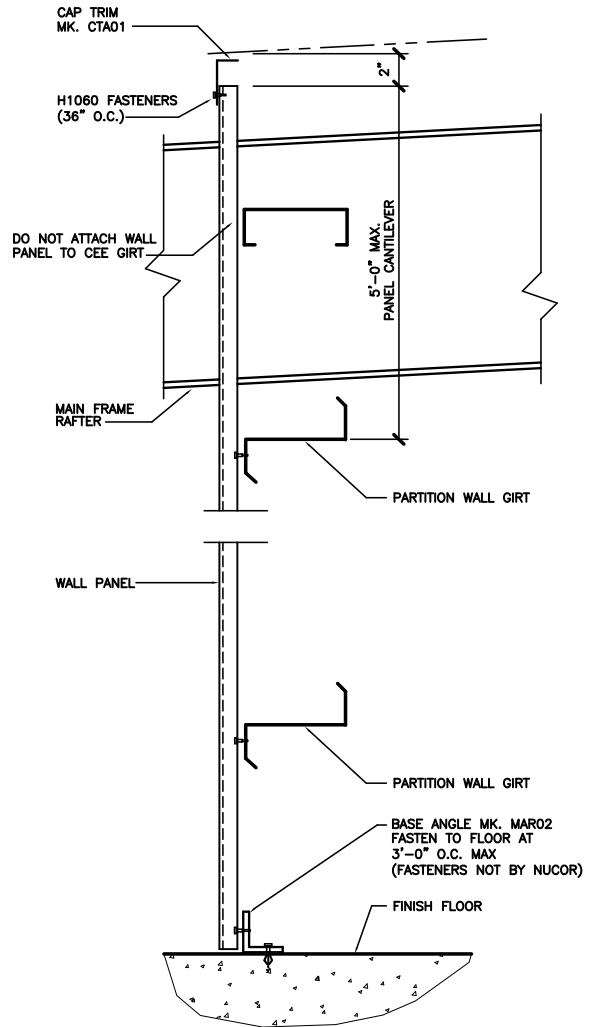
SECTION "B" GIRT CONNECTION TO VERTICAL CEE SUPPORT

NOTE: USE (4) 1/2" X 1 1/4" A307 BOLTS H0500/NUTS H0400 U.N.O. REFERENCE ERECTOR NOTE FOR TYPICAL WASHER REQUIREMENTS.



SECTION "C" LONGITUDINAL PARTITION WALL TO RAFTER

NOTE: USE (4) 1/2" X 1 1/4" A307 BOLTS H0500/NUTS H0400. REFERENCE ERECTOR NOTE FOR TYPICAL WASHER REQUIREMENTS.



SECTION "D-D" FULL HEIGHT SECTION AT PARTITION WALL

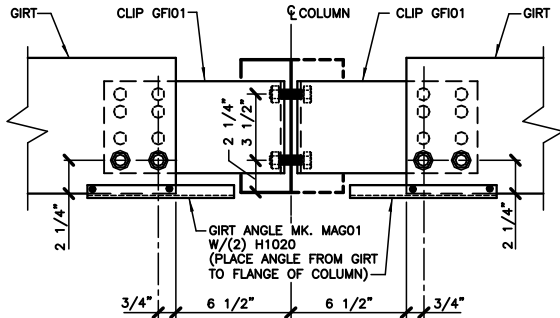
SEE WALL SHEETING ERECTION NOTES FOR WALL PANEL FASTENER LOCATIONS

IH0050



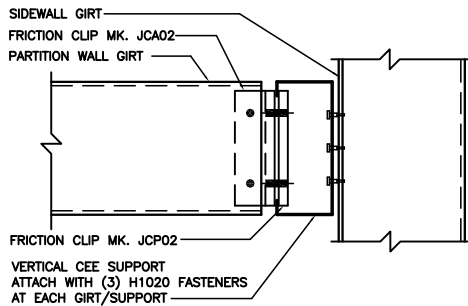
PRODUCT & ENGINEERING MANUAL

IH0070 – LONGITUDINAL PARTITION WALL SECTION CUTS – JOISTS TO STRUT CONN.



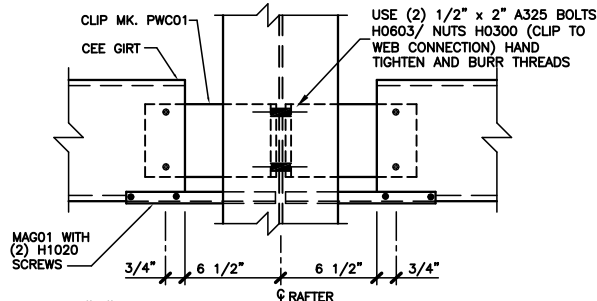
SECTION "A" LONGITUDINAL PARTITION WALL GIRTS TO COLUMN

NOTE: USE (6) 1/2" X 1 1/4" A307 BOLTS H0500/NUTS H0400.
REFERENCE ERECTOR NOTE FOR TYPICAL WASHER REQUIREMENTS.



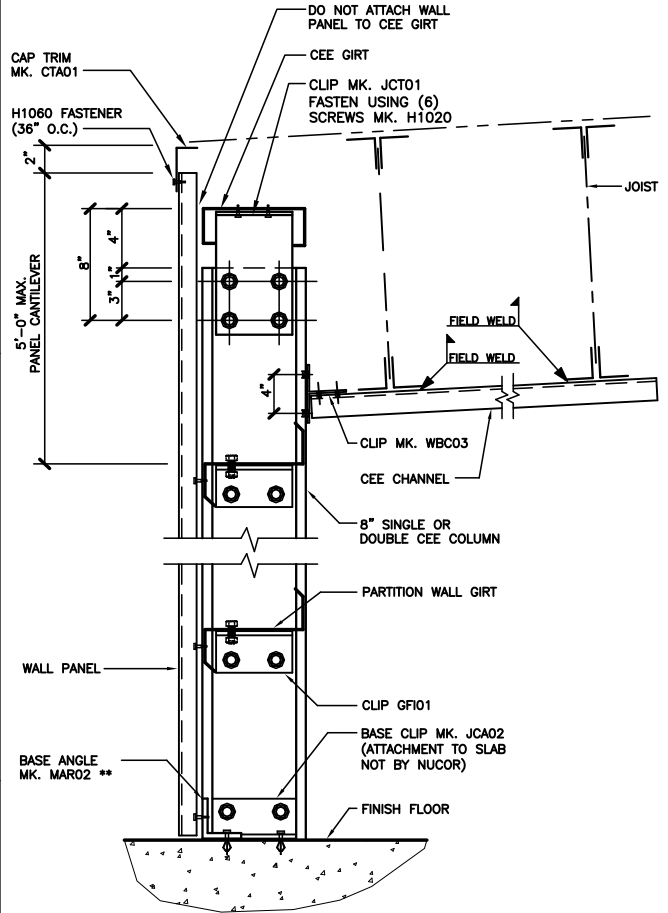
SECTION "B" GIRTS CONNECTION TO VERTICAL CEE SUPPORT

NOTE: USE (4) 1/2" X 1 1/4" A307 BOLTS H0500/NUTS H0400 U.N.O.
REFERENCE ERECTOR NOTE FOR TYPICAL WASHER REQUIREMENTS.



SECTION "C" LONGITUDINAL PARTITION WALL TO RAFTER

NOTE: USE (4) 1/2" X 1 1/4" A307 BOLTS H0500/NUTS H0400.
REFERENCE ERECTOR NOTE FOR TYPICAL WASHER REQUIREMENTS.



SECTION "D-D" FULL HEIGHT SECTION AT PARTITION WALL

NOTE: USE 1/2" X 1 1/4" A307 BOLTS H0500/NUTS H0400 U.N.O.
REFERENCE ERECTOR NOTE FOR TYPICAL WASHER REQUIREMENTS
SEE WALL SHEETING ERECTION NOTES FOR WALL PANEL FASTENER LOCATIONS
** - FASTEN AT 3'-0" O.C. MAX (FASTENERS NOT BY NUCOR)

IH0070

LAST REVISION
DATE: 02/16/15
BY: AK CHK: EGB

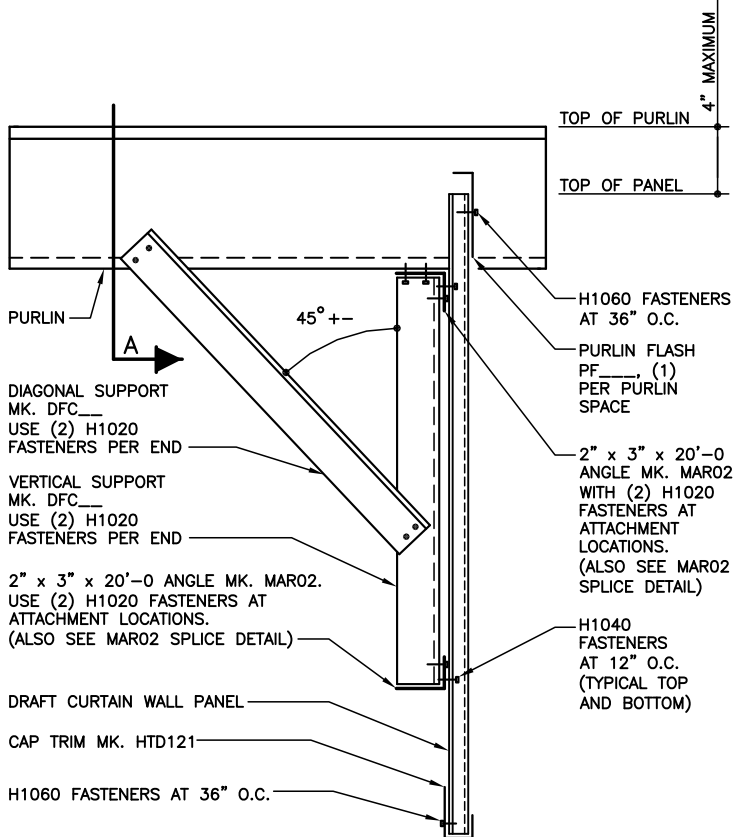
DETAIL NAME IF APPLICABLE
IH0070.DWG

7.4.8



DRAFT CURTAIN DETAILS

IJ0010 – TRANSVERSE DRAFT CURTAIN W/ PURLINS – HORIZONTAL BOTTOM SUPPORT



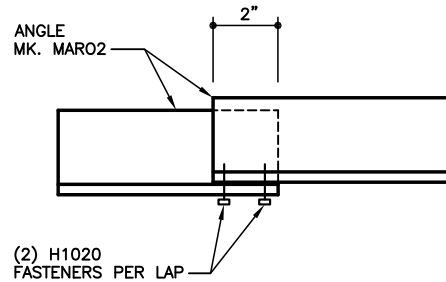
ERECTION NOTES:

- 1) DIAGONAL & VERTICAL SUPPORTS RUN WITH THE ROOF SLOPE
- 2) SEE ELEVATION DRAWINGS FOR SUPPORT LOCATIONS
- 3) VERTICAL SUPPORTS ARE TO HAVE A MAXIMUM SPACING OF 11'-0"
- 4) FIELD COPE PANELS AT PURLINS AS REQUIRED

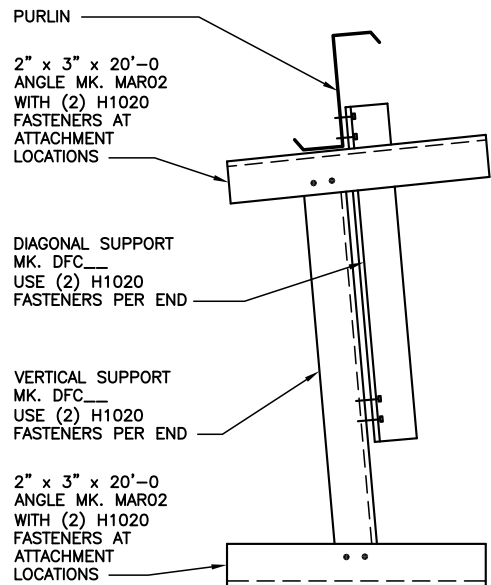
DRAFT CURTAIN DETAIL

TRANSVERSE DRAFT CURTAIN

IJ0010



MAR02 SPLICE DETAIL



SECTION A

LAST REVISION
 DATE: 02/16/15
 BY: AK CHK: EGB

DETAIL NAME IF APPLICABLE

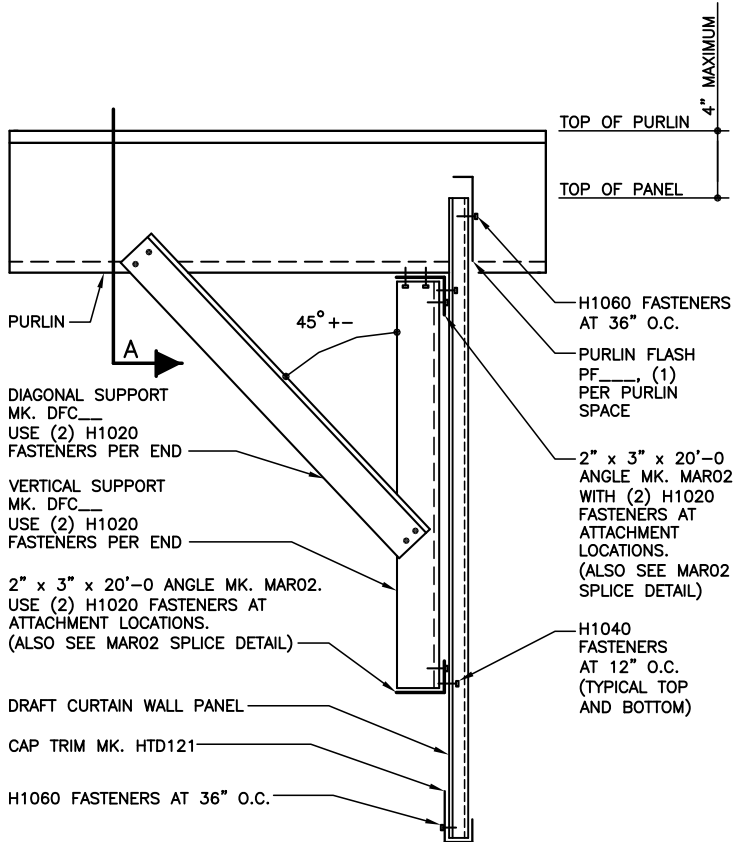
IJ0010.DWG

7.4.9



PRODUCT & ENGINEERING MANUAL

IJ0020 – TRANSVERSE DRAFT CURTAIN W/ PURLINS – PARALLEL SUPPORTS



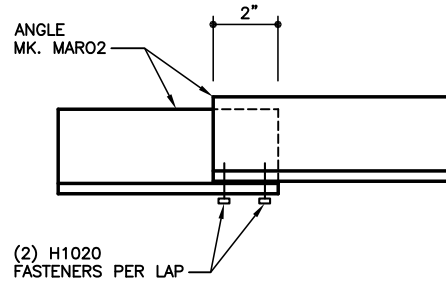
ERECTION NOTES:

- 1) DIAGONAL & VERTICAL SUPPORTS RUN WITH THE ROOF SLOPE
- 2) SEE ELEVATION DRAWINGS FOR SUPPORT LOCATIONS
- 3) VERTICAL SUPPORTS ARE TO HAVE A MAXIMUM SPACING OF 11'-0"
- 4) FIELD COPE PANELS AT PURLINS AS REQUIRED

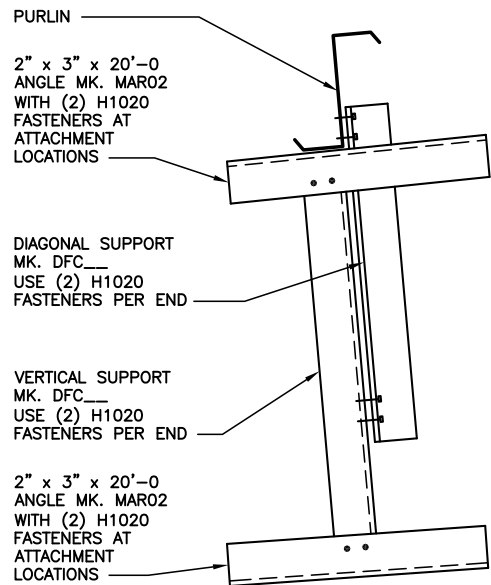
DRAFT CURTAIN DETAIL

TRANSVERSE DRAFT CURTAIN

IJ0020



MAR02 SPLICE DETAIL



SECTION A

LAST REVISION
 DATE: 02/16/15
 BY: AK CHK: EGB

DETAIL NAME IF APPLICABLE

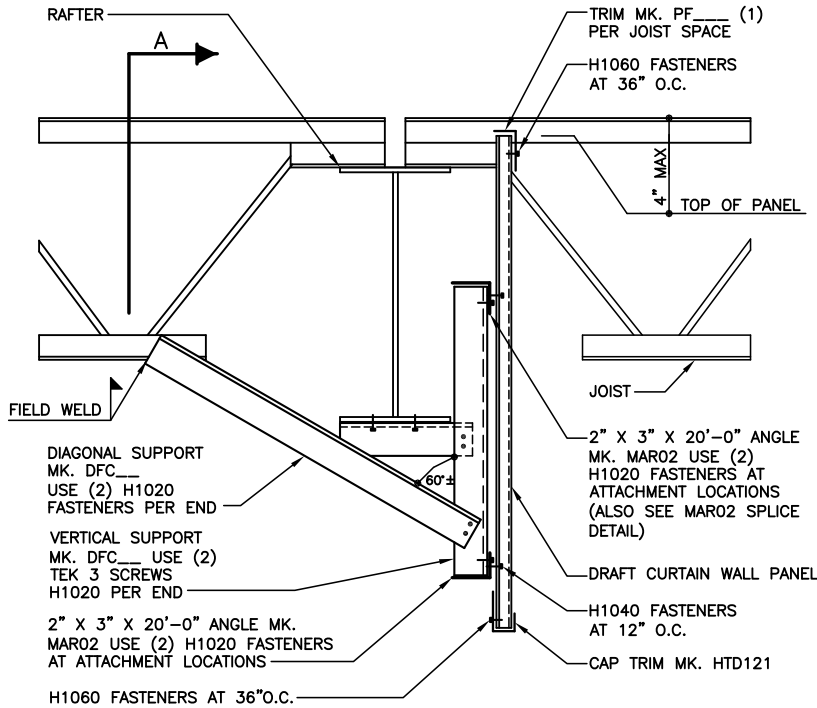
IJ0020.DWG

7.4.10



PRODUCT & ENGINEERING MANUAL

IJ0040 – TRANSVERSE DRAFT CURTAIN W/ JOISTS – HORIZONTAL BOTTOM SUPPORT



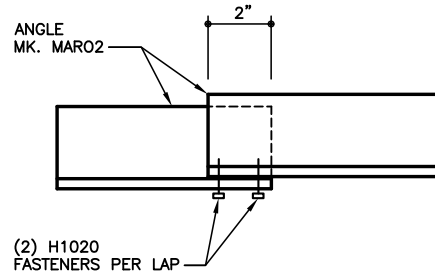
ERECTION NOTES:

- 1) DIAGONAL & VERTICAL SUPPORTS RUN WITH THE ROOF SLOPE
- 2) SEE ELEVATION DRAWINGS FOR SUPPORT LOCATIONS
- 3) VERTICAL SUPPORTS ARE TO HAVE A MAXIMUM SPACING OF 11'-0"
- 4) FIELD COPE PANELS AT JOISTS AS REQUIRED

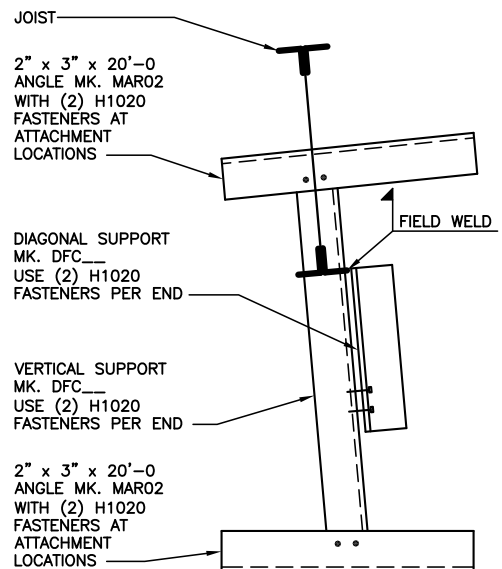
DRAFT CURTAIN DETAIL AT JOIST

TRANSVERSE DRAFT CURTAIN

IJ0040



MAR02 SPLICE DETAIL



SECTION A

RAFTER NOT SHOWN FOR CLARITY

LAST REVISION
 DATE: 02/16/15
 BY: AK CHK: EGB

DETAIL NAME IF APPLICABLE

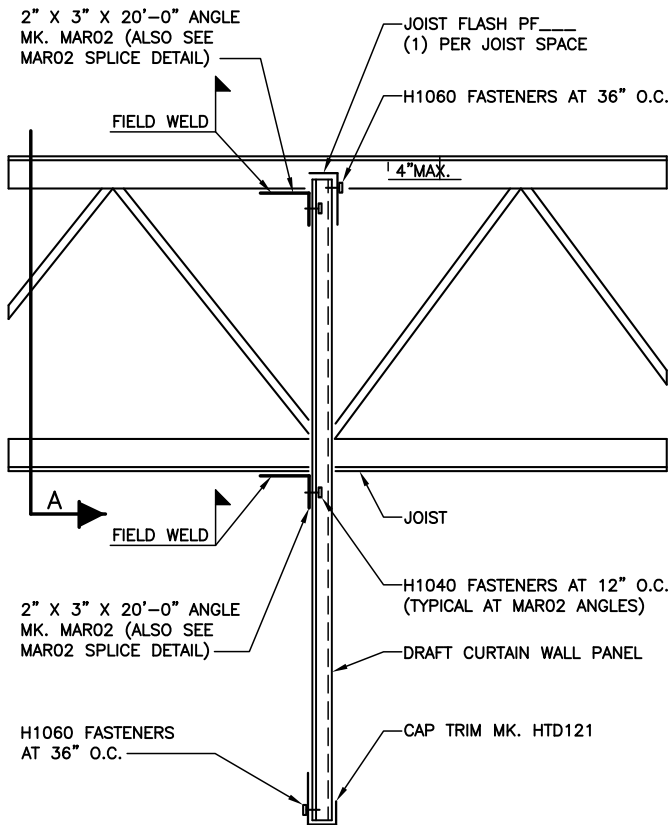
IJ0040.DWG

7.4.11



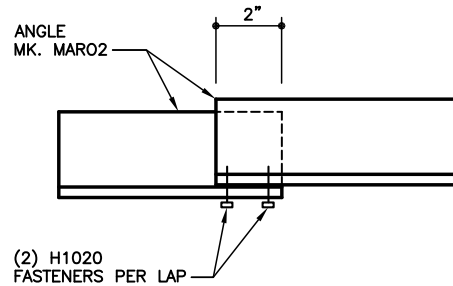
PRODUCT & ENGINEERING MANUAL

IJ0060 – TRANSVERSE DRAFT CURTAIN W/ JOISTS – AWAY FROM MAIN FRAME RAFTER

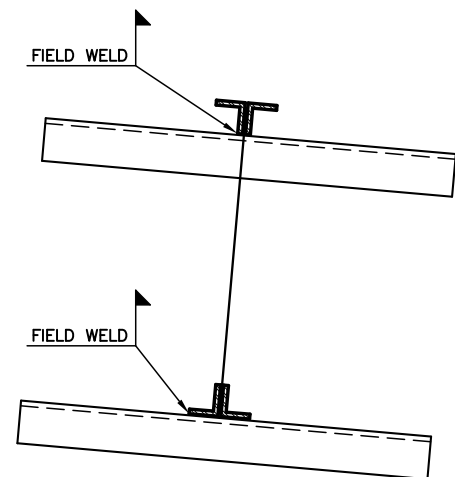


DRAFT CURTAIN DETAIL AT JOIST
TRANSVERSE DRAFT CURTAIN

IJ0060



MAR02 SPLICE DETAIL



SECTION A

LAST REVISION
DATE: 02/16/15
BY: AK CHK: EGB

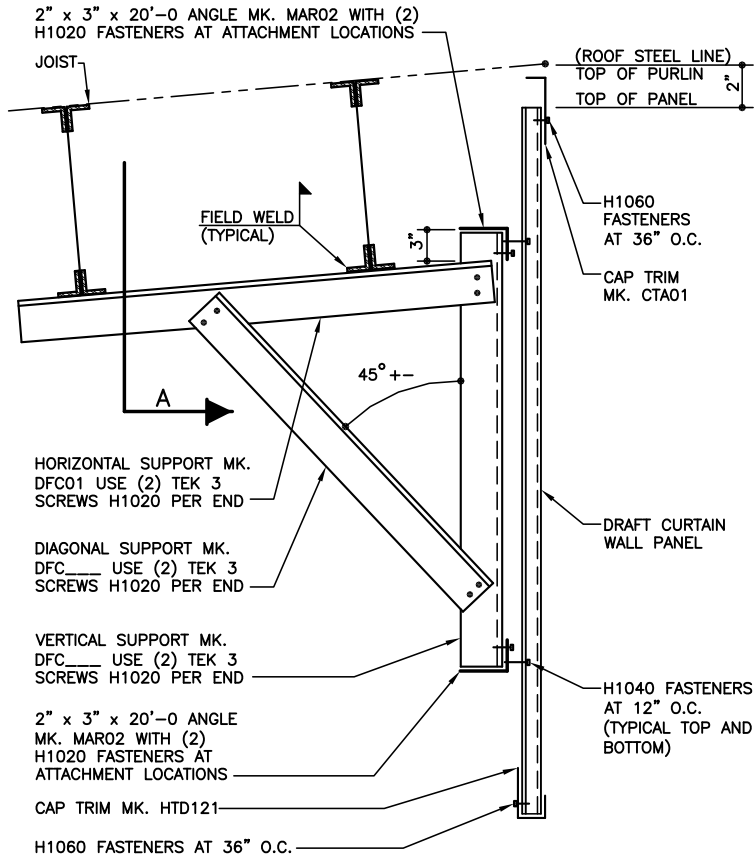
DETAIL NAME IF APPLICABLE
IJ0060.DWG

7.4.12



PRODUCT & ENGINEERING MANUAL

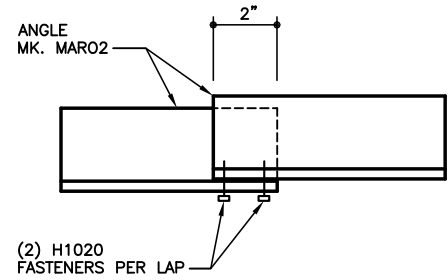
IJ0070 – LONGITUDINAL DRAFT CURTAIN W/ JOISTS



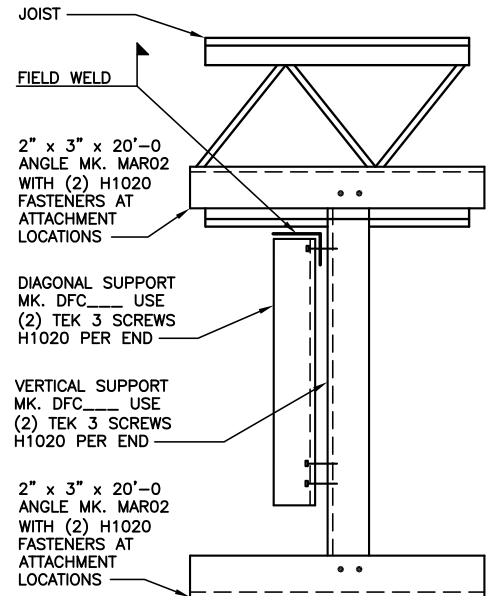
- ERECTION NOTES:**
- 1) SEE ELEVATION DRAWINGS FOR SUPPORT LOCATIONS
 - 2) HORIZONTAL SUPPORT MUST BE FASTENED TO (2) JOISTS
 - 3) FIELD CUT PANELS AT RAFTERS AS REQUIRED

DRAFT CURTAIN DETAIL
LONGITUDINAL DRAFT CURTAIN

IJ0070



MAR02 SPLICE DETAIL



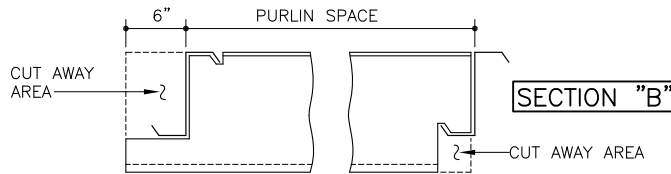
SECTION A



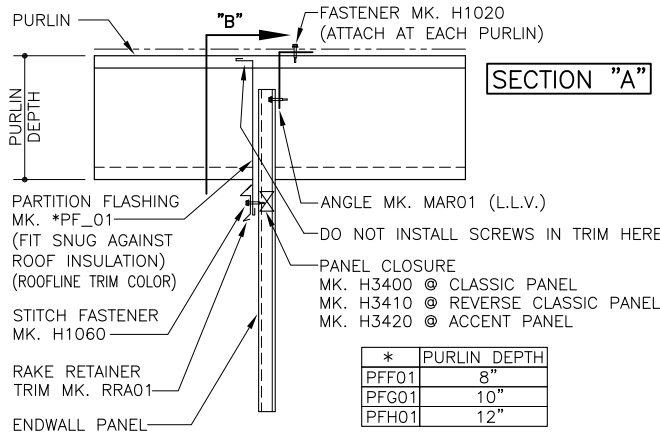
PRODUCT & ENGINEERING MANUAL

RECESSED ENDWALL DETAILS

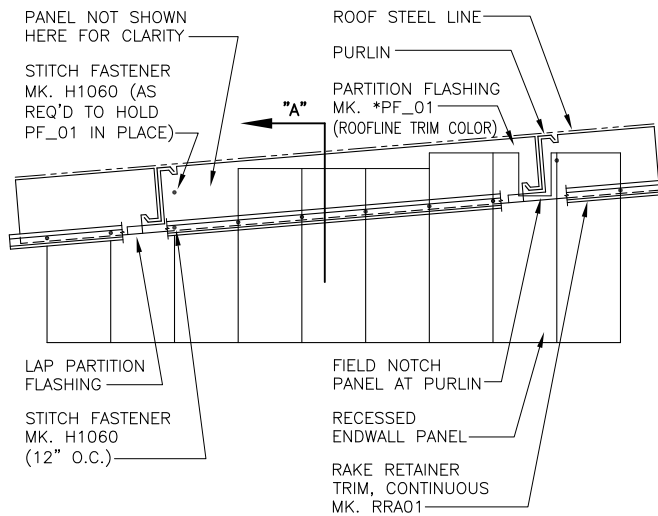
GA0002 – RECESSED ENDWALL DETAIL



PARTITION FLASHING MUST BE CUT TO LENGTH AND NOTCHED IN THE FIELD. FIELD WORK OF FLASHING WILL BE REQUIRED AT ALL PURLINS, EAVES AND RIDGES.



ROOF SHEETING AND ROOF INSULATION NOT SHOWN FOR CLARITY



RECESSED ENDWALL DETAIL

AT EXPOSED RECESSED ENDWALL

GA0002

LAST REVISION
DATE: 02/16/15
BY: AK CHK: EGB

DETAIL NAME IF APPLICABLE

GA0002.DWG

7.4.14