



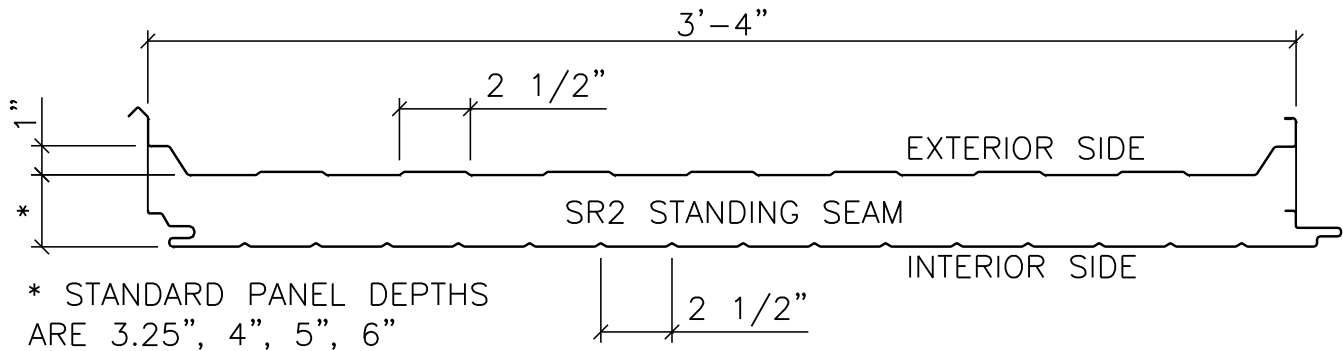
SR2 INSULATED STANDING SEAM ROOF PANEL SYSTEM TABLE OF CONTENTS

SR2 Insulated Standing Seam Roof System	2
SR2 Insulated Standing Seam Span Tables	3
3- ¹ / ₄ " Panel Thickness – Standard (2) Fasteners	3
3- ¹ / ₄ " Panel Thickness – Optional (3) Fasteners	4
4" Panel Thickness – Standard (2) Fasteners	5
4" Panel Thickness – Optional (3) Fasteners	6
5" Panel Thickness – Standard (2) Fasteners	7
5" Panel Thickness – Optional (3) Fasteners	8
6" Panel Thickness – Standard (2) Fasteners	9
6" Panel Thickness – Optional (3) Fasteners	10
Standard Details	11
ED5310PE - Horizontal Gutter	11
EH5006 - High Eave Sculptured	12
EI5010 - High Eave Parapet	13
EG5010 - Standard Ridge.....	14
EG2100PE - Field Fabricated Metal Peak Box	15
EA5021 - End Lap	16



SR2 INSULATED STANDING SEAM ROOF SYSTEM

The SR2 insulated standing seam roof system panel is available as a component of one of Nucor Building Systems' Standard Roof Systems.



Information about the available panel thickness options, R and U factors, exterior and interior colors and finishes, available panel lengths, performance and testing information, and much more is available at the Nucor Building Systems website at the below links.

[SR2 Insulated Standing Seam Roof Panel](#)

[SR2 Insulated Standing Seam Roof Panel - Seaming Manual](#)

The following pages outline span capacities for a typical panel configuration as well as provide Nucor standard details for this roof system.



SR2 INSULATED STANDING SEAM SPAN TABLES

3-1/4" PANEL THICKNESS – STANDARD (2) FASTENERS

3-1/4" SR2 Insulated Standing Seam Roof Panel – 26 Gauge Exterior/Interior – 2 Fasteners per Clip									
2 Equal Spans									
Span (ft.)	Gravity (psf)	Deflection L/240	Uplift Capacity (psf) per Support Thickness						
			0.060	0.067	0.075	0.089	0.099	0.105	0.120
4	90	n/c	35	40	45	59	69	75	81
4.5	79	n/c	31	35	40	52	61	66	72
5	70	n/c	28	32	36	47	55	60	64
5.5	62	n/c	25	29	33	43	50	54	58
6	56	n/c	23	26	30	39	46	50	54
7	46	n/c	20	22	26	33	39	42	46
3 Equal Spans									
Span (ft.)	Gravity (psf)	Deflection L/240	Uplift Capacity (psf) per Support Thickness						
			0.060	0.067	0.075	0.089	0.099	0.105	0.120
4	90	n/c	40	45	52	67	78	85	90
4.5	79	n/c	35	40	46	60	69	75	79
5	70	n/c	32	36	41	54	62	68	70
5.5	62	n/c	29	33	37	49	57	62	62
6	56	n/c	26	30	34	45	52	56	56
7	46	n/c	22	26	29	38	44	46	46

Insulated roof panel deflections are held to L/240. Contact the engineering team for minimum panel lengths, span capacities with different exterior or interior panel thicknesses, or fastener configurations.



PRODUCT & ENGINEERING MANUAL

3-1/4" PANEL THICKNESS – OPTIONAL (3) FASTENERS

3-1/4" SR2 Insulated Standing Seam Roof Panel – 26 Gauge Exterior/Interior – 3 Fasteners per Clip									
2 Equal Spans									
Span (ft.)	Gravity (psf)	Deflection L/240	Uplift Capacity (psf) per Support Thickness						
			0.060	0.067	0.075	0.089	0.099	0.105	0.120
4	90	n/c	52	60	68	81	81	81	81
4.5	79	n/c	46	53	61	72	72	72	72
5	70	n/c	42	48	54	64	64	64	64
5.5	62	n/c	38	43	49	58	58	58	58
6	56	n/c	35	40	45	54	54	54	54
7	46	n/c	30	34	39	46	46	46	46
3 Equal Spans									
Span (ft.)	Gravity (psf)	Deflection L/240	Uplift Capacity (psf) per Support Thickness						
			0.060	0.067	0.075	0.089	0.099	0.105	0.120
4	90	n/c	60	68	78	90	90	90	90
4.5	79	n/c	53	60	69	79	79	79	79
5	70	n/c	48	54	62	70	70	70	70
5.5	62	n/c	43	49	56	62	62	62	62
6	56	n/c	40	45	52	56	56	56	56
7	46	n/c	34	39	44	46	46	46	46

Insulated roof panel deflections are held to L/240. Contact the engineering team for minimum panel lengths, span capacities with different exterior or interior panel thicknesses, or fastener configurations.



PRODUCT & ENGINEERING MANUAL

4" PANEL THICKNESS – STANDARD (2) FASTENERS

4" SR2 Insulated Standing Seam Roof Panel – 26 Gauge Exterior/Interior – 2 Fasteners per Clip									
2 Equal Spans									
Span (ft.)	Gravity (psf)	Deflection L/240	Uplift Capacity (psf) per Support Thickness						
			0.060	0.067	0.075	0.089	0.099	0.105	0.120
4	112	n/c	35	40	45	59	69	75	81
4.5	98	n/c	31	35	40	52	61	66	72
5	87	n/c	28	32	36	47	55	60	64
5.5	78	n/c	25	29	33	43	50	54	58
6	71	n/c	23	26	30	39	46	50	54
7	59	n/c	20	22	26	33	39	42	46
3 Equal Spans									
Span (ft.)	Gravity (psf)	Deflection L/240	Uplift Capacity (psf) per Support Thickness						
			0.060	0.067	0.075	0.089	0.099	0.105	0.120
4	112	n/c	40	45	52	67	78	85	92
4.5	98	n/c	35	40	46	60	69	75	81
5	87	n/c	32	36	41	54	62	68	73
5.5	78	n/c	29	33	37	49	57	62	66
6	71	n/c	26	30	34	45	52	56	61
7	59	n/c	22	26	29	38	44	48	52

Insulated roof panel deflections are held to L/240. Contact the engineering team for minimum panel lengths, span capacities with different exterior or interior panel thicknesses, or fastener configurations.



PRODUCT & ENGINEERING MANUAL

4" PANEL THICKNESS – OPTIONAL (3) FASTENERS

4" SR2 Insulated Standing Seam Roof Panel – 26 Gauge Exterior/Interior – 3 Fasteners per Clip									
2 Equal Spans									
Span (ft.)	Gravity (psf)	Deflection L/240	Uplift Capacity (psf) per Support Thickness						
			0.060	0.067	0.075	0.089	0.099	0.105	0.120
4	112	n/c	52	60	68	81	81	81	81
4.5	98	n/c	46	53	61	72	72	72	72
5	87	n/c	42	48	54	64	64	64	64
5.5	78	n/c	38	43	49	58	58	58	58
6	71	n/c	35	40	45	54	54	54	54
7	59	n/c	30	34	39	46	46	46	46
3 Equal Spans									
Span (ft.)	Gravity (psf)	Deflection L/240	Uplift Capacity (psf) per Support Thickness						
			0.060	0.067	0.075	0.089	0.099	0.105	0.120
4	112	n/c	60	68	78	92	92	92	92
4.5	98	n/c	53	60	69	81	81	81	81
5	87	n/c	48	54	62	73	73	73	73
5.5	78	n/c	43	49	56	66	66	66	66
6	71	n/c	40	45	52	61	61	61	61
7	59	n/c	34	39	44	52	52	52	52

Insulated roof panel deflections are held to L/240. Contact the engineering team for minimum panel lengths, span capacities with different exterior or interior panel thicknesses, or fastener configurations.



PRODUCT & ENGINEERING MANUAL

5" PANEL THICKNESS – STANDARD (2) FASTENERS

5" SR2 Insulated Standing Seam Roof Panel – 26 Gauge Exterior/Interior – 2 Fasteners per Clip									
2 Equal Spans									
Span (ft.)	Gravity (psf)	Deflection L/240	Uplift Capacity (psf) per Support Thickness						
			0.060	0.067	0.075	0.089	0.099	0.105	0.120
4	142	n/c	35	40	45	59	69	75	81
4.5	125	n/c	31	35	40	52	61	66	72
5	111	n/c	28	32	36	47	55	60	64
5.5	100	n/c	25	29	33	43	50	54	58
6	90	n/c	23	26	30	39	46	50	54
7	75	n/c	20	22	26	33	39	42	46
3 Equal Spans									
Span (ft.)	Gravity (psf)	Deflection L/240	Uplift Capacity (psf) per Support Thickness						
			0.060	0.067	0.075	0.089	0.099	0.105	0.120
4	142	n/c	40	45	52	67	78	85	92
4.5	125	n/c	35	40	46	60	69	75	81
5	111	n/c	32	36	41	54	62	68	73
5.5	100	n/c	29	33	37	49	57	62	66
6	90	n/c	26	30	34	45	52	56	61
7	75	n/c	22	26	29	38	44	48	52

Insulated roof panel deflections are held to L/240. Contact the engineering team for minimum panel lengths, span capacities with different exterior or interior panel thicknesses, or fastener configurations.



PRODUCT & ENGINEERING MANUAL

5" PANEL THICKNESS – OPTIONAL (3) FASTENERS

5" SR2 Insulated Standing Seam Roof Panel – 26 Gauge Exterior/Interior – 3 Fasteners per Clip									
2 Equal Spans									
Span (ft.)	Gravity (psf)	Deflection L/240	Uplift Capacity (psf) per Support Thickness						
			0.060	0.067	0.075	0.089	0.099	0.105	0.120
4	142	n/c	52	60	68	81	81	81	81
4.5	125	n/c	46	53	61	72	72	72	72
5	111	n/c	42	48	54	64	64	64	64
5.5	100	n/c	38	43	49	58	58	58	58
6	90	n/c	35	40	45	54	54	54	54
7	75	n/c	30	34	39	46	46	46	46
3 Equal Spans									
Span (ft.)	Gravity (psf)	Deflection L/240	Uplift Capacity (psf) per Support Thickness						
			0.060	0.067	0.075	0.089	0.099	0.105	0.120
4	142	n/c	60	68	78	92	92	92	92
4.5	125	n/c	53	60	69	81	81	81	81
5	111	n/c	48	54	62	73	73	73	73
5.5	100	n/c	43	49	56	66	66	66	66
6	90	n/c	40	45	52	61	61	61	61
7	75	n/c	34	39	44	52	52	52	52

Insulated roof panel deflections are held to L/240. Contact the engineering team for minimum panel lengths, span capacities with different exterior or interior panel thicknesses, or fastener configurations.



PRODUCT & ENGINEERING MANUAL

6" PANEL THICKNESS – STANDARD (2) FASTENERS

6" SR2 Insulated Standing Seam Roof Panel – 26 Gauge Exterior/Interior – 2 Fasteners per Clip									
2 Equal Spans									
Span (ft.)	Gravity (psf)	Deflection L/240	Uplift Capacity (psf) per Support Thickness						
			0.060	0.067	0.075	0.089	0.099	0.105	0.120
4	172	n/c	35	40	45	59	69	75	81
4.5	151	n/c	31	35	40	52	61	66	72
5	135	n/c	28	32	36	47	55	60	64
5.5	121	n/c	25	29	33	43	50	54	58
6	110	n/c	23	26	30	39	46	50	54
7	92	n/c	20	22	26	33	39	42	46
3 Equal Spans									
Span (ft.)	Gravity (psf)	Deflection L/240	Uplift Capacity (psf) per Support Thickness						
			0.060	0.067	0.075	0.089	0.099	0.105	0.120
4	172	n/c	40	45	52	67	78	85	92
4.5	151	n/c	35	40	46	60	69	75	81
5	135	n/c	32	36	41	54	62	68	73
5.5	121	n/c	29	33	37	49	57	62	66
6	110	n/c	26	30	34	45	52	56	61
7	92	n/c	22	26	29	38	44	48	52

Insulated roof panel deflections are held to L/240. Contact the engineering team for minimum panel lengths, span capacities with different exterior or interior panel thicknesses, or fastener configurations.



PRODUCT & ENGINEERING MANUAL

6" PANEL THICKNESS – OPTIONAL (3) FASTENERS

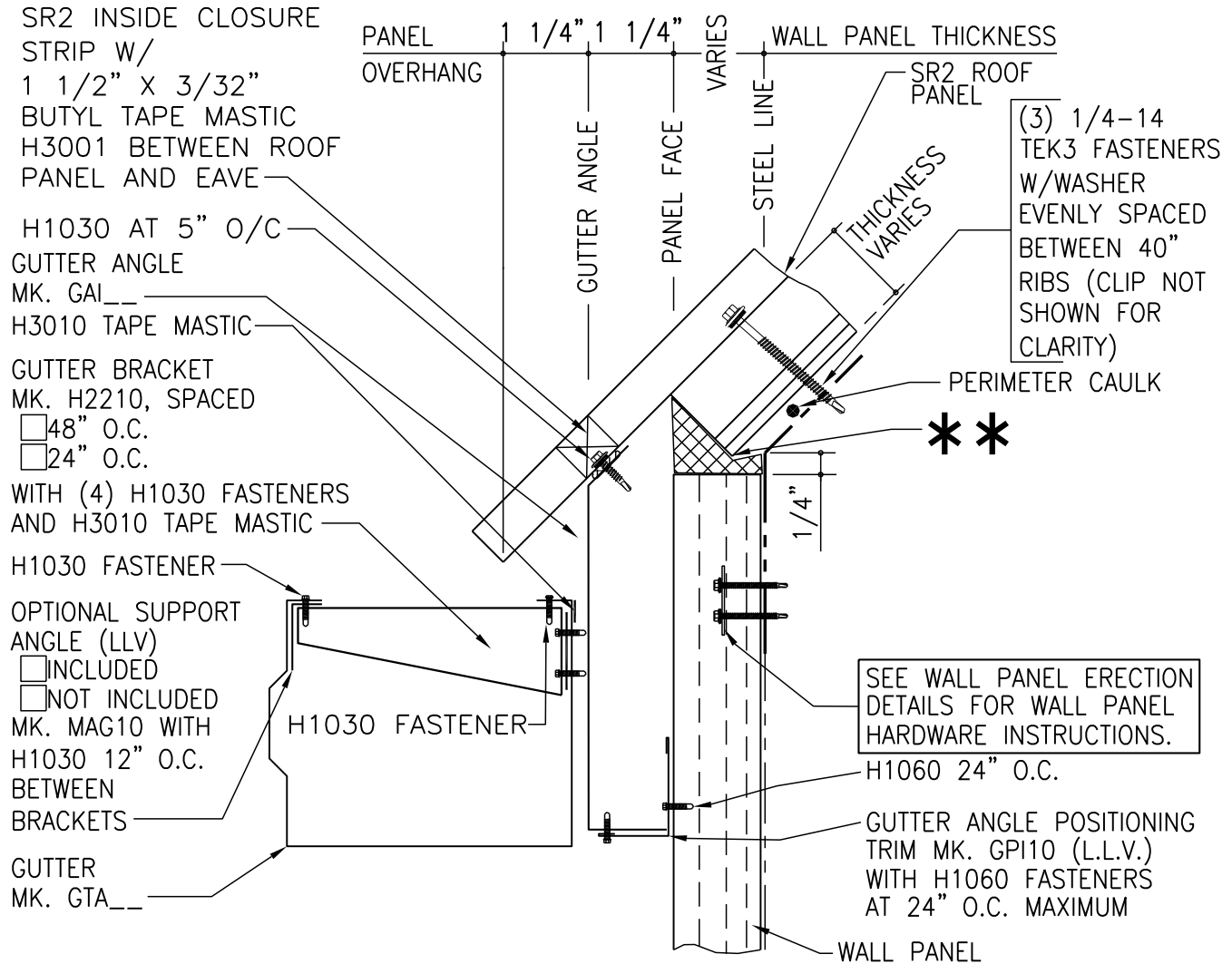
6" SR2 Insulated Standing Seam Roof Panel – 26 Gauge Exterior/Interior – 3 Fasteners per Clip									
2 Equal Spans									
Span (ft.)	Gravity (psf)	Deflection L/240	Uplift Capacity (psf) per Support Thickness						
			0.060	0.067	0.075	0.089	0.099	0.105	0.120
4	172	n/c	52	60	68	81	81	81	81
4.5	151	n/c	46	53	61	72	72	72	72
5	135	n/c	42	48	54	64	64	64	64
5.5	121	n/c	38	43	49	58	58	58	58
6	110	n/c	35	40	45	54	54	54	54
7	92	n/c	30	34	39	46	46	46	46
3 Equal Spans									
Span (ft.)	Gravity (psf)	Deflection L/240	Uplift Capacity (psf) per Support Thickness						
			0.060	0.067	0.075	0.089	0.099	0.105	0.120
4	172	n/c	60	68	78	92	92	92	92
4.5	151	n/c	53	60	69	81	81	81	81
5	135	n/c	48	54	62	73	73	73	73
5.5	121	n/c	43	49	56	66	66	66	66
6	110	n/c	40	45	52	61	61	61	61
7	92	n/c	34	39	44	52	52	52	52

Insulated roof panel deflections are held to L/240. Contact the engineering team for minimum panel lengths, span capacities with different exterior or interior panel thicknesses, or fastener configurations.



STANDARD DETAILS

ED5310PE - HORIZONTAL GUTTER



SR2 HORIZONTAL GUTTER

ED5310

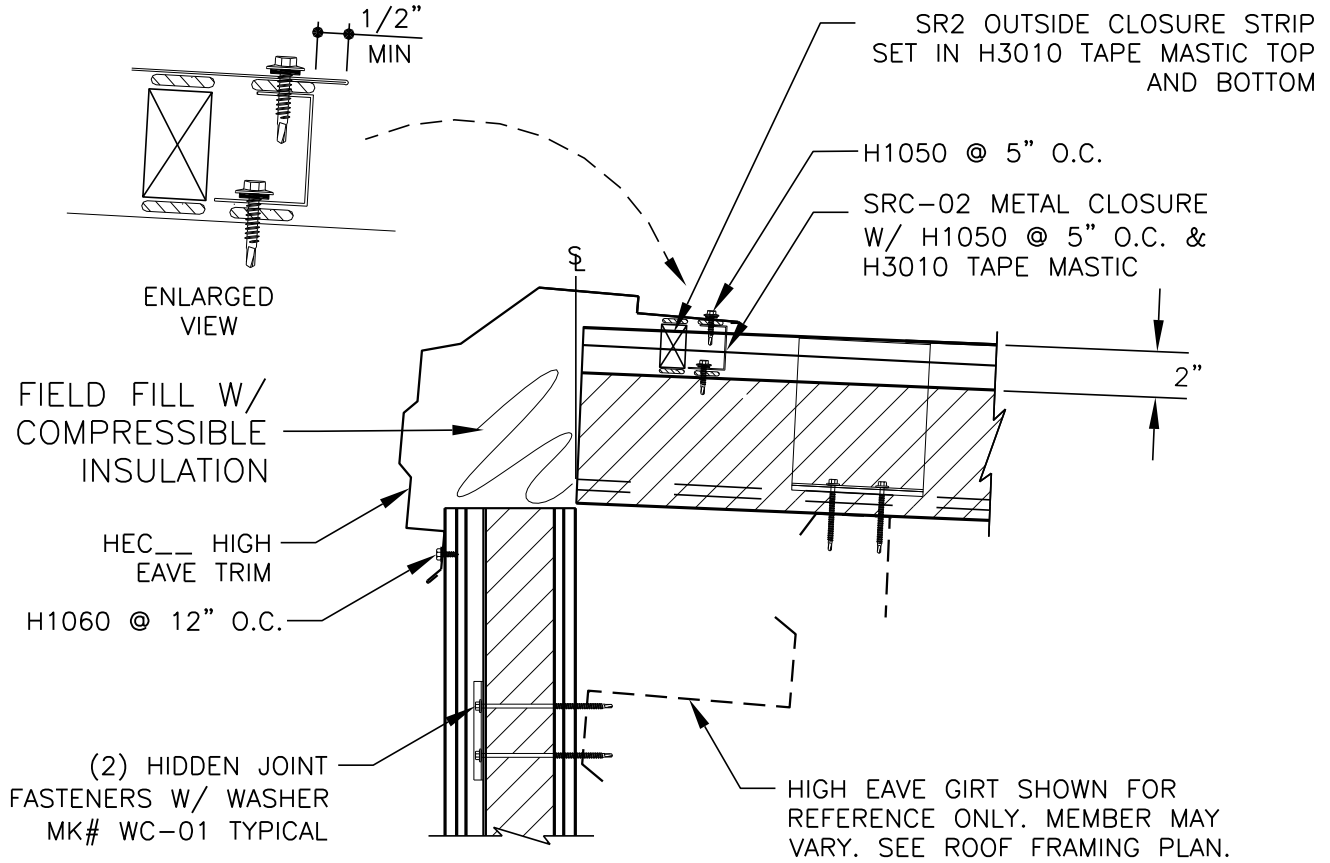
** INSULATED METAL WALL PANEL AT SCULPTURED RAKE
** = PANEL NOTCH WILL NOT LINE UP WITH EAVE LINE. THIS POINT WILL VARY DEPENDING ON THE ROOF SLOPE AND THICKNESS OF PANEL. FIELD FILL GAPS WITH SPRAY-IN-PLACE OR BATT INSULATION.

- Horizontal gutter is provided as the standard.



PRODUCT & ENGINEERING MANUAL

EH5006 - HIGH EAVE SCULPTURED



PANEL THICKNESS	HIDDEN FASTENER
2"	#14 X 2 SDHH
2 1/2"	#14 X 3 SDHH
3"	#14 X 3 SDHH
4"	#14 X 4 SDHH

NOTE: DO NOT OVER DRIVE FASTENERS. IF THE METAL AT THE EDGE OF THE PANEL IS DEFORMED OUT OF PLANE, THE ADJACENT PANEL WILL BE DIFFICULT TO ENGAGE AND WILL NOT SEAM. AFTER SR CLIP HAS BEEN INSTALLED IN PLACE OVER MALE LEG OF STANDING SEAM PANEL, PRE-CRIMP, USING 1/2" HAND CRIMPING TOOL SUPPLIED.

HIGH SIDE EAVE

SR2 INSULATED PANEL
SEE INSULATED WALL PANEL ERECTION NOTES FOR ASSEMBLY METHOD

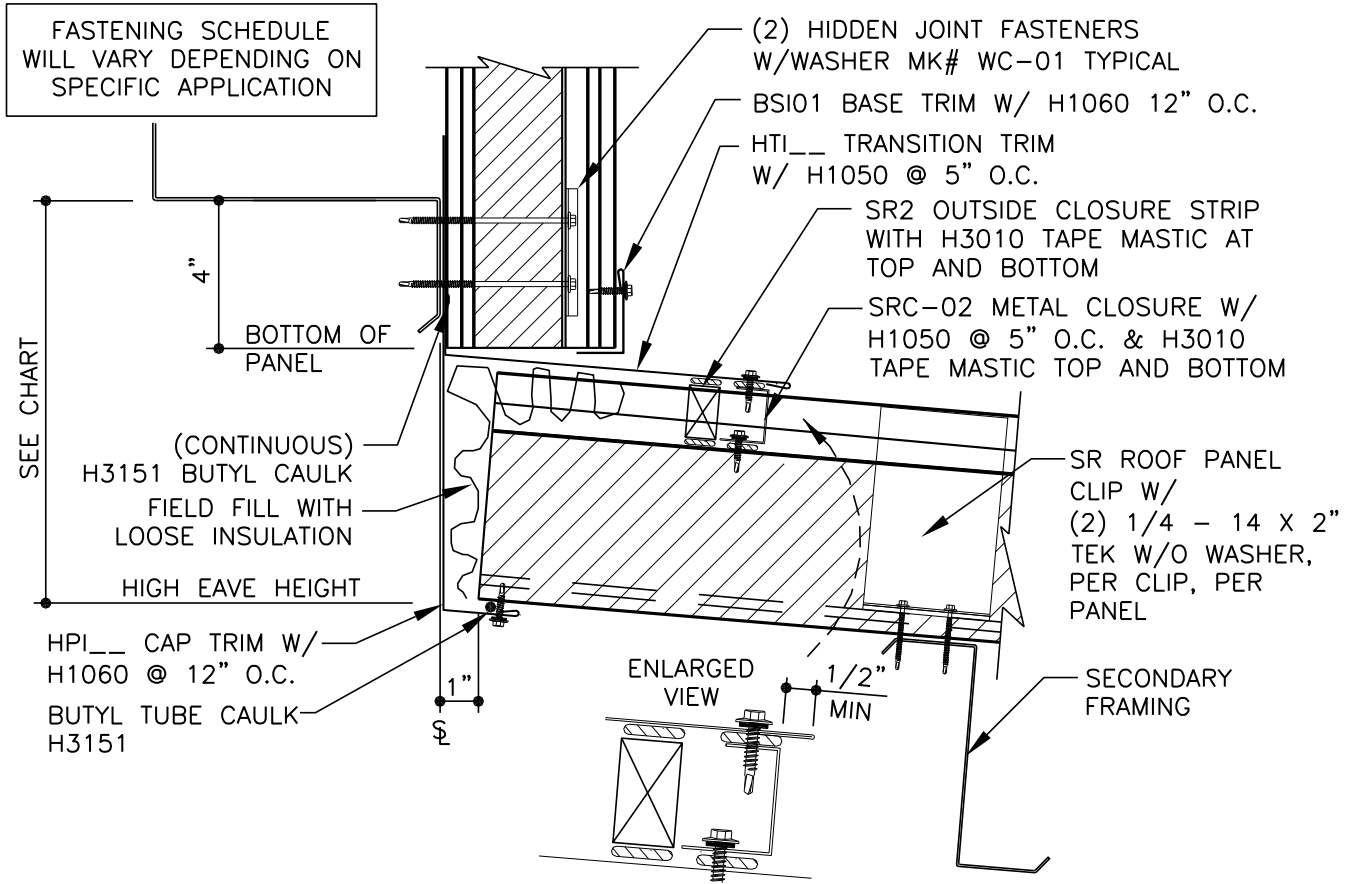
EH5006

- The profile of the high eave sculptured trim matches the profile of the sculptured rake trim so that they can be mitered together.



PRODUCT & ENGINEERING MANUAL

EI5010 - HIGH EAVE PARAPET



PANEL THICKNESS	HIDDEN FASTENER
2"	#14 X 2 SDHH
2 1/2"	#14 X 3 SDHH
3"	#14 X 3 SDHH
4"	#14 X 4 SDHH

ROOF PANEL THICKNESS	DIM.
3 1/4"	9 1/4"
4"	0'-10"
5"	0'-11"
6"	1'-0"

HIGH EAVE PARAPET DETAIL

SR2 INSULATED PANEL

EI5010

LAST REVISION
 DATE: 02/16/15
 BY: AK CHK: EGB

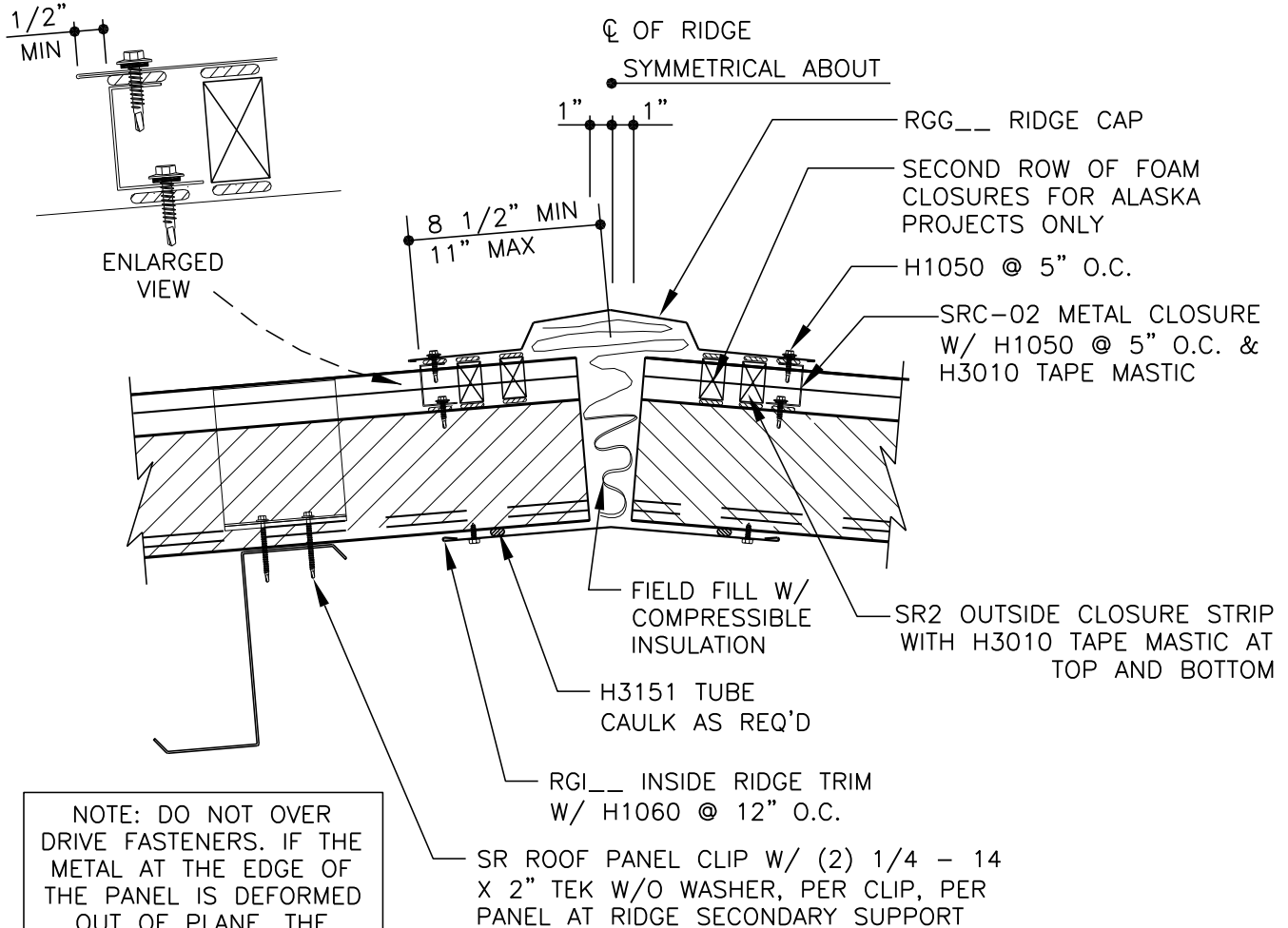
DETAIL NAME IF APPLICABLE
 EI5010.dwg

6.5.13



PRODUCT & ENGINEERING MANUAL

EG5010 - STANDARD RIDGE



NOTE: DO NOT OVER DRIVE FASTENERS. IF THE METAL AT THE EDGE OF THE PANEL IS DEFORMED OUT OF PLANE, THE ADJACENT PANEL WILL BE DIFFICULT TO ENGAGE AND WILL NOT SEAM. AFTER SR CLIP HAS BEEN INSTALLED IN PLACE OVER MALE LEG OF STANDING SEAM PANEL, PRE-CRIMP, USING 1/2" HAND CRIMPING TOOL SUPPLIED.

RIDGE DETAIL

SR2 INSULATED PANEL

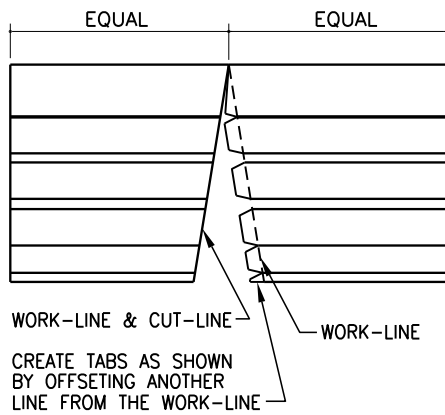
EG5010

- The ridge cap is the same as the CFR low profile ridge cap.

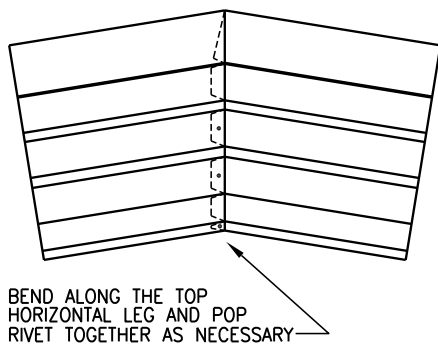


PRODUCT & ENGINEERING MANUAL

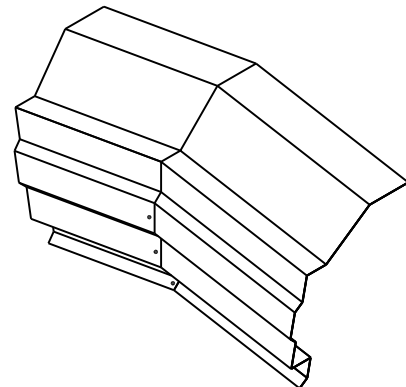
EG2100PE - FIELD FABRICATED METAL PEAK BOX



IMPORTANT NOTE
DO NOT ATTACH THE PEAK BOX TO THE RAKE TRIM OR THE ROOF PANEL. THE RAKE TRIM MUST BE ALLOWED TO FLOAT WITH THERMAL EXPANSION AND CONTRACTION, SEPARATE FROM THE PEAK BOX.
SEE THE ROOF SHEETING ERECTION MANUAL FOR ADDITIONAL PARTS REQUIRED AT THIS LOCATION.



FRONT VIEWS
OF ASSEMBLY PROCESS



ISOMETRIC VIEWS
OF FINISHED ASSEMBLY

FIELD-FABRICATED PEAK BOX INSTRUCTIONS

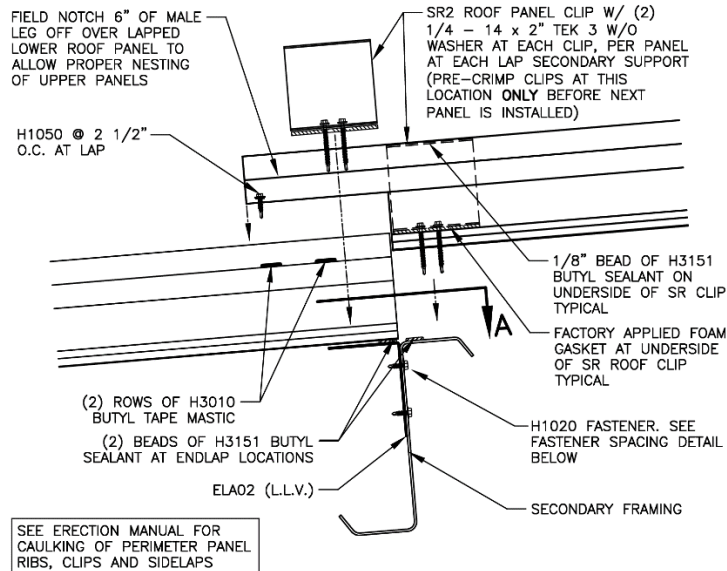
- The customer has the option of purchasing the metal peak boxes or field fabricating a metal peak box out of a piece of standard rake trim.
- The standard metal peak boxes work up through 6:12 roof slope, and only available in white.
- The standard CAD detail for the field fabricated metal peak box shows a lot more information on how to fabricate this.
- The metal peak box, as shown in the detail, allows the rake trim to slide as it is designed to. Field mitering the rake trim together at the peak with sliding clips is not recommended.
- It takes anywhere from 30-60 minutes to field fabricate one of these metal beak boxes.



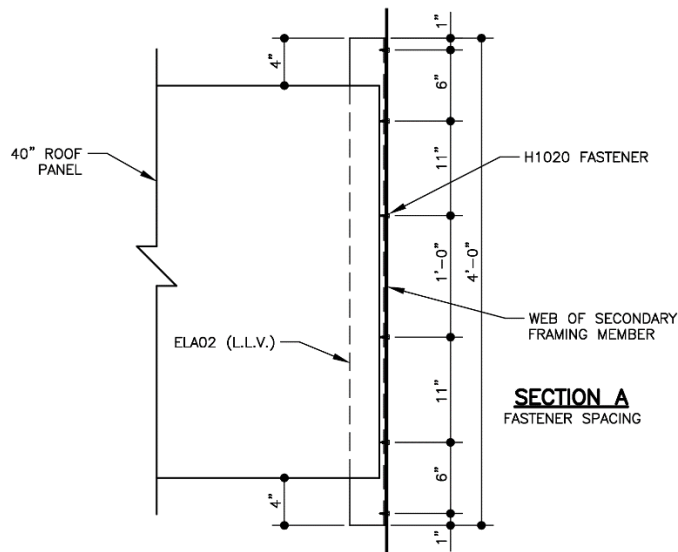
PRODUCT & ENGINEERING MANUAL

EA5021 - END LAP

NOTE: DO NOT OVER DRIVE FASTENERS. IF THE METAL AT THE EDGE OF THE PANEL IS DEFORMED OUT OF PLANE, THE ADJACENT PANEL WILL BE DIFFICULT TO ENGAGE AND WILL NOT SEAM. AFTER SR CLIPS AT THE PANEL LAP AREA HAVE BEEN INSTALLED IN PLACE OVER MALE LEG OF STANDING SEAM PANEL, PRE-CRIMP USING HAND CRIMPING TOOL SUPPLIED IN THE SEAMER KIT. IT IS RECOMMENDED TO CRIMP CLIP TO MALE RIB USING CRIMPER SUPPLIED WITH IMP ACCESSORIES BEFORE INSTALLING NEXT PANEL.



ERECTOR NOTE: FIELD DRILL/NOTCH LAP ANGLE AT PURLIN LAP BOLTS AND PURLIN BRACING AS REQUIRED



SR2 INSULATED PANEL ENDLAP

SR2 INSULATED ROOF PANEL

EA5021

- Insulation and interior metal skin is removed from portion of exterior skin that will be lapped onto the lower panel.
- Sealant is field applied.

LAST REVISION
DATE: 11/21/16
BY: SAA CHK: EGB

DETAIL NAME IF APPLICABLE
[EA5021.dwg](#)

6.5.16