



PRODUCT & ENGINEERING MANUAL

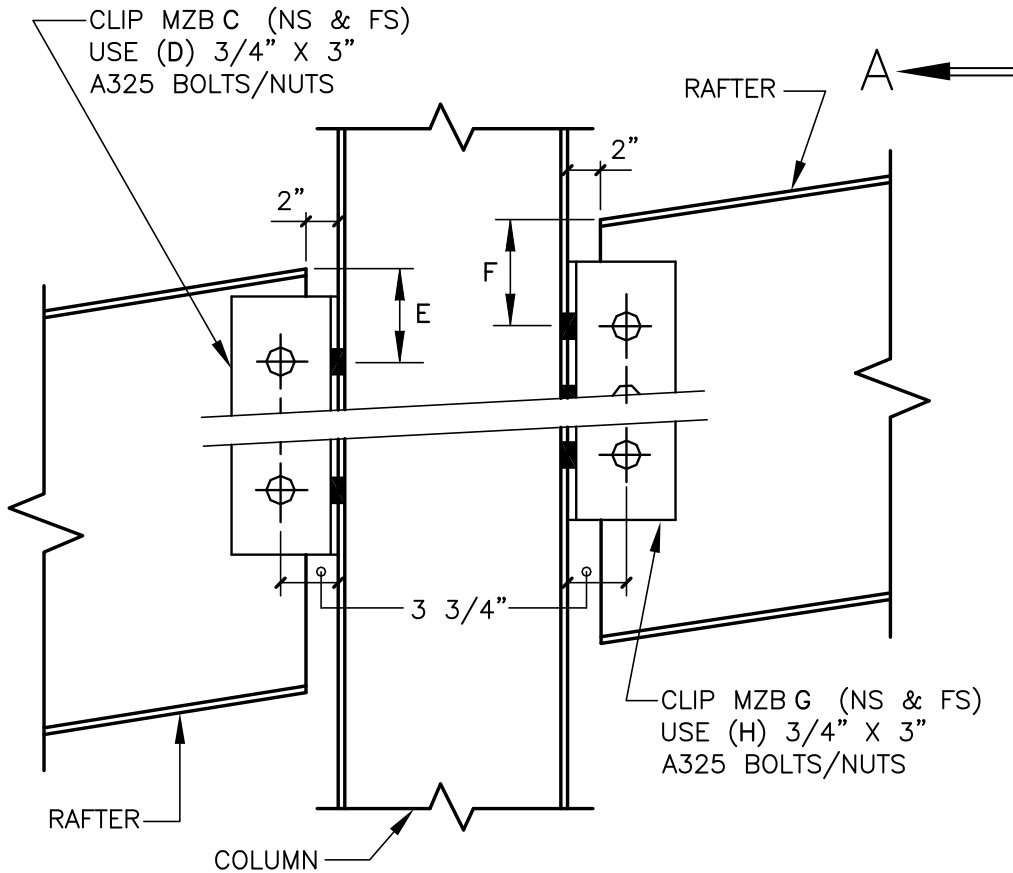
TABLE OF CONTENTS

AT0010 – Rafter to Flange – Both Sides of Column	2
AT0020 – Rafter to Flange – One Side of Column	3
AT0030 – Ridge Connection at Column Flanges	4
AT0040 – Low Eave at Column Flange with Clip	5
AT0050 – High Eave at Column Flange with Clip	6
AT0060 – Rafter to Web – Both Sides of Column.....	7
AT0070 – Rafter to Web – One Side of Column	8
AT0080 – Ridge Connection at Column Web	9
AT0090 – Low Eave at Column Web with Clip	10
AT0100 – High Eave at Column Web with Clip.....	11
AT0110 – Low Eave at Column Web with Stub	12
AT0120 – High Eave at Column Web with Stub	13



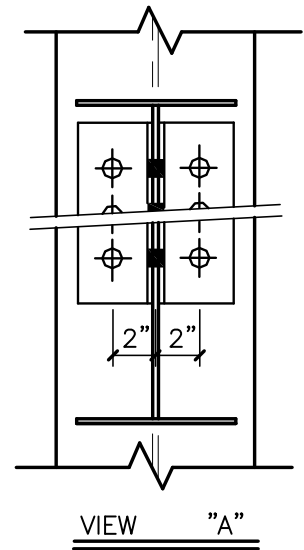
PRODUCT & ENGINEERING MANUAL

AT0010 – RAFTER TO FLANGE – BOTH SIDES OF COLUMN



NOTE:

3/4" WASHERS
REQUIRED OVER
ALL SLOTS.



AUXILIARY RAFTER CONNECTION DETAIL

RAFTER TO FLANGE OF FULL HEIGHT COLUMN

AT0010

LAST REVISION
DATE: 02/16/15
BY: AK CHK: EGB

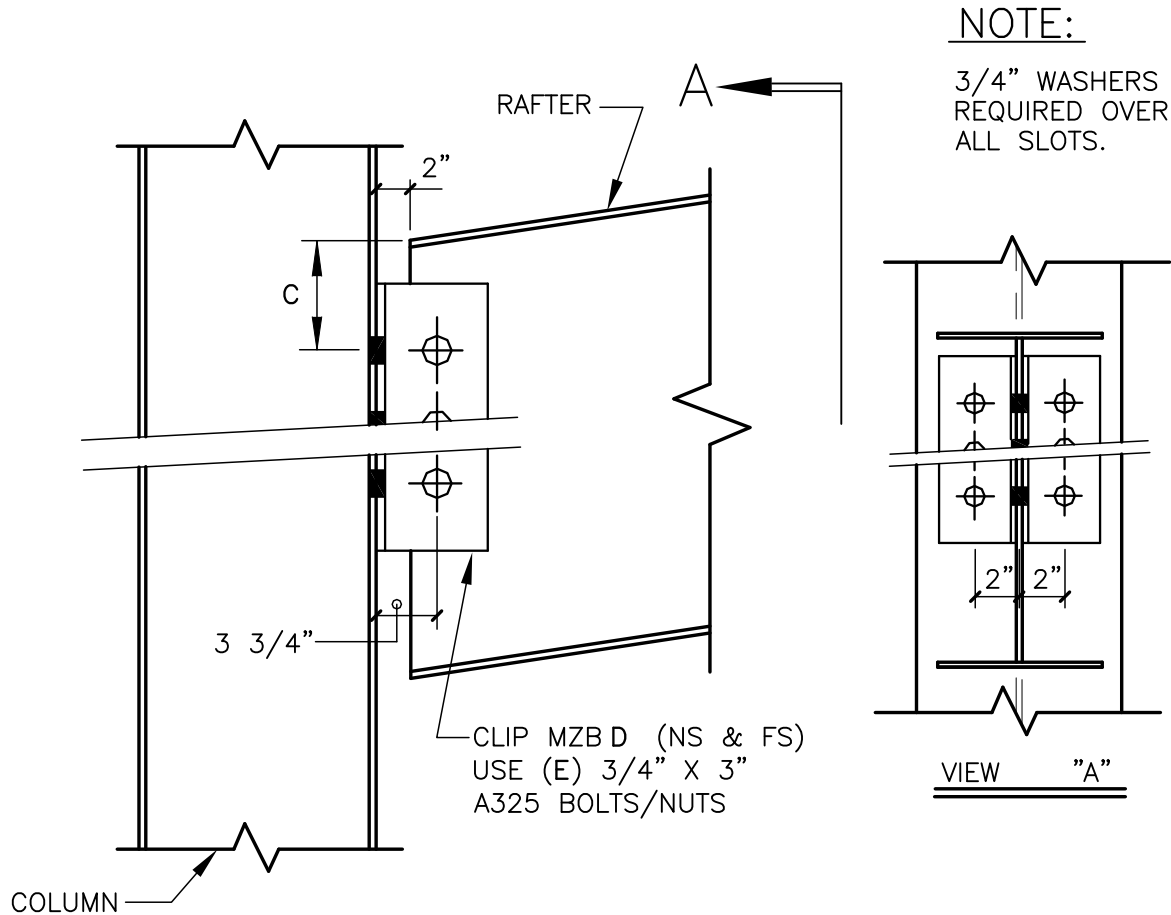
DETAIL NAME IF APPLICABLE
AT0010.DWG

4.12.2



PRODUCT & ENGINEERING MANUAL

AT0020 – RAFTER TO FLANGE – ONE SIDE OF COLUMN



AUXILIARY RAFTER CONNECTION DETAIL

RAFTER TO FLANGE OF FULL HEIGHT COLUMN

AT0020

LAST REVISION
DATE: 02/16/15
BY: AK CHK: EGB

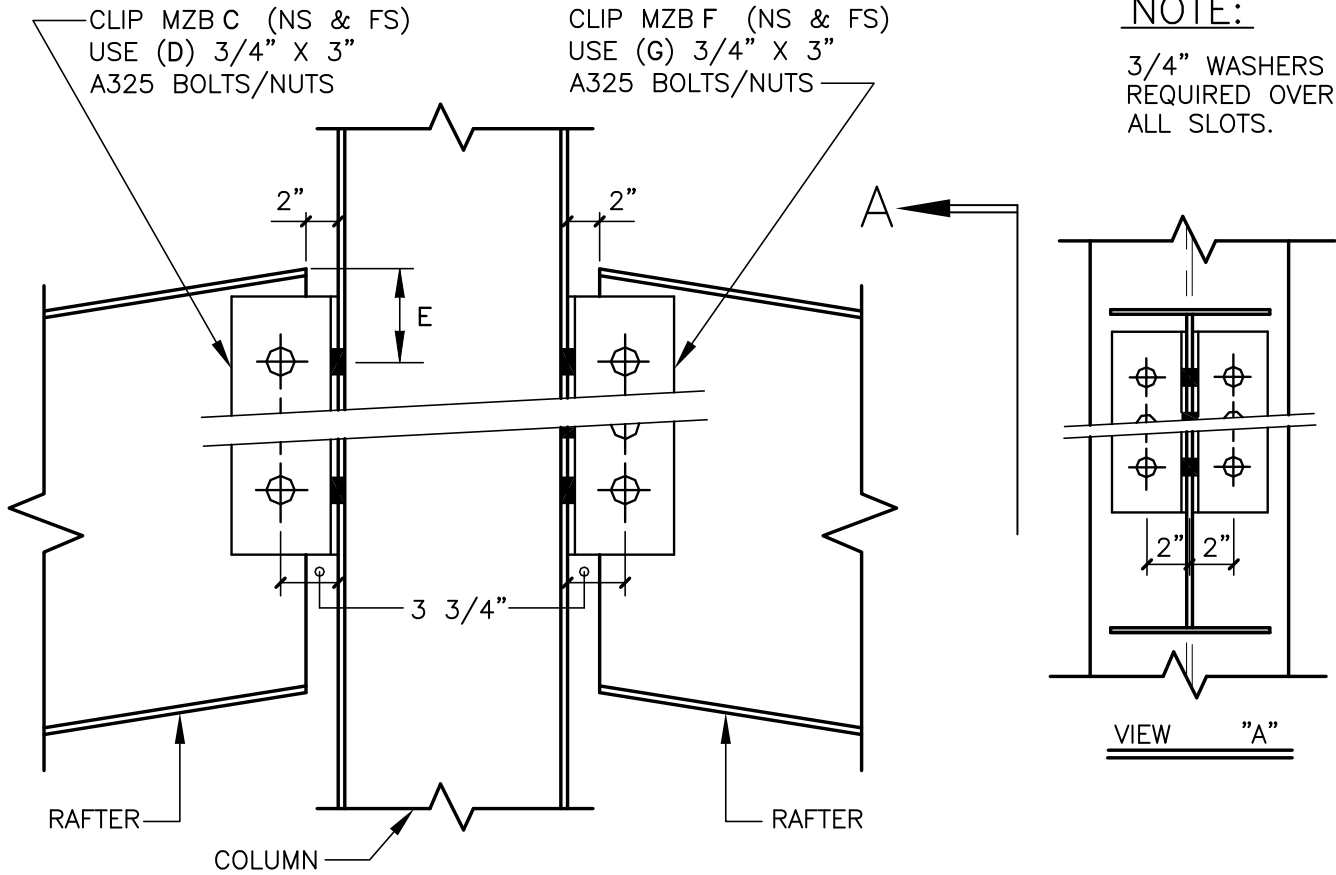
DETAIL NAME IF APPLICABLE
AT0020.DWG

4.12.3



PRODUCT & ENGINEERING MANUAL

AT0030 – RIDGE CONNECTION AT COLUMN FLANGES



AUXILIARY RAFTER CONNECTION DETAIL

RAFTER TO FLANGE OF FULL HEIGHT COLUMN

AT0030

LAST REVISION
DATE: 02/16/15
BY: AK CHK: EGB

DETAIL NAME IF APPLICABLE
AT0030.DWG

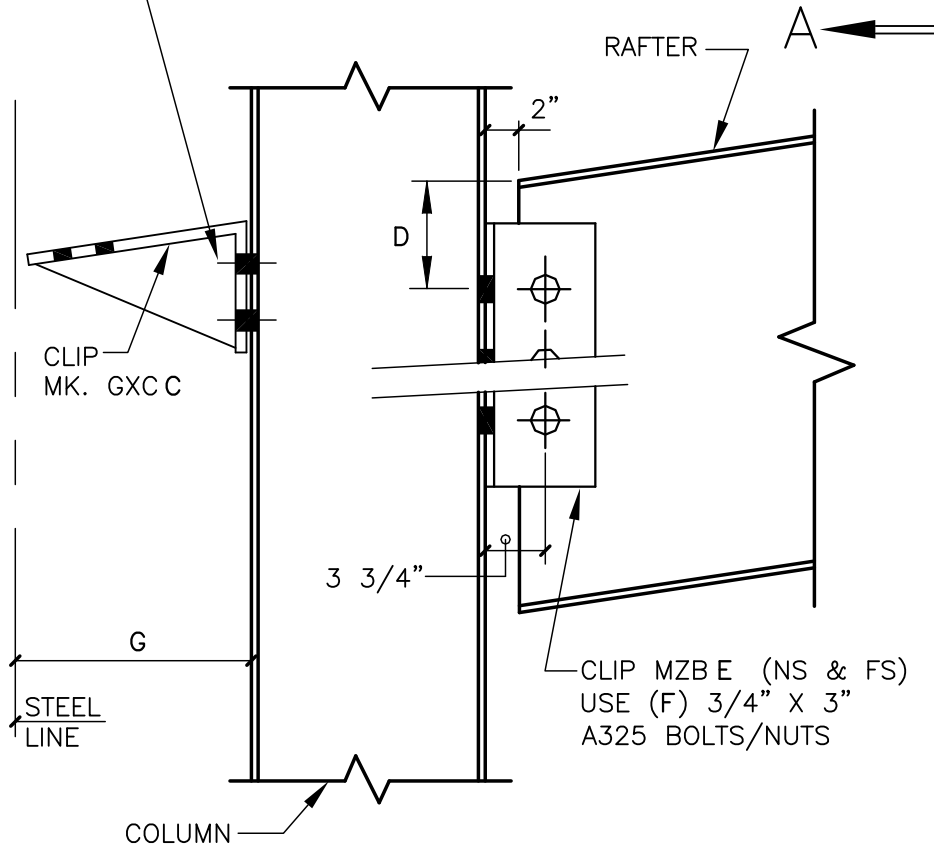
4.12.4



PRODUCT & ENGINEERING MANUAL

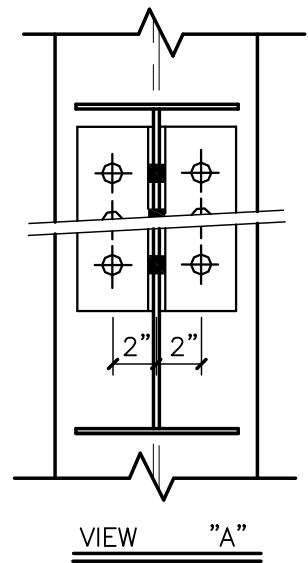
AT0040 – LOW EAVE AT COLUMN FLANGE WITH CLIP

USE (4) 1/2" X 2" A325
BOLTS/NUTS



NOTE:

3/4" WASHERS
REQUIRED OVER
ALL SLOTS.



AUXILIARY RAFTER CONNECTION DETAIL

RAFTER TO FLANGE OF FULL HEIGHT COLUMN

AT0040

LAST REVISION
DATE: 02/16/15
BY: AK CHK: EGB

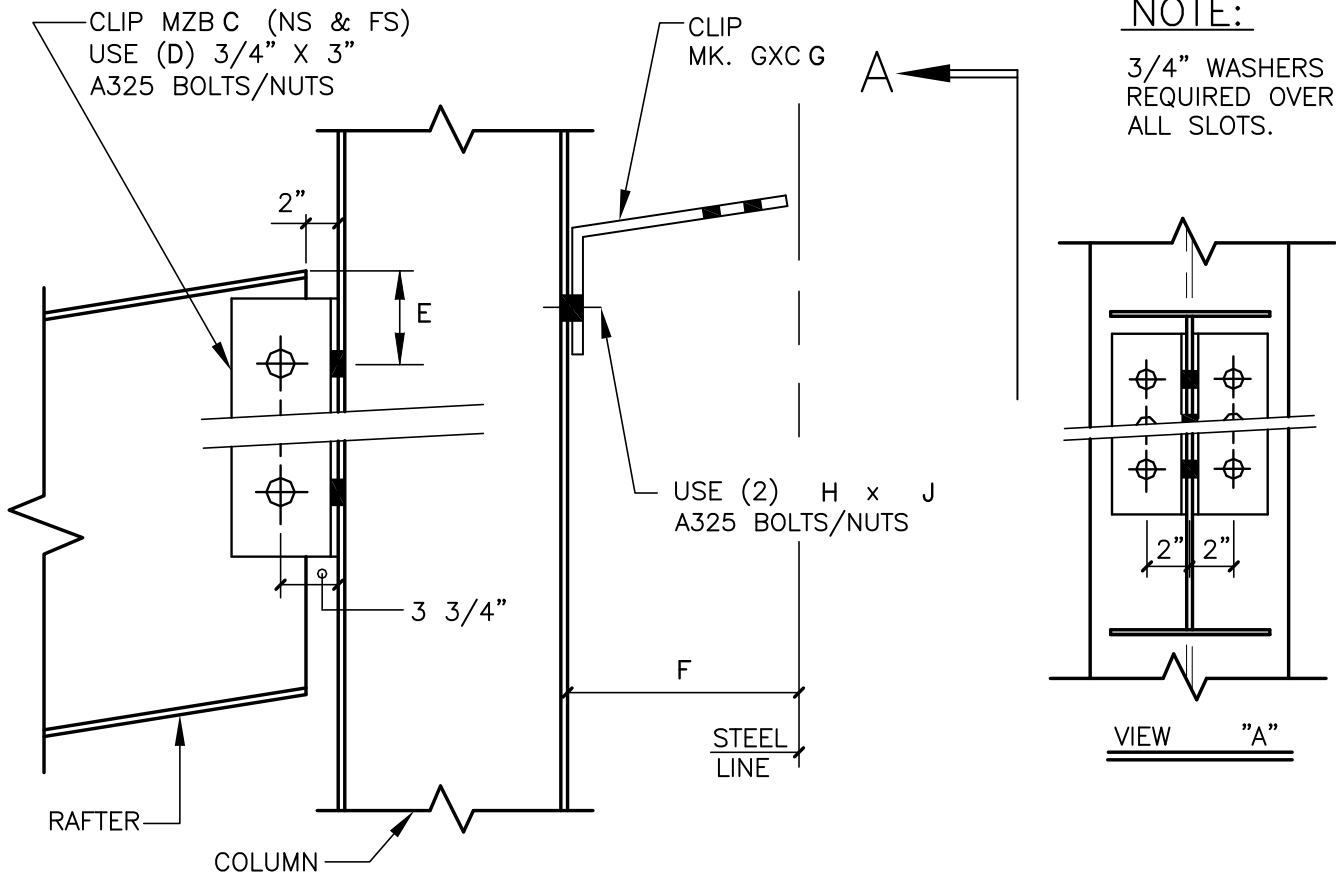
DETAIL NAME IF APPLICABLE
AT0040.DWG

4.12.5



PRODUCT & ENGINEERING MANUAL

AT0050 – HIGH EAVE AT COLUMN FLANGE WITH CLIP



AUXILIARY RAFTER CONNECTION DETAIL

RAFTER TO FLANGE OF FULL HEIGHT COLUMN

AT0050

LAST REVISION
DATE: 02/16/15
BY: AK CHK: EGB

DETAIL NAME IF APPLICABLE
AT0050.DWG

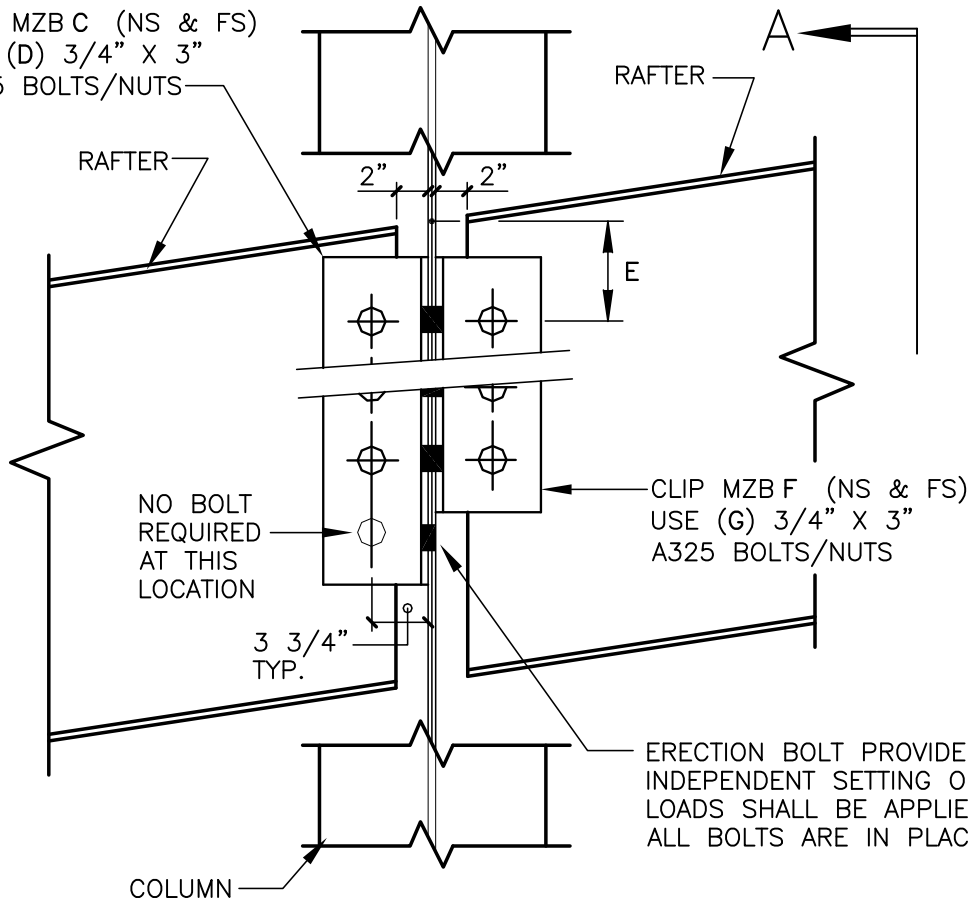
4.12.6



PRODUCT & ENGINEERING MANUAL

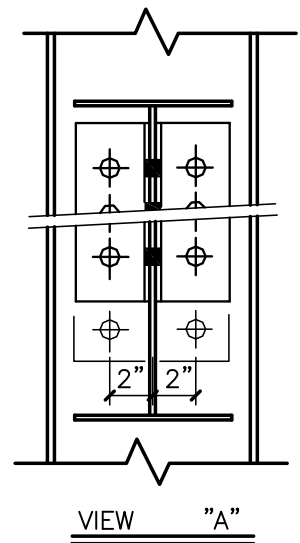
AT0060 – RAFTER TO WEB – BOTH SIDES OF COLUMN

CLIP MZB C (NS & FS)
USE (D) 3/4" X 3"
A325 BOLTS/NUTS



NOTE:

3/4" WASHERS
REQUIRED OVER
ALL SLOTS.



ERECTION BOLT PROVIDED TO ALLOW
INDEPENDENT SETTING OF RAFTERS. NO ROOF
LOADS SHALL BE APPLIED TO RAFTERS UNTIL
ALL BOLTS ARE IN PLACE & TIGHTENED.

AUXILIARY RAFTER CONNECTION DETAIL

RAFTER TO WEB OF FULL HEIGHT COLUMN

AT0060

LAST REVISION
DATE: 02/16/15
BY: AK CHK: EGB

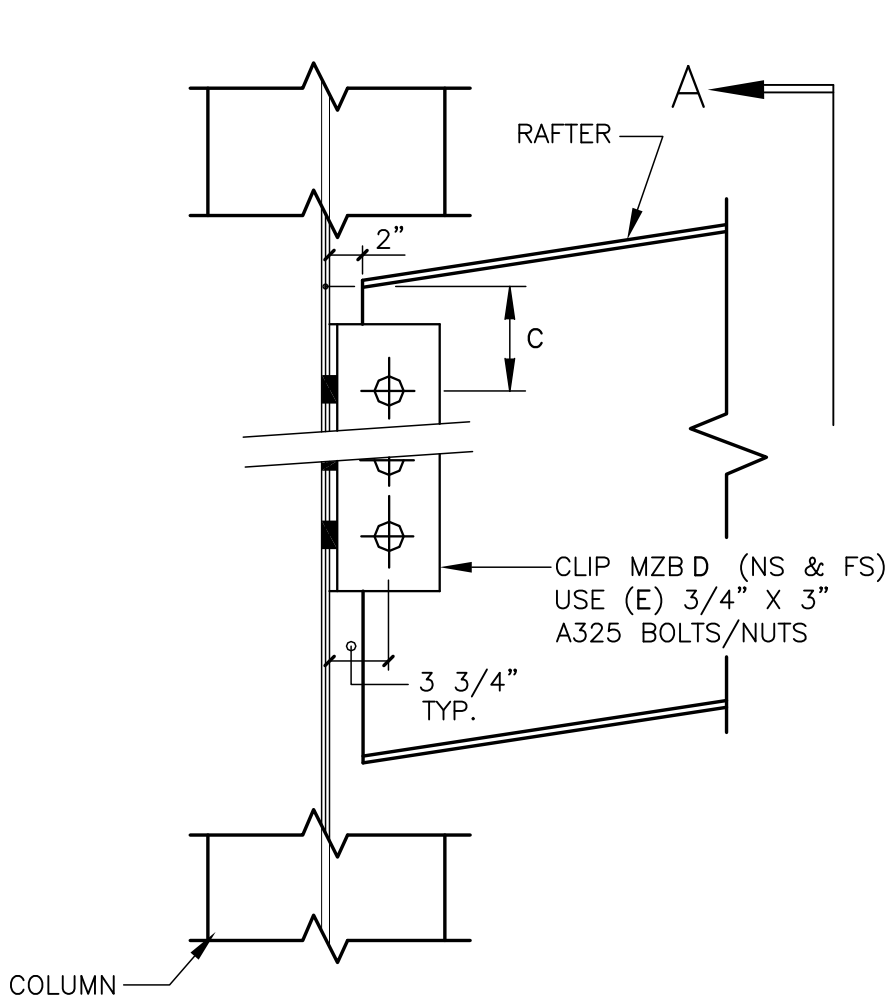
DETAIL NAME IF APPLICABLE
AT0060.DWG

4.12.7



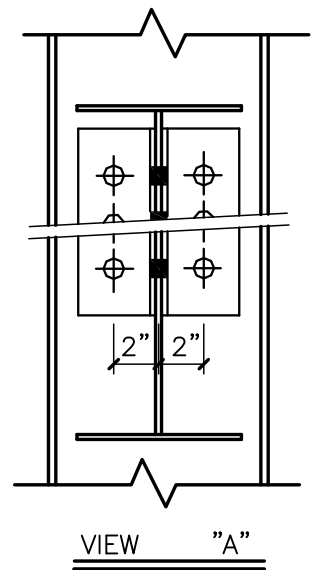
PRODUCT & ENGINEERING MANUAL

AT0070 – RAFTER TO WEB – ONE SIDE OF COLUMN



NOTE:

3/4" WASHERS
REQUIRED OVER
ALL SLOTS.



AUXILIARY RAFTER CONNECTION DETAIL

RAFTER TO WEB OF FULL HEIGHT COLUMN

AT0070

LAST REVISION
DATE: 02/16/15
BY: AK CHK: EGB

DETAIL NAME IF APPLICABLE
AT0070.DWG

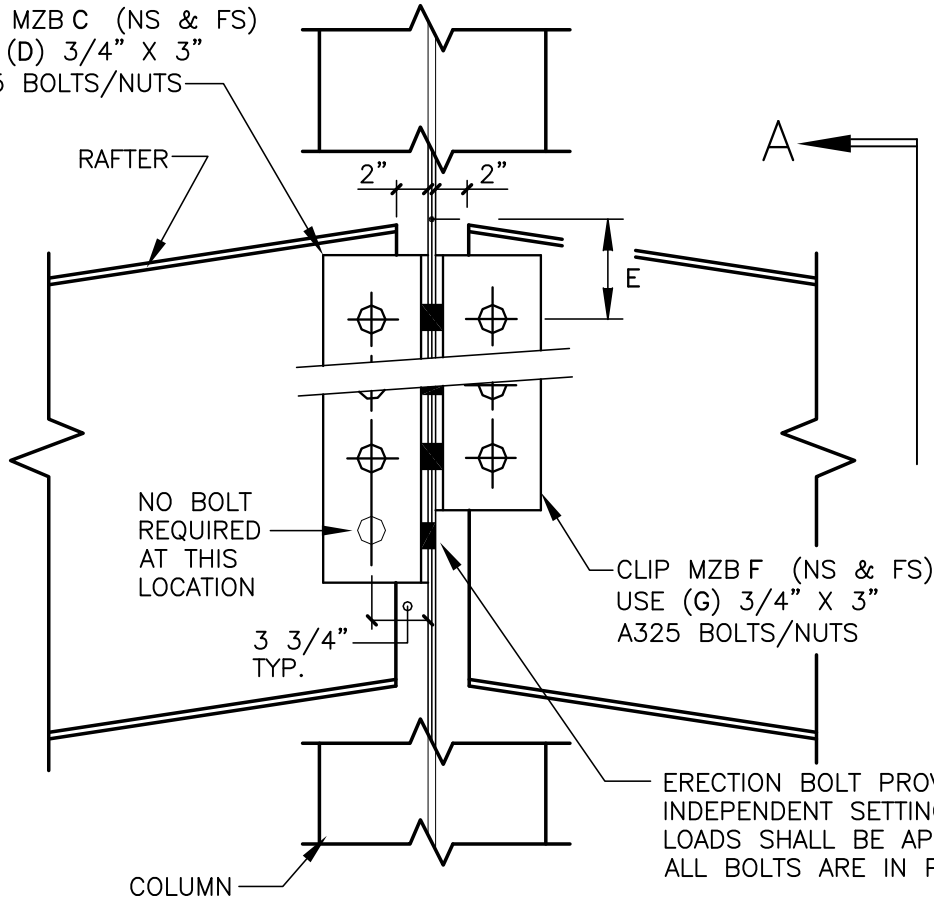
4.12.8



PRODUCT & ENGINEERING MANUAL

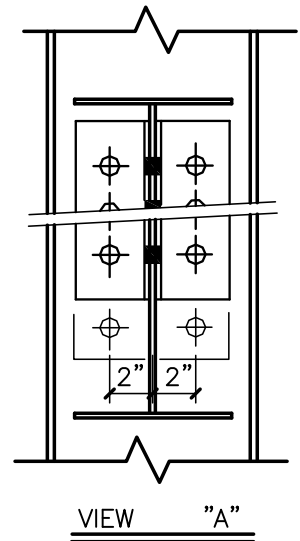
AT0080 – RIDGE CONNECTION AT COLUMN WEB

CLIP MZB C (NS & FS)
USE (D) 3/4" X 3"
A325 BOLTS/NUTS



NOTE:

3/4" WASHERS
REQUIRED OVER
ALL SLOTS.



AUXILIARY RAFTER CONNECTION DETAIL

RAFTER TO WEB OF FULL HEIGHT COLUMN

AT0080

LAST REVISION
DATE: 02/16/15
BY: AK CHK: EGB

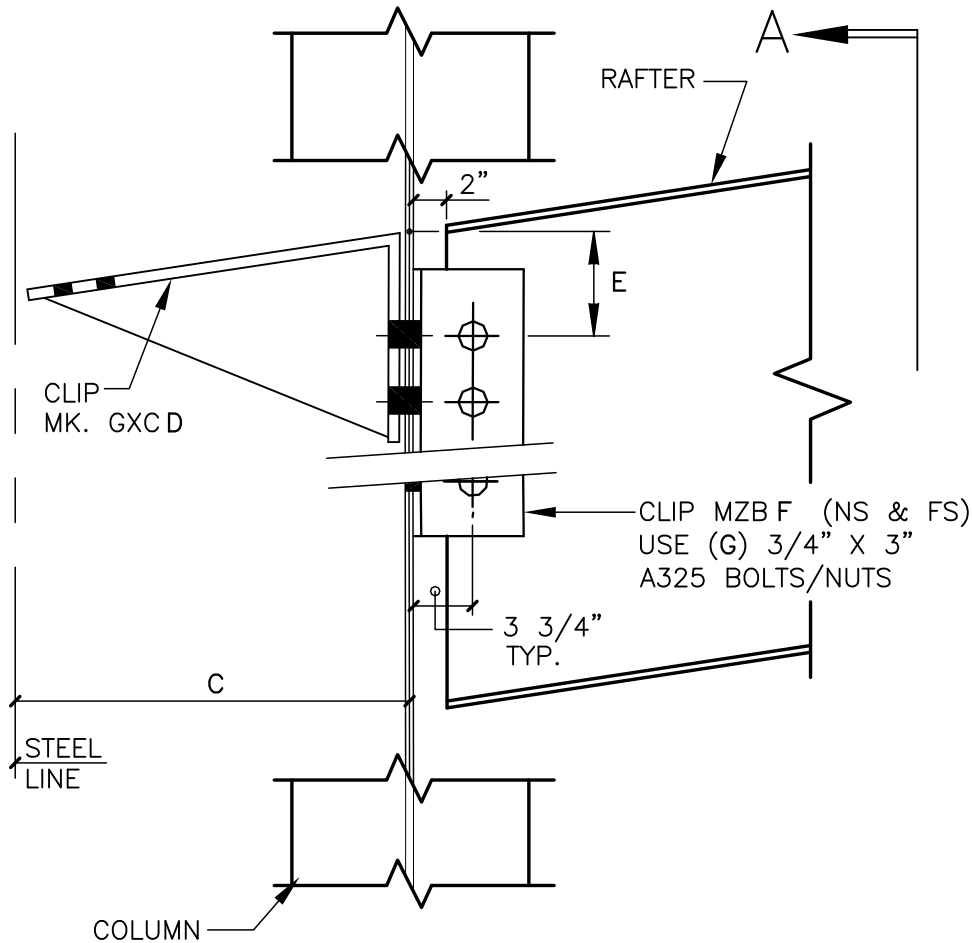
DETAIL NAME IF APPLICABLE
AT0080.DWG

4.12.9



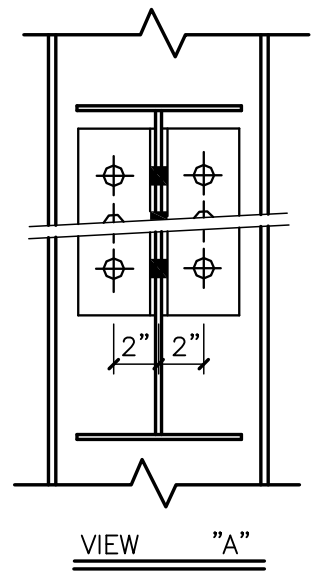
PRODUCT & ENGINEERING MANUAL

AT0090 – LOW EAVE AT COLUMN WEB WITH CLIP



NOTE:

3/4" WASHERS
REQUIRED OVER
ALL SLOTS.



AUXILIARY RAFTER CONNECTION DETAIL

RAFTER TO WEB OF FULL HEIGHT COLUMN

AT0090

LAST REVISION
DATE: 02/16/15
BY: AK CHK: EGB

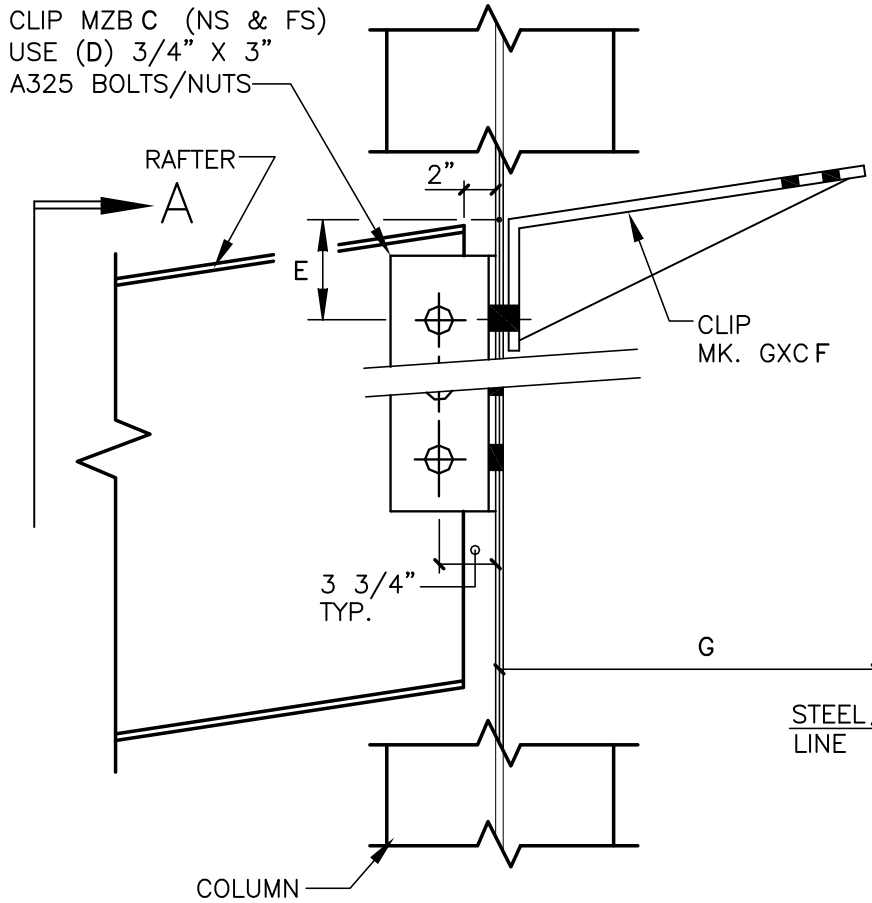
DETAIL NAME IF APPLICABLE
AT0090.DWG

4.12.10



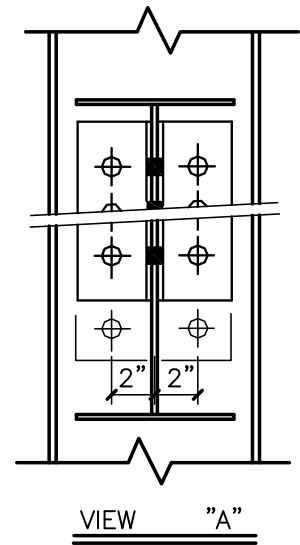
PRODUCT & ENGINEERING MANUAL

AT0100 – HIGH EAVE AT COLUMN WEB WITH CLIP



NOTE:

3/4" WASHERS
REQUIRED OVER
ALL SLOTS.



AUXILIARY RAFTER CONNECTION DETAIL

RAFTER TO WEB OF FULL HEIGHT COLUMN

AT0100

LAST REVISION
DATE: 02/16/15
BY: AK CHK: EGB

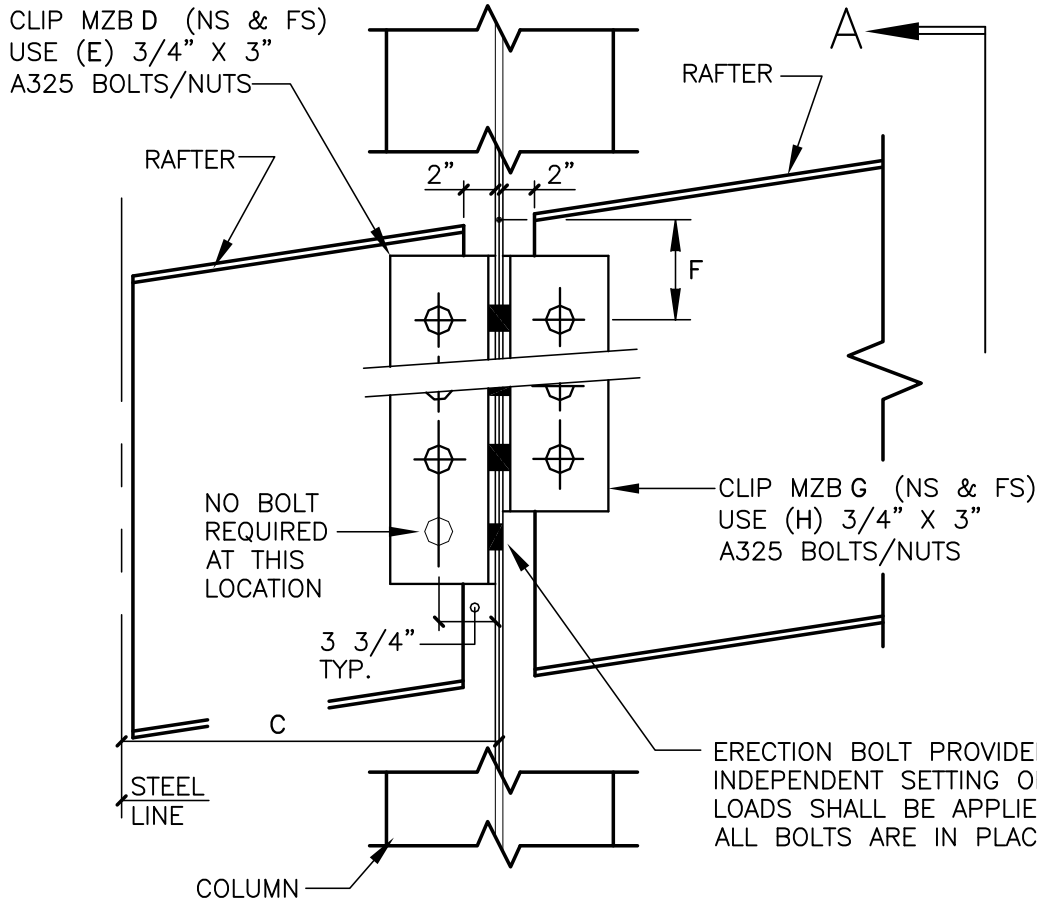
DETAIL NAME IF APPLICABLE
AT0100.DWG

4.12.11



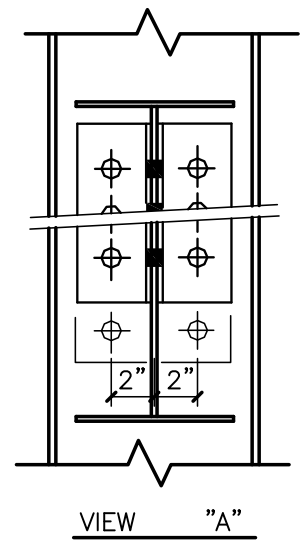
PRODUCT & ENGINEERING MANUAL

AT0110 – LOW EAVE AT COLUMN WEB WITH STUB



NOTE:

3/4" WASHERS
REQUIRED OVER
ALL SLOTS.



AUXILIARY RAFTER CONNECTION DETAIL

RAFTER TO WEB OF FULL HEIGHT COLUMN

AT0110

LAST REVISION
DATE: 02/16/15
BY: AK CHK: EGB

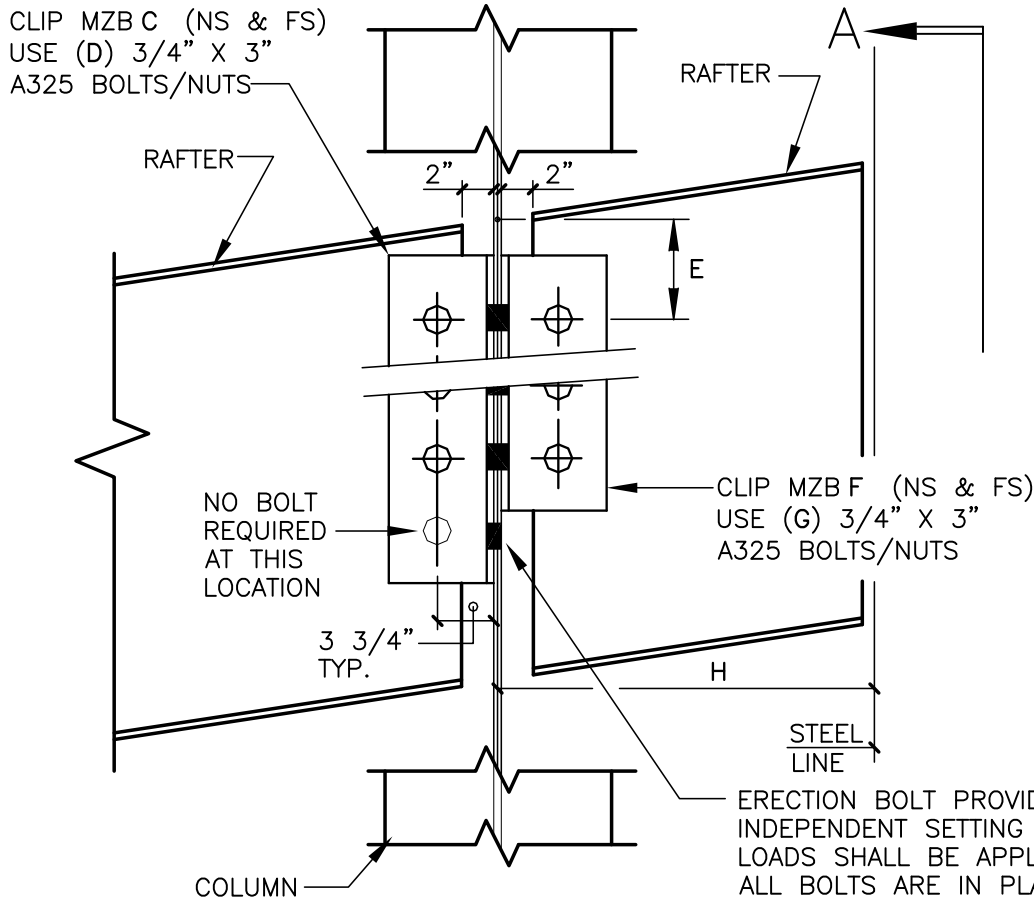
DETAIL NAME IF APPLICABLE
AT0110.DWG

4.12.12



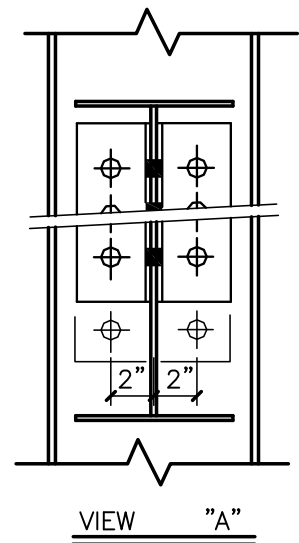
PRODUCT & ENGINEERING MANUAL

AT0120 – HIGH EAVE AT COLUMN WEB WITH STUB



NOTE:

3/4" WASHERS
REQUIRED OVER
ALL SLOTS.



AUXILIARY RAFTER CONNECTION DETAIL

RAFTER TO WEB OF FULL HEIGHT COLUMN

AT0120

LAST REVISION
DATE: 02/16/15
BY: AK CHK: EGB

DETAIL NAME IF APPLICABLE
AT0120.DWG

4.12.13