



# PRODUCT & ENGINEERING MANUAL

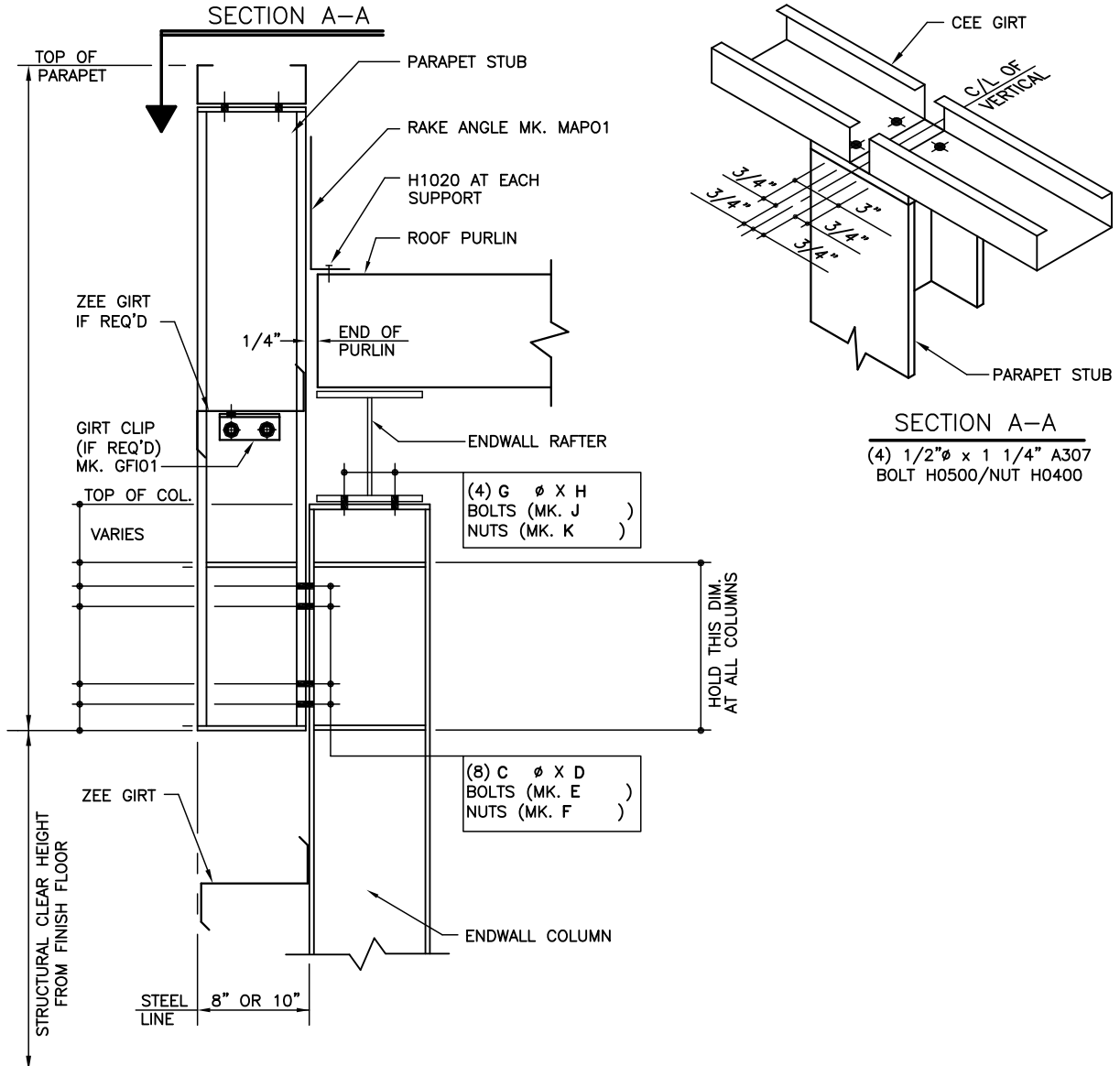
## TABLE OF CONTENTS

AS0010 – Post and Beam Endwall, Bypass Girts.....	2
AS0020 – Post and Beam Endwall, Inset Girts.....	3
AS0030 – Post and Beam Endwall, Flush Girts.....	4
AS0040 – High Eave, Bypass Girts .....	5
AS0050 – High Eave, Inset Girts .....	6
AS0060 – High Eave, Flush Girts .....	7
AS0070 – Rigid Frame Endwall, 8” Bypass Girts .....	8
AS0080 – Rigid Frame Endwall, 10” Bypass Girts .....	9
AS0090 – Rigid Frame Endwall, Inset Girts.....	10
AS0100 – Rigid Frame Endwall, Flush Girts.....	11
AS0110 – Low Eave, Bypass Girts .....	12
AS0120 – Low Eave, Inset Girts .....	13
AS0130 – Low Eave, Flush Girts .....	14



# PRODUCT & ENGINEERING MANUAL

## AS0010 – POST AND BEAM ENDWALL, BYPASS GIRTS



### ENDWALL PARAPET STRUCTURAL

POST AND BEAM ENDWALL WITH BYPASS GIRTS

REFERENCE ERECTOR NOTE FOR TYPICAL WASHER REQUIREMENTS

AS0010

LAST REVISION  
 DATE: 02/16/15  
 BY: AK CHK: EGB

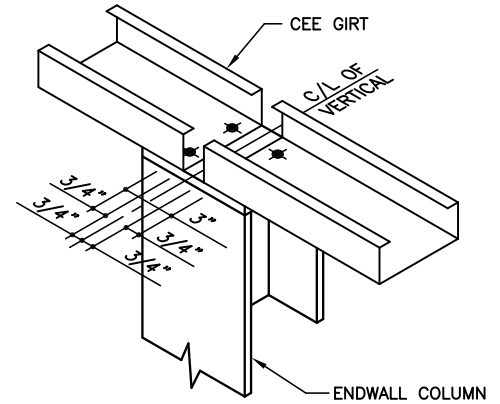
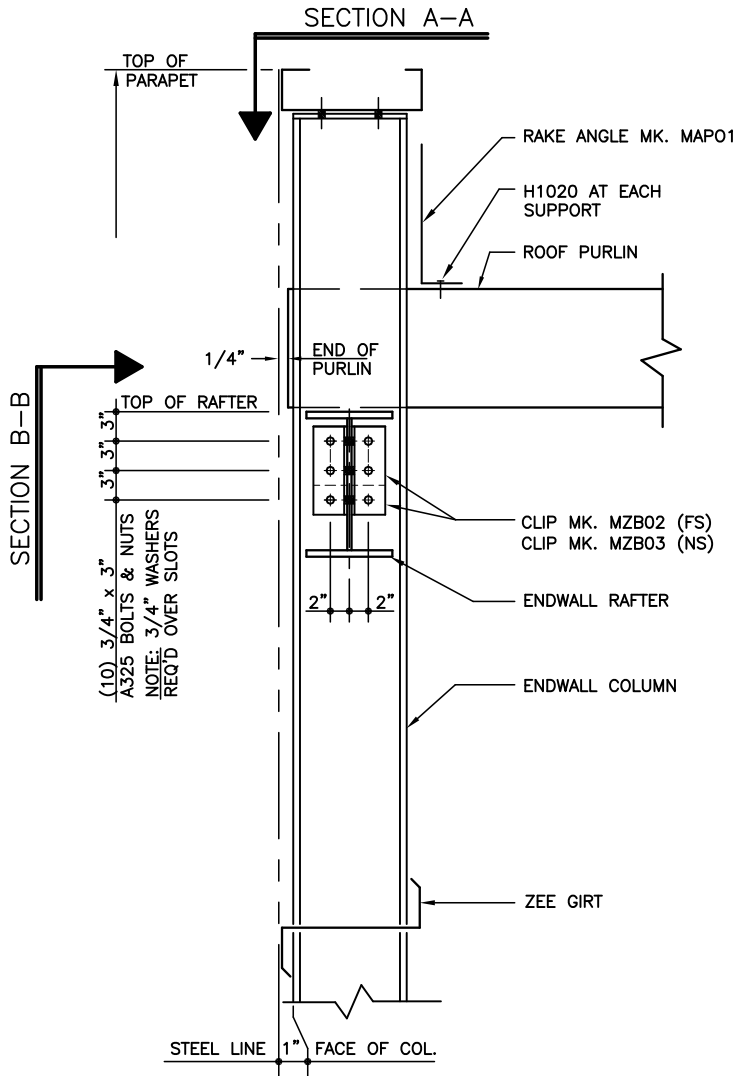
DETAIL NAME IF APPLICABLE  
**AS0010.DWG**

4.11.2

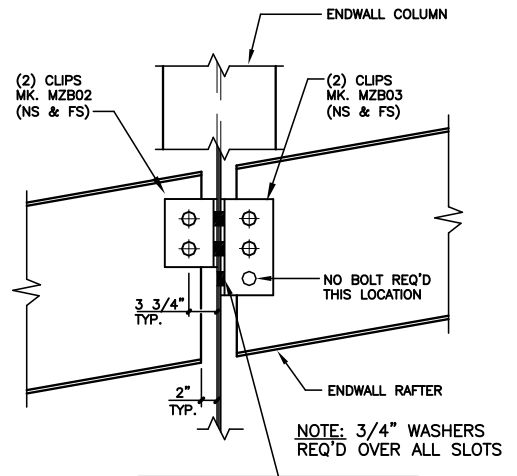


# PRODUCT & ENGINEERING MANUAL

## AS0020 – POST AND BEAM ENDWALL, INSET GIRTS



SECTION A-A  
(4) 1/2"Ø x 1 1/4" A307  
BOLT H0500/NUT H0400



ERECTION BOLT PROVIDED TO ALLOW INDEPENDENT SETTING OF RAFTERS. NO ROOF LOADS SHALL BE APPLIED TO RAFTERS UNTIL ALL BOLTS ARE IN PLACE AND TIGHTENED.

SECTION B-B

### ENDWALL PARAPET STRUCTURAL

POST AND BEAM ENDWALL WITH INSET GIRTS  
REFERENCE ERECTOR NOTE FOR TYPICAL WASHER REQUIREMENTS

AS0020

LAST REVISION  
DATE: 02/16/15  
BY: AK CHK: EGB

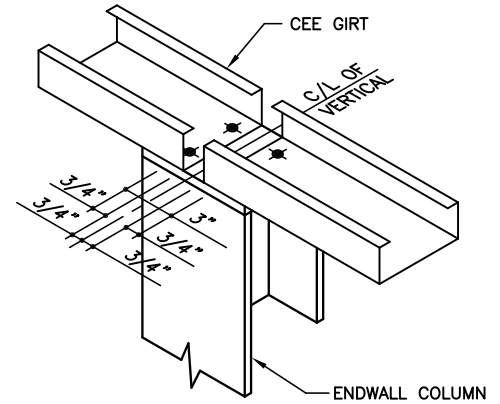
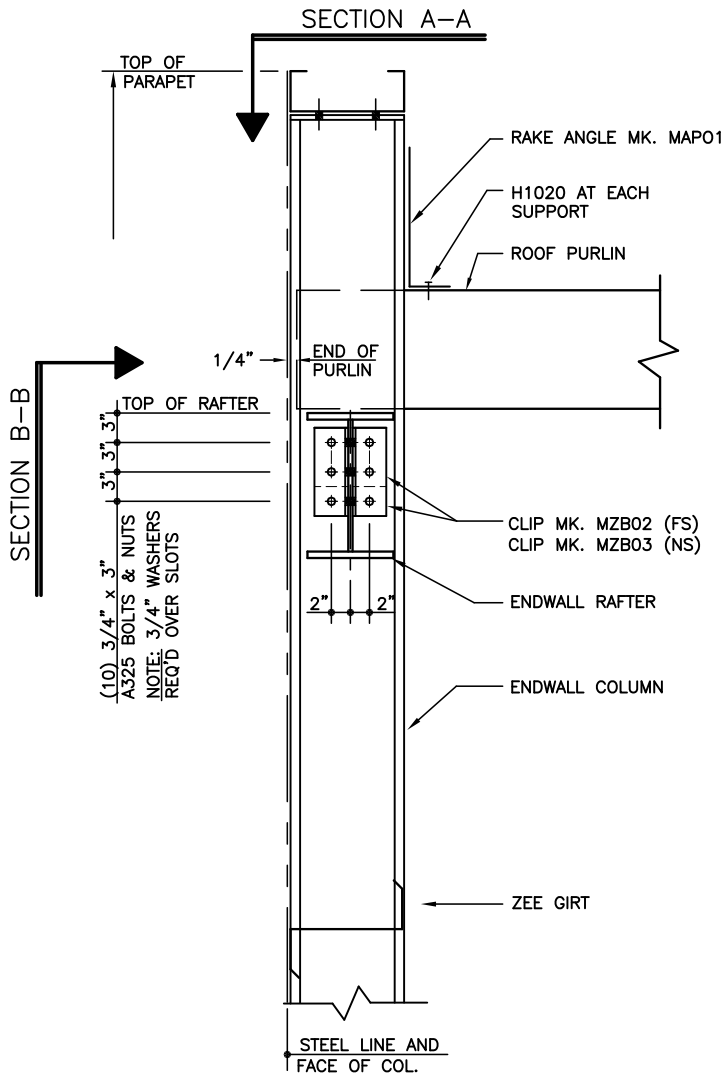
DETAIL NAME IF APPLICABLE  
**AS0020.DWG**

4.11.3

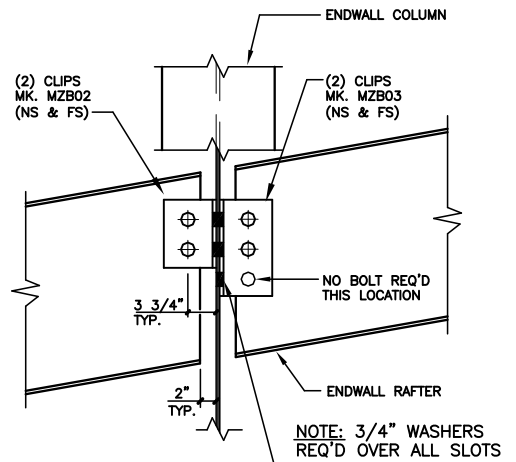


# PRODUCT & ENGINEERING MANUAL

## AS0030 – POST AND BEAM ENDWALL, FLUSH GIRTS



SECTION A-A  
 (4) 1/2"Ø x 1 1/4" A307  
 BOLT H0500/NUT H0400



ERECTOR BOLT PROVIDED TO ALLOW INDEPENDENT SETTING OF RAFTERS. NO ROOF LOADS SHALL BE APPLIED TO RAFTERS UNTIL ALL BOLTS ARE IN PLACE AND TIGHTENED.

SECTION B-B

### ENDWALL PARAPET STRUCTURAL

POST AND BEAM ENDWALL WITH FLUSH GIRTS  
 REFERENCE ERECTOR NOTE FOR TYPICAL WASHER REQUIREMENTS

AS0030

LAST REVISION  
 DATE: 02/16/15  
 BY: AK CHK: EGB

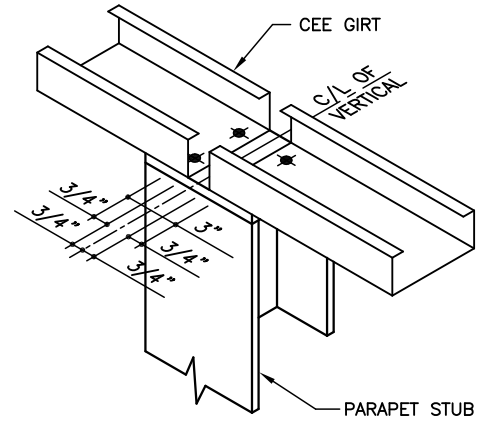
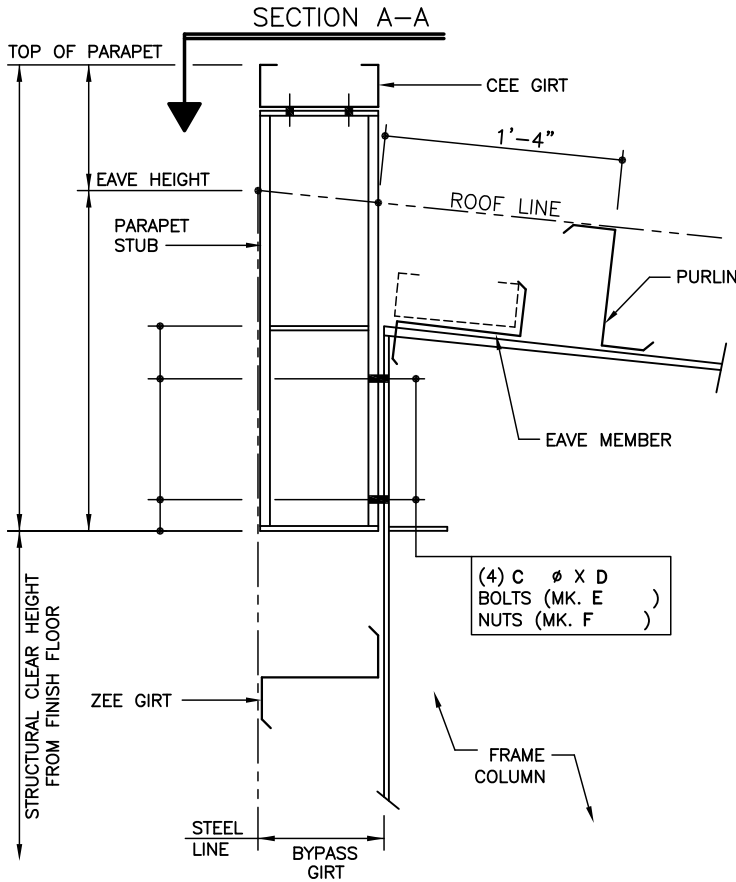
DETAIL NAME IF APPLICABLE  
**AS0030.DWG**

4.11.4



# PRODUCT & ENGINEERING MANUAL

## AS0040 – HIGH EAVE, BYPASS GIRTS



SECTION A-A  
 (4) 1/2"Ø x 1 1/4" A307  
 BOLT H0500/NUT H0400

### HIGH SIDEWALL PARAPET STRUCTURAL

INTERMEDIATE FRAMES WITH BYPASS GIRTS  
 REFERENCE ERECTOR NOTE FOR TYPICAL WASHER REQUIREMENTS

AS0040

LAST REVISION  
 DATE: 02/16/15  
 BY: AK CHK: EGB

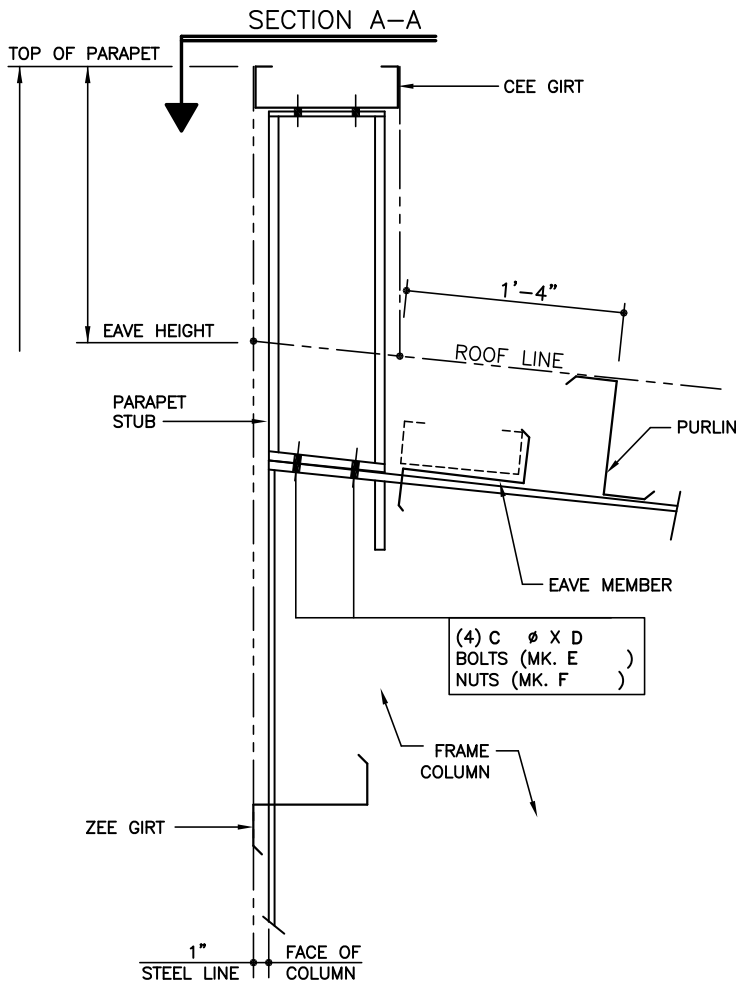
DETAIL NAME IF APPLICABLE  
**AS0040.DWG**

4.11.5

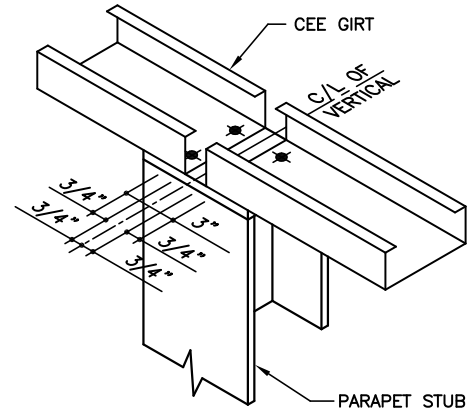


# PRODUCT & ENGINEERING MANUAL

## AS0050 – HIGH EAVE, INSET GIRTS



(4) C  $\phi$  X D  
BOLTS (MK. E )  
NUTS (MK. F )



SECTION A-A  
(4) 1/2"  $\phi$  x 1 1/4" A307  
BOLT H0500/NUT H0400

### HIGH SIDEWALL PARAPET STRUCTURAL

INTERMEDIATE FRAMES WITH INSET GIRTS  
REFERENCE ERECTOR NOTE FOR TYPICAL WASHER REQUIREMENTS

AS0050

LAST REVISION  
DATE: 02/16/15  
BY: AK CHK: EGB

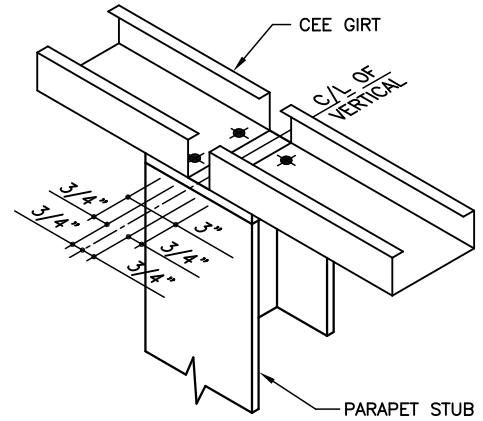
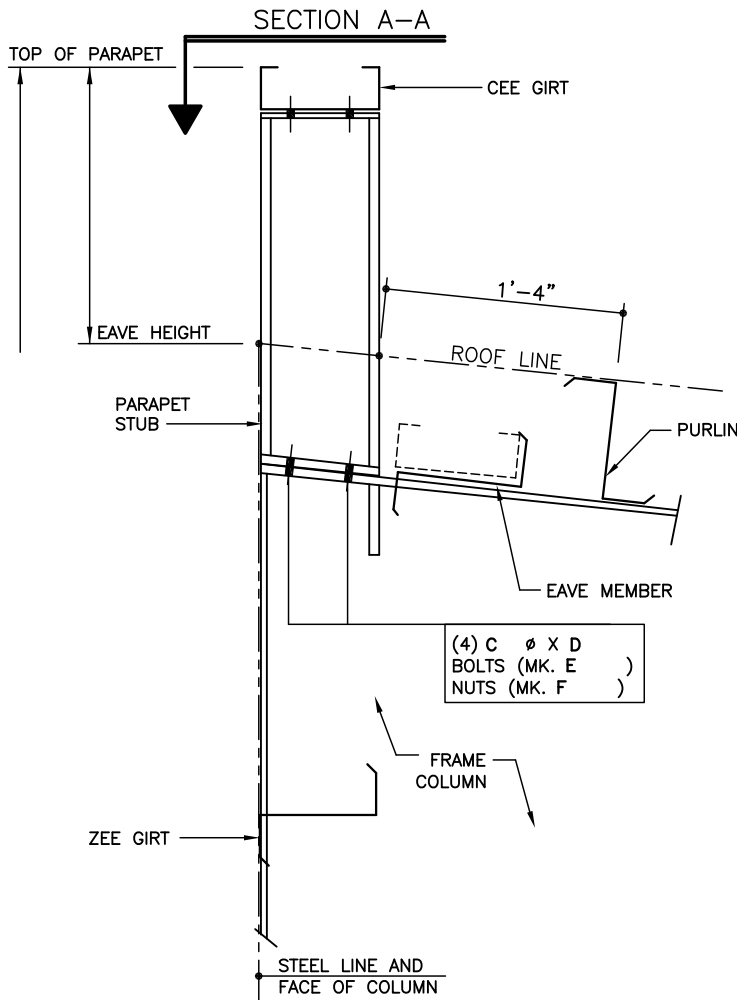
DETAIL NAME IF APPLICABLE  
**AS0050.DWG**

4.11.6



# PRODUCT & ENGINEERING MANUAL

## AS0060 – HIGH EAVE, FLUSH GIRTS



SECTION A-A  
 (4) 1/2"Ø x 1 1/4" A307  
 BOLT H0500/NUT H0400

### HIGH SIDEWALL PARAPET STRUCTURAL

INTERMEDIATE FRAMES WITH FLUSH GIRTS  
 REFERENCE ERECTOR NOTE FOR TYPICAL WASHER REQUIREMENTS

AS0060

LAST REVISION  
 DATE: 02/16/15  
 BY: AK CHK: EGB

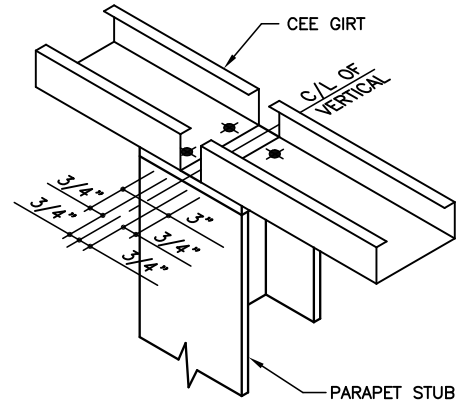
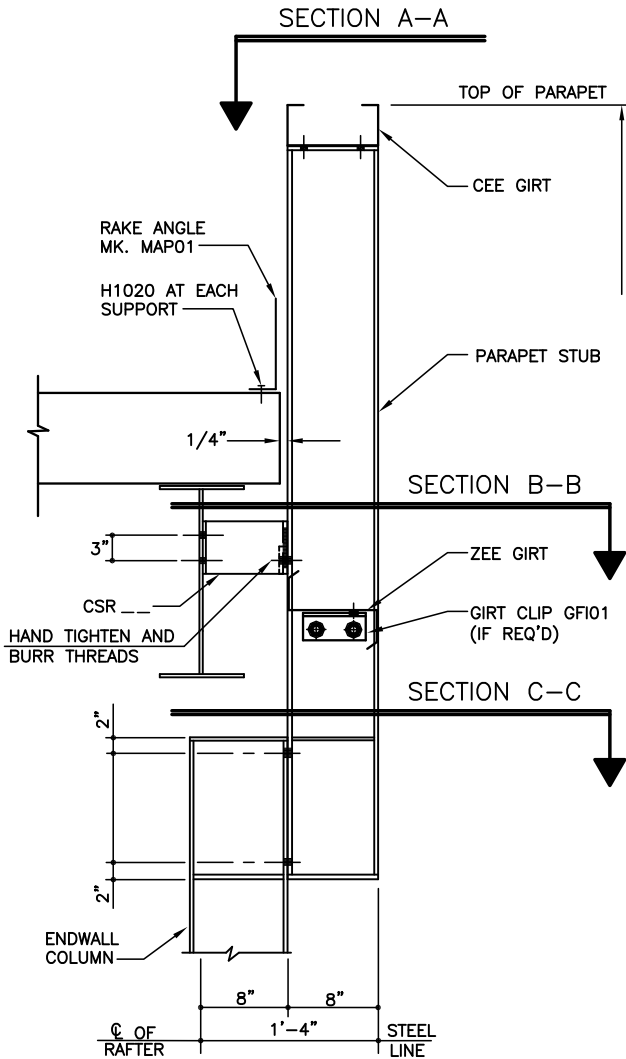
DETAIL NAME IF APPLICABLE  
**AS0060.DWG**

4.11.7

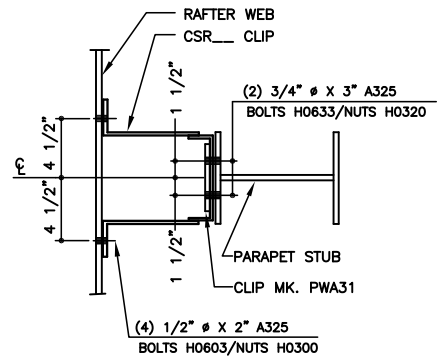


# PRODUCT & ENGINEERING MANUAL

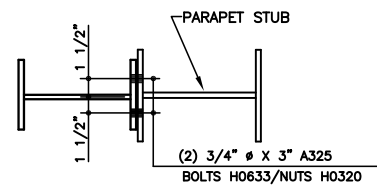
## AS0070 – RIGID FRAME ENDWALL, 8" BYPASS GIRTS



**SECTION A-A**  
 (4) 1/2"  $\phi$  x 1 1/4" A307  
 BOLT H0500/NUT H0400



**SECTION B-B**  
 (2) 3/4"  $\phi$  x 3" A325  
 BOLTS H0633/NUTS H0320  
 (4) 1/2"  $\phi$  x 2" A325  
 BOLTS H0603/NUTS H0300



**SECTION C-C**  
 (2) 3/4"  $\phi$  x 3" A325  
 BOLTS H0633/NUTS H0320

### ENDWALL PARAPET STRUCTURAL

RIGID FRAME ENDWALL WITH BYPASS GIRTS  
 REFERENCE ERECTOR NOTE FOR TYPICAL WASHER REQUIREMENTS

**AS0070**

LAST REVISION  
 DATE: 02/16/15  
 BY: AK CHK: EGB

DETAIL NAME IF APPLICABLE  
**AS0070.DWG**

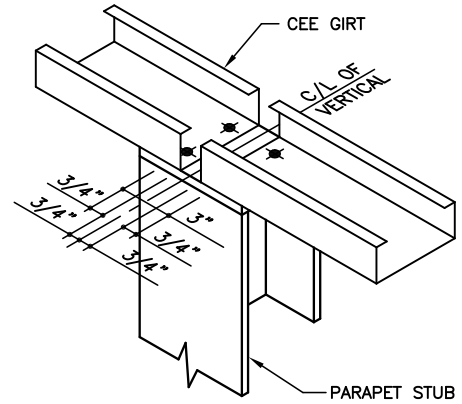
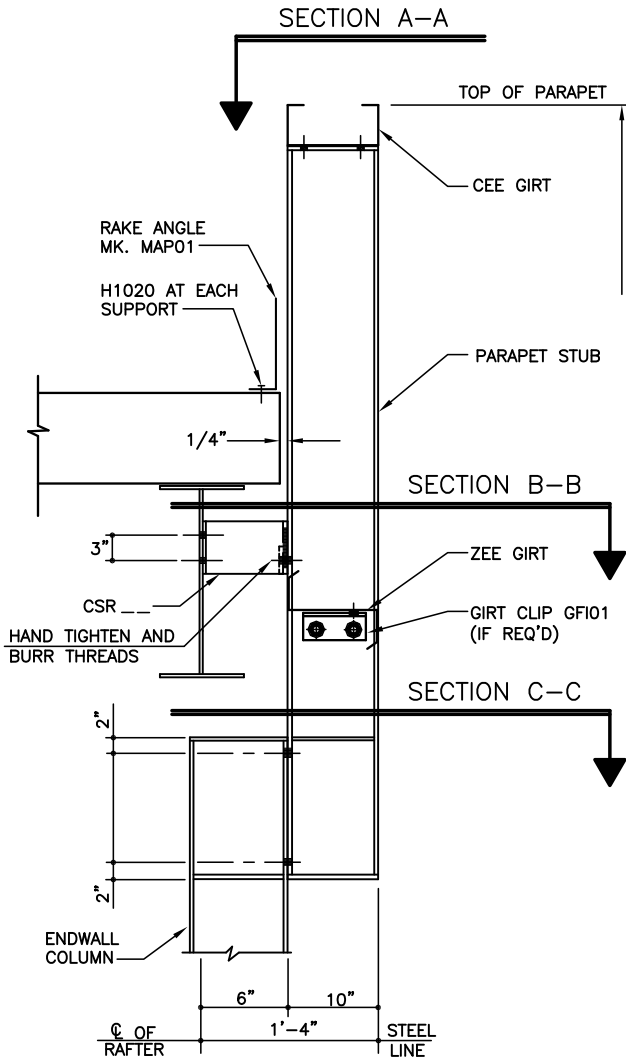
**4.11.8**





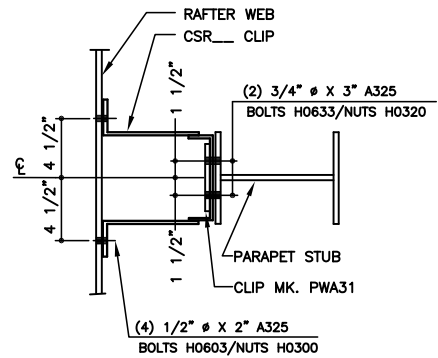
# PRODUCT & ENGINEERING MANUAL

## AS0080 – RIGID FRAME ENDWALL, 10" BYPASS GIRTS



### SECTION A-A

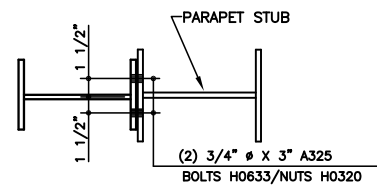
(4) 1/2"  $\phi$  x 1 1/4" A307  
BOLT H0500/NUT H0400



### SECTION B-B

(2) 3/4"  $\phi$  x 3" A325  
BOLTS H0633/NUTS H0320

(4) 1/2"  $\phi$  x 2" A325  
BOLTS H0603/NUTS H0300



### SECTION C-C

(2) 3/4"  $\phi$  x 3" A325  
BOLTS H0633/NUTS H0320

### ENDWALL PARAPET STRUCTURAL

RIGID FRAME ENDWALL WITH BYPASS GIRTS  
REFERENCE ERECTOR NOTE FOR TYPICAL WASHER REQUIREMENTS

AS0080

LAST REVISION  
DATE: 02/16/15  
BY: AK CHK: EGB

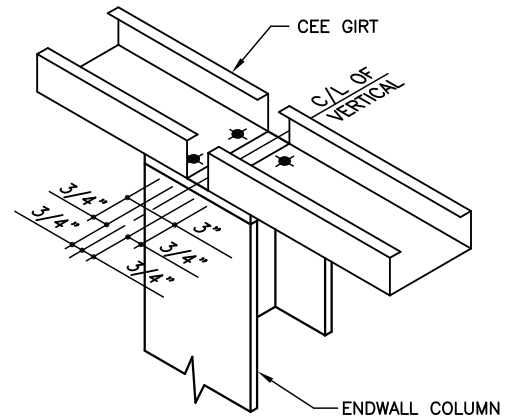
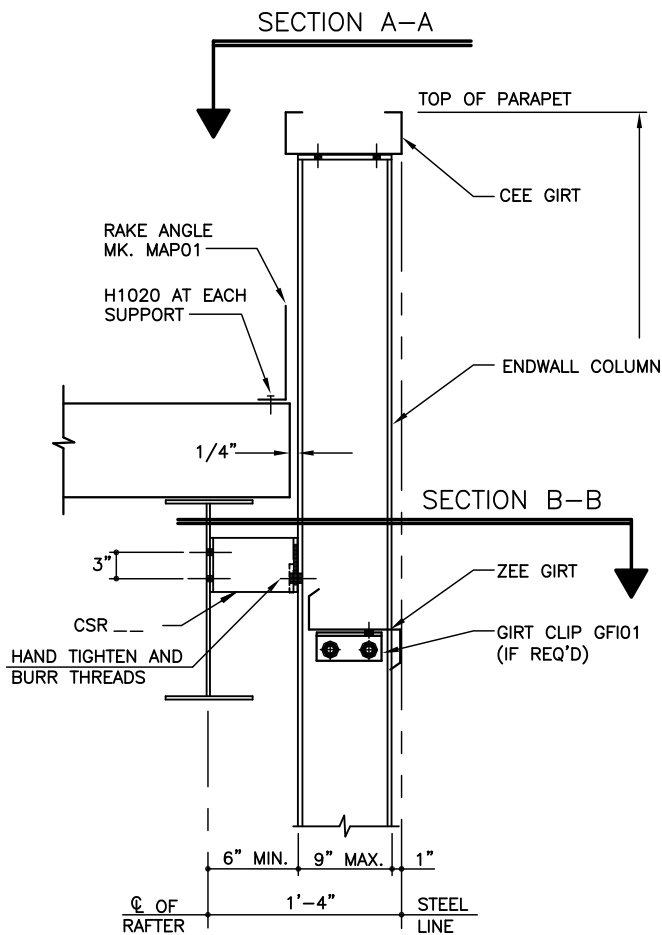
DETAIL NAME IF APPLICABLE  
**AS0080.DWG**

4.11.9

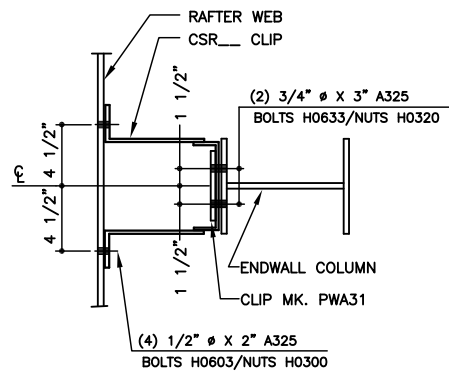


# PRODUCT & ENGINEERING MANUAL

## AS0090 – RIGID FRAME ENDWALL, INSET GIRTS



**SECTION A-A**  
 (4) 1/2"  $\phi$  x 1 1/4" A307  
 BOLT H0500/NUT H0400



**SECTION B-B**

### ENDWALL PARAPET STRUCTURAL

RIGID FRAME ENDWALL WITH INSET GIRTS  
 REFERENCE ERECTOR NOTE FOR TYPICAL WASHER REQUIREMENTS

AS0090

LAST REVISION  
 DATE: 02/16/15  
 BY: AK CHK: EGB

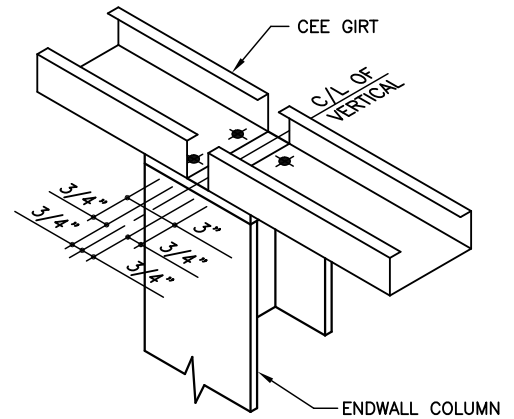
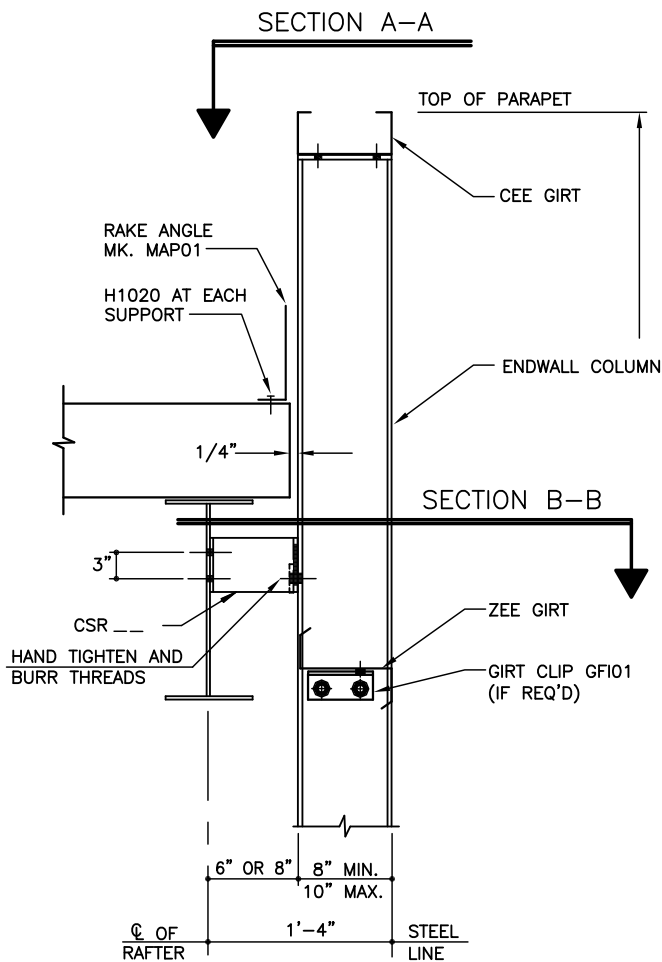
DETAIL NAME IF APPLICABLE  
**AS0090.DWG**

4.11.10

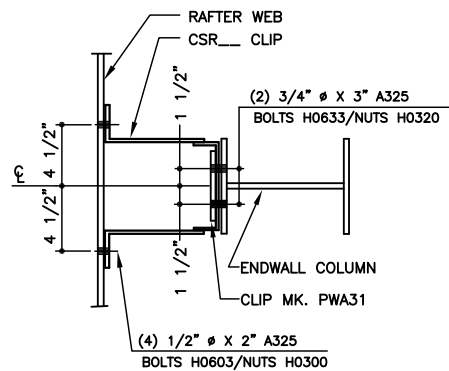


# PRODUCT & ENGINEERING MANUAL

## AS0100 – RIGID FRAME ENDWALL, FLUSH GIRTS



**SECTION A-A**  
 (4) 1/2"  $\phi$  x 1 1/4" A307  
 BOLT H0500/NUT H0400



**SECTION B-B**

### ENDWALL PARAPET STRUCTURAL

RIGID FRAME ENDWALL WITH FLUSH GIRTS  
 REFERENCE ERECTOR NOTE FOR TYPICAL WASHER REQUIREMENTS

AS0100

LAST REVISION  
 DATE: 02/16/15  
 BY: AK CHK: EGB

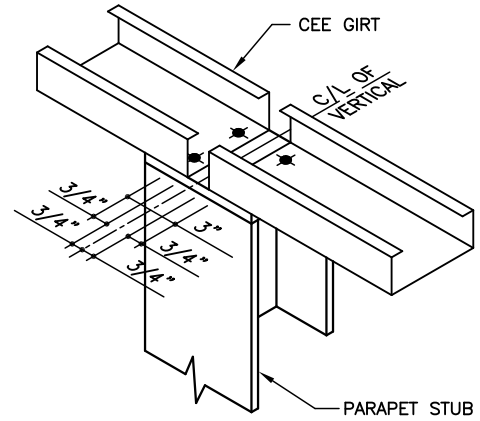
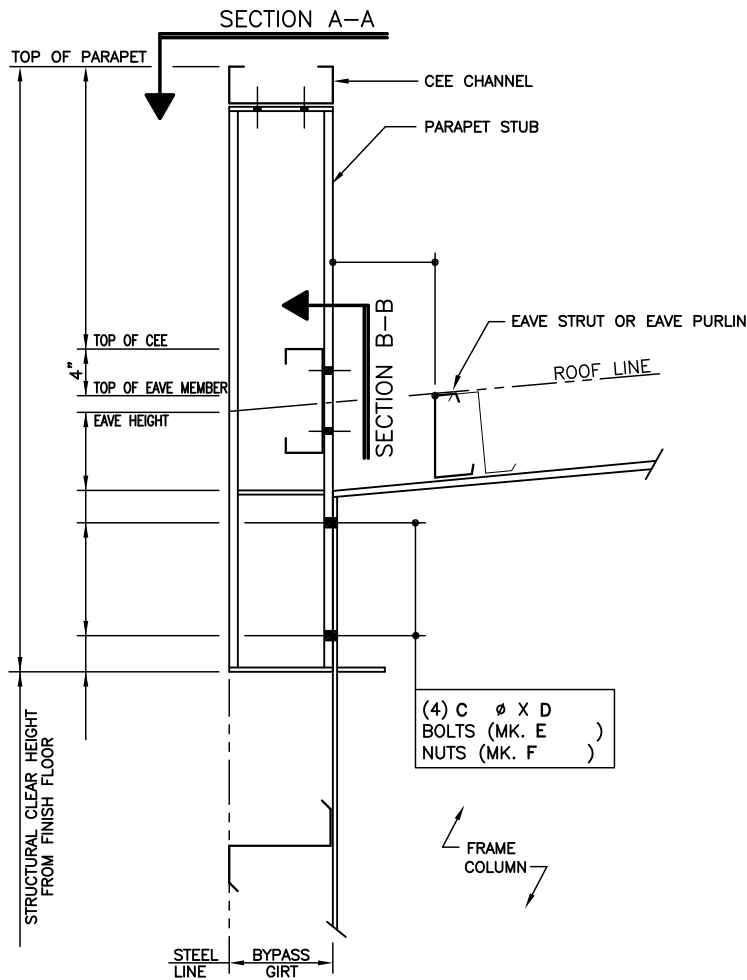
DETAIL NAME IF APPLICABLE  
**AS0100.DWG**

4.11.11

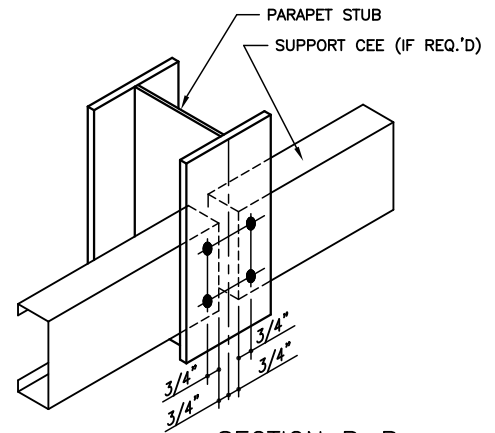


# PRODUCT & ENGINEERING MANUAL

## AS0110 – LOW EAVE, BYPASS GIRTS



SECTION A-A  
(4) 1/2"ø x 1 1/4" A307  
BOLT H0500/NUT H0400



SECTION B-B  
(4) 1/2"ø x 1 1/4" A307  
THIN HEAD BOLT H0515/NUT H0400

### LOW SIDEWALL PARAPET STRUCTURAL

INTERMEDIATE FRAMES WITH BYPASS GIRTS  
REFERENCE ERECTOR NOTE FOR TYPICAL WASHER REQUIREMENTS

AS0110

LAST REVISION  
DATE: 02/16/15  
BY: AK CHK: EGB

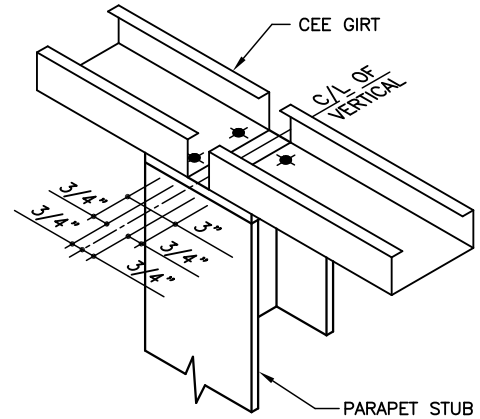
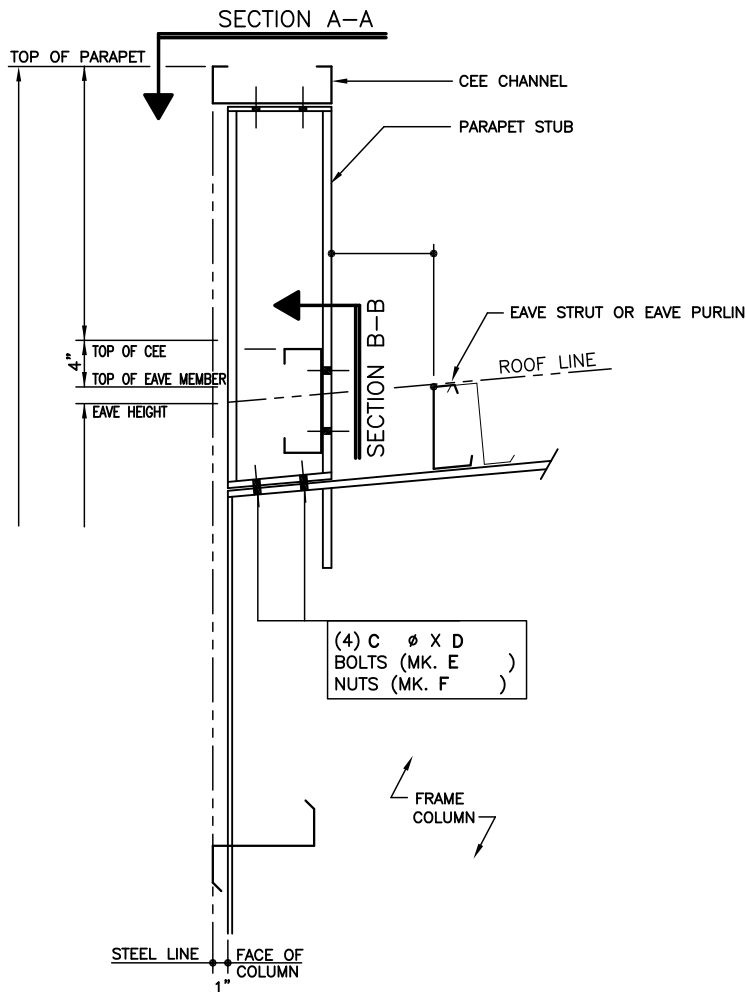
DETAIL NAME IF APPLICABLE  
**AS0110.DWG**

4.11.12

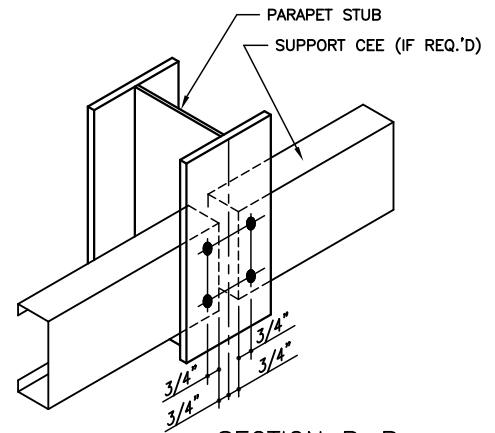


# PRODUCT & ENGINEERING MANUAL

## AS0120 – LOW EAVE, INSET GIRTS



SECTION A-A  
(4) 1/2"Ø x 1 1/4" A307  
BOLT H0500/NUT H0400



SECTION B-B  
(4) 1/2"Ø x 1 1/4" A307  
THIN HEAD BOLT H0515/NUT H0400

### LOW SIDEWALL PARAPET STRUCTURAL

INTERMEDIATE FRAMES WITH INSET GIRTS  
REFERENCE ERECTOR NOTE FOR TYPICAL WASHER REQUIREMENTS

AS0120

LAST REVISION  
DATE: 02/16/15  
BY: AK CHK: EGB

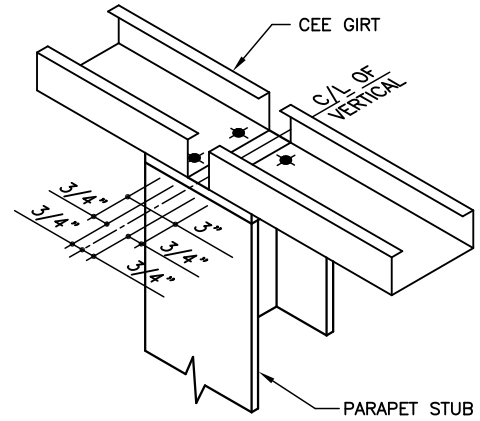
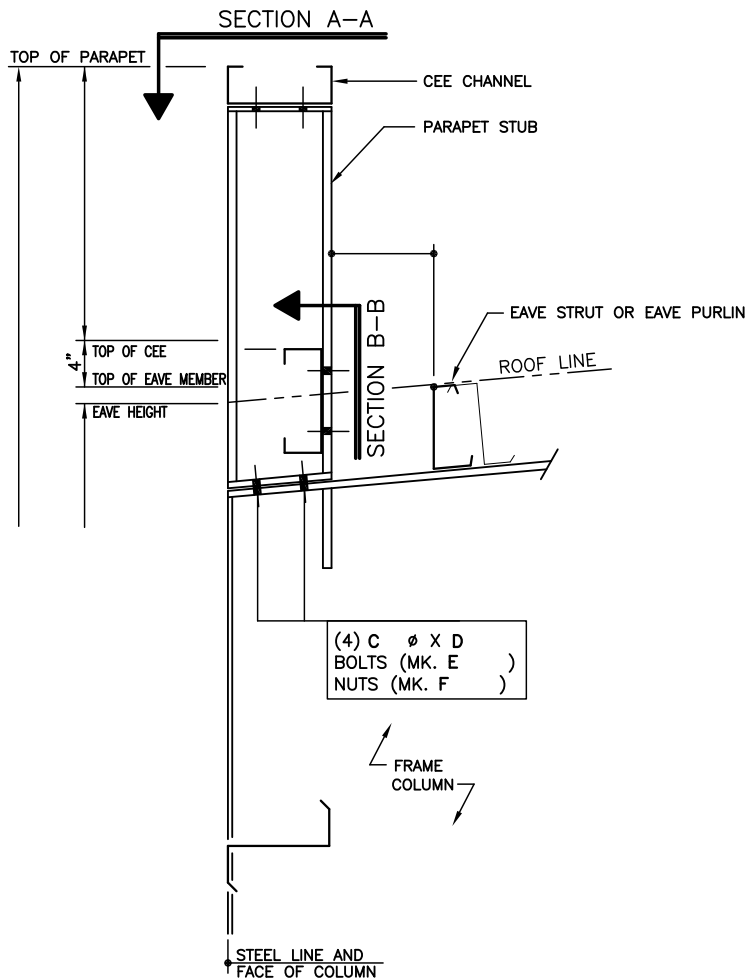
DETAIL NAME IF APPLICABLE  
**AS0120.DWG**

4.11.13

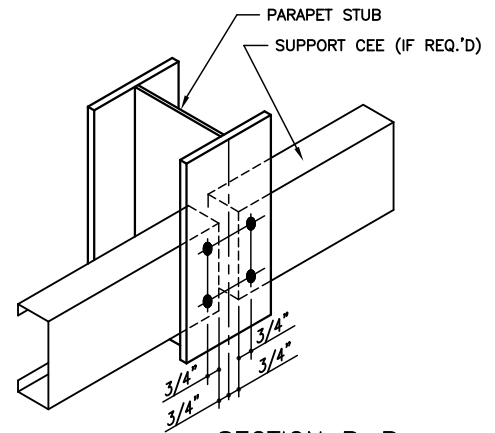


# PRODUCT & ENGINEERING MANUAL

## AS0130 – LOW EAVE, FLUSH GIRTS



SECTION A-A  
(4) 1/2"Ø x 1 1/4" A307  
BOLT H0500/NUT H0400



SECTION B-B  
(4) 1/2"Ø x 1 1/4" A307  
THIN HEAD BOLT H0515/NUT H0400

### LOW SIDEWALL PARAPET STRUCTURAL

INTERMEDIATE FRAMES WITH FLUSH GIRTS

REFERENCE ERECTOR NOTE FOR TYPICAL WASHER REQUIREMENTS

AS0130

LAST REVISION  
DATE: 10/21/09  
BY: DLC CHK: AES

DETAIL NAME IF APPLICABLE  
**AS1080.DWG**

4.11.14