



TABLE OF CONTENTS

Refer to Section 4.14 for standard Spandrel Beam Details

TABLE OF CONTENTS 1

A: SIDEWALL STRUCTURAL CONDITIONS 3

 LA0010 – Non-Parapet, Purlin Bldg., Eave Strut on top of Masonry 3

 LA0020 – Non-Parapet, Purlin Bldg., Eave Strut inside of Masonry 4

 LA0030 – Non-Parapet, Joist Bldg., Eave Strut on top of Masonry 5

 LA0040 – Non-Parapet, Joist Bldg., Eave Strut on top of Masonry 6

 LA0050 – Parapet, Purlin Bldg..... 7

 LA0060 – Parapet, Joist Bldg..... 8

B: ENDWALL STRUCTURAL CONDITIONS..... 9

 LB0010 – Non-Parapet, Purlin Bldg. 9

 LB0020PE – Non-Parapet, Joist Bldg. 10

 LB0030 – Parapet, Purlin Bldg..... 11

 LB0040 – Parapet, Joist Bldg..... 12

C: SIDEWALL SHEETING CONDITIONS 13

 LC6010 – Non-Parapet, Joist Bldg., CFR by NBS, Eave Strut on top of Masonry
..... 13

 LC6020 – Non-Parapet, Purlin Bldg., CFR by NBS, Eave Strut inside of Masonry
..... 14

 LC1030 – Non-Parapet, Purlin Bldg., Roof not by NBS, Eave Strut on top of
Masonry..... 15

 LC1040 – Non-Parapet, Purlin Bldg., Roof not by NBS, Eave Strut on top of
Masonry..... 16

 LC6050 – Parapet, Purlin Bldg., CFR by NBS 17

 LC1060 – Parapet, Purlin Bldg., Roof not by NBS 18

 LC6070 – Parapet, Joist Bldg., CFR by NBS 19

 LC1080 – Parapet, Joist Bldg., Roof not by NBS 20

D: ENDWALL SHEETING CONDITIONS 21

 LD6010 – Non-Parapet, Purlin Bldg., CFR by NBS..... 21

 LD6020 – Non-Parapet, Joist Bldg., CFR by NBS..... 22

 LD1030 – Non-Parapet, Purlin Bldg., Roof not by NBS..... 23

 LD1040PE – Non-Parapet, Joist Bldg., Roof not by NBS..... 24

 LD6050 – Parapet, Purlin Bldg., CFR by NBS 25

 LD6060 – Parapet, Joist Bldg., CFR by NBS 26

 LD1070 – Parapet, Purlin Bldg., Roof not by NBS 27



LD1080 – Parapet, Joist Bldg., Roof not by NBS 28

E. SPANDREL BEAM CONNECTION DETAILS 29

LE0010 – Spandrel Beam to Column Connection 29

LE0020 – Spandrel Beam to Wall Connection (With Expansion Anchors) 30

LE0030 – Spandrel Beam to Wall Connection (Welded to Embedded Plate)..... 31

LE0040 – Spandrel Joist to Column Connection 32

LE0050 – Spandrel Joist to Wall Connection (Welded to Embedded Plate)..... 33

F: SPANDREL GIRT ATTACHMENT DETAILS..... 34

LF0010 – Partial Height Masonry (Hot-Rolled Cee Girt on top of Wall)..... 34

G: SHEAR WALL DETAILS..... 35

LG0010 – Partial Height Masonry (Cold-Formed Cee Girt on top of Wall) 35

LG0020 – Partial Height Masonry (Cold-Formed Zee Girt on top of Wall)..... 36

Refer to Section 4.14 for standard Spandrel Beam Details

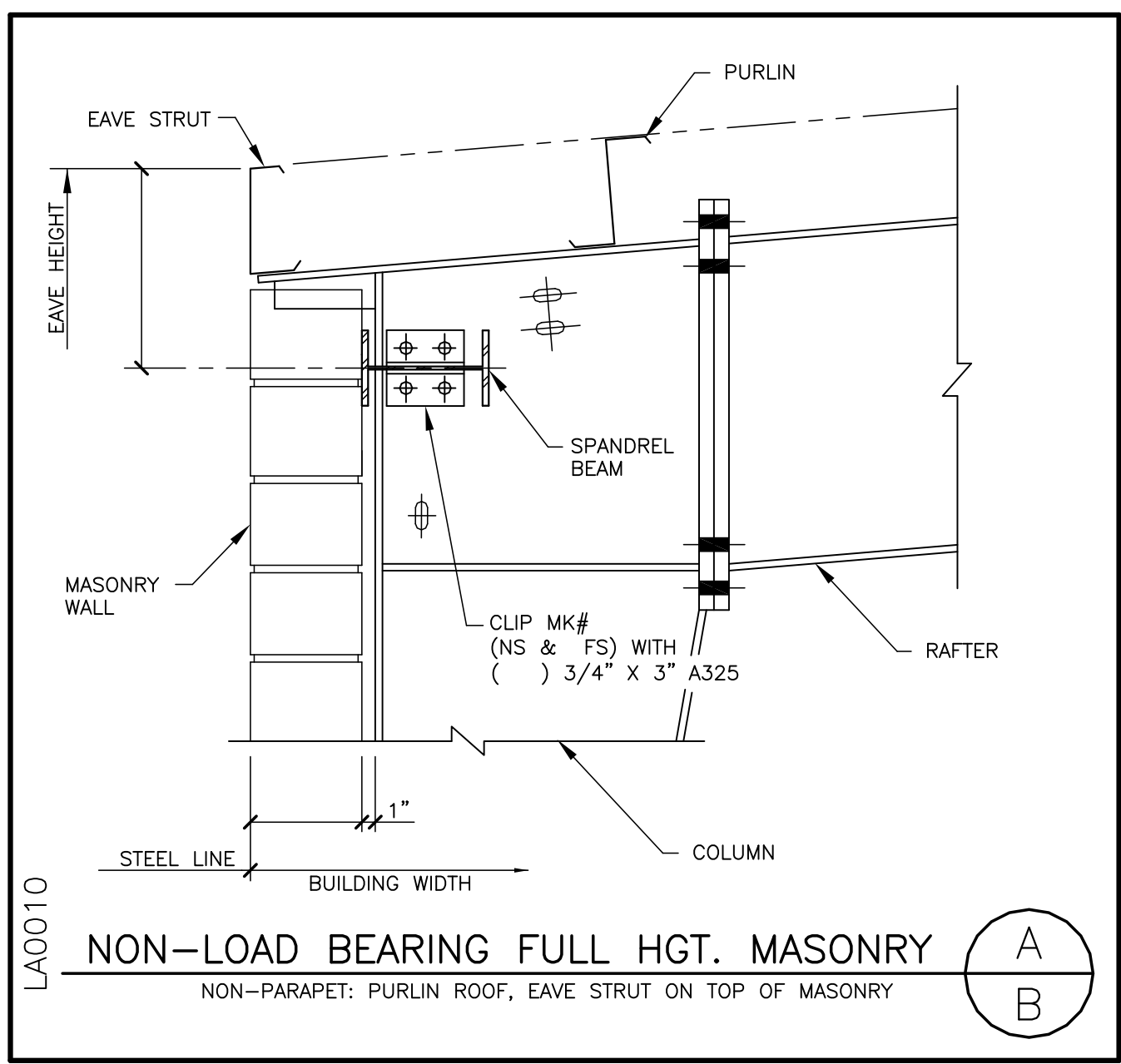


PRODUCT AND ENGINEERING MANUAL

4.10 NON-LOAD BEARING MASONRY WALL

A: SIDEWALL STRUCTURAL CONDITIONS

LA0010 – NON-PARAPET, PURLIN BLDG., EAVE STRUT ON TOP OF MASONRY

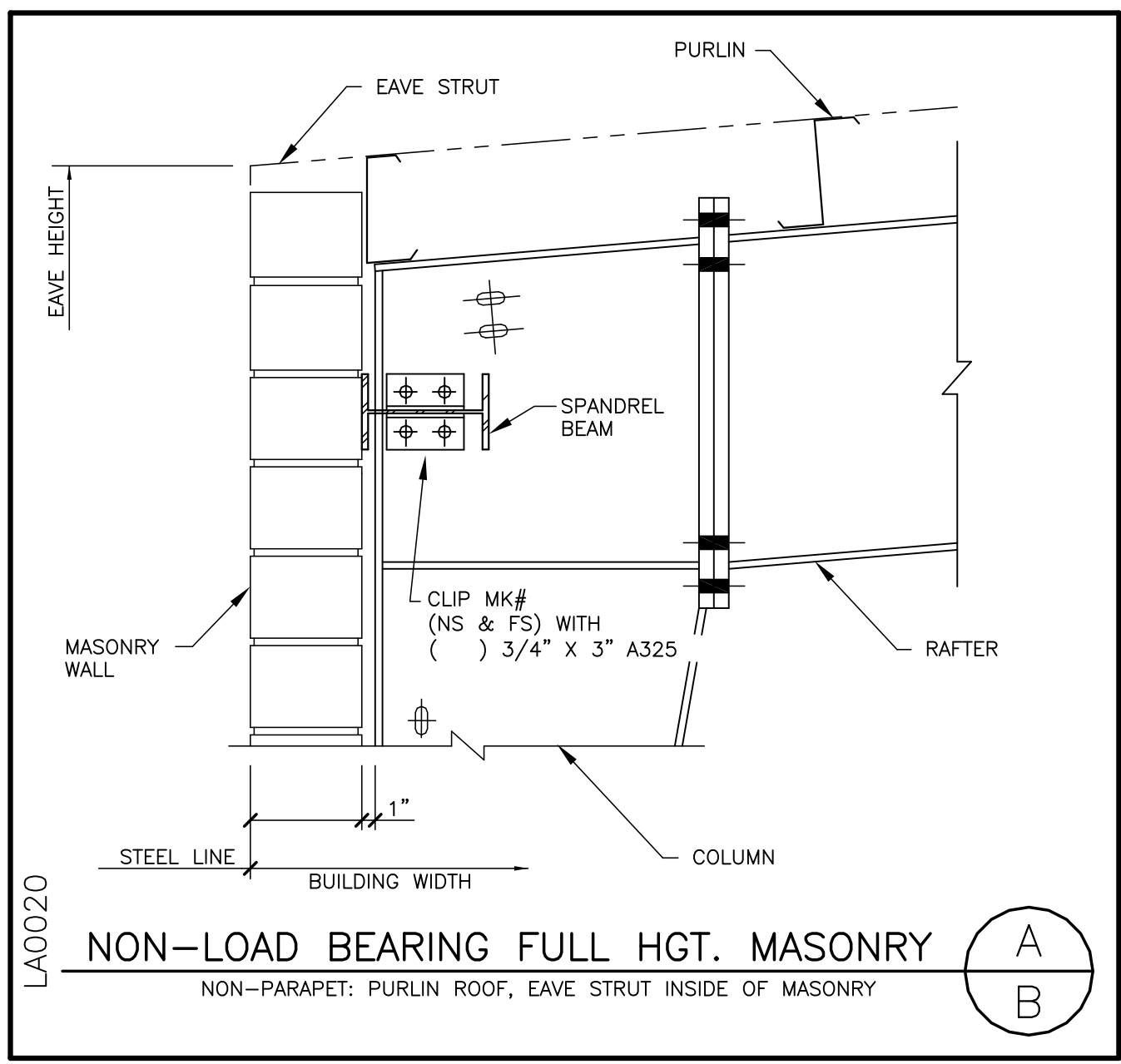


LAST REVISION
 DATE: 02/14/12
 BY: DLF CHK: EGB

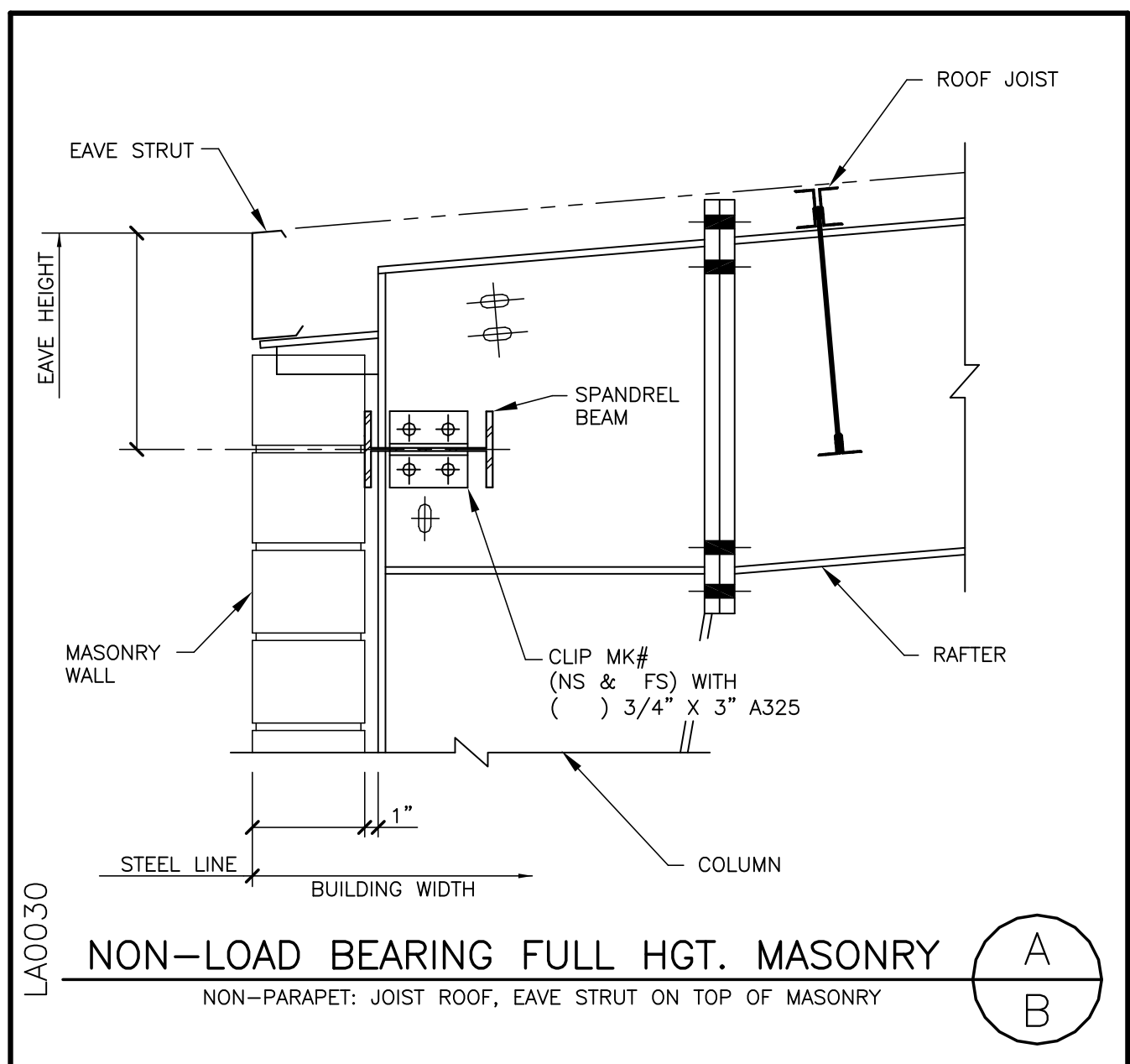
DETAIL NAME IF APPLICABLE
LA0010.DWG

4.10.3

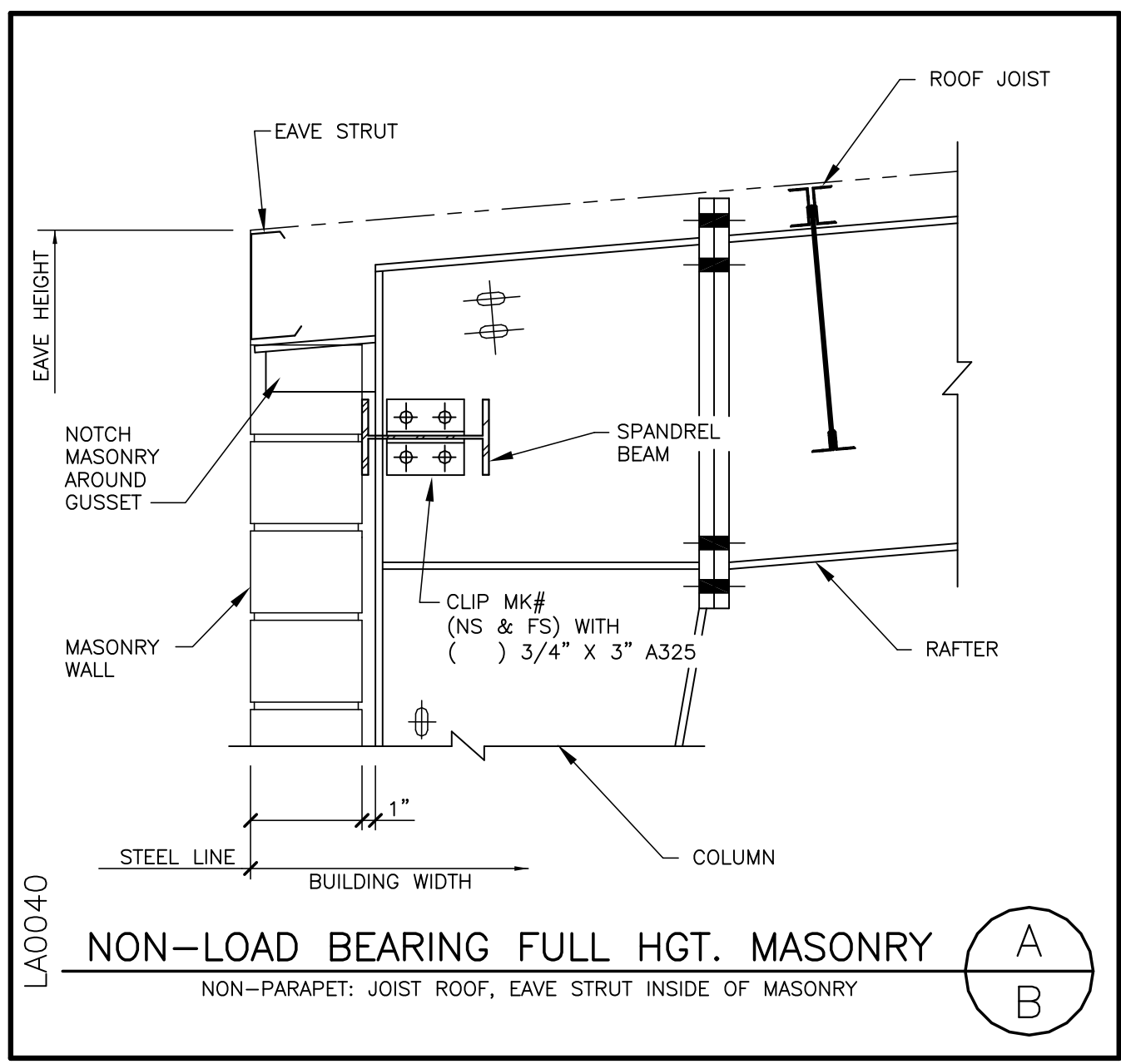
LA0020 – NON-PARAPET, PURLIN BLDG., EAVE STRUT INSIDE OF MASONRY



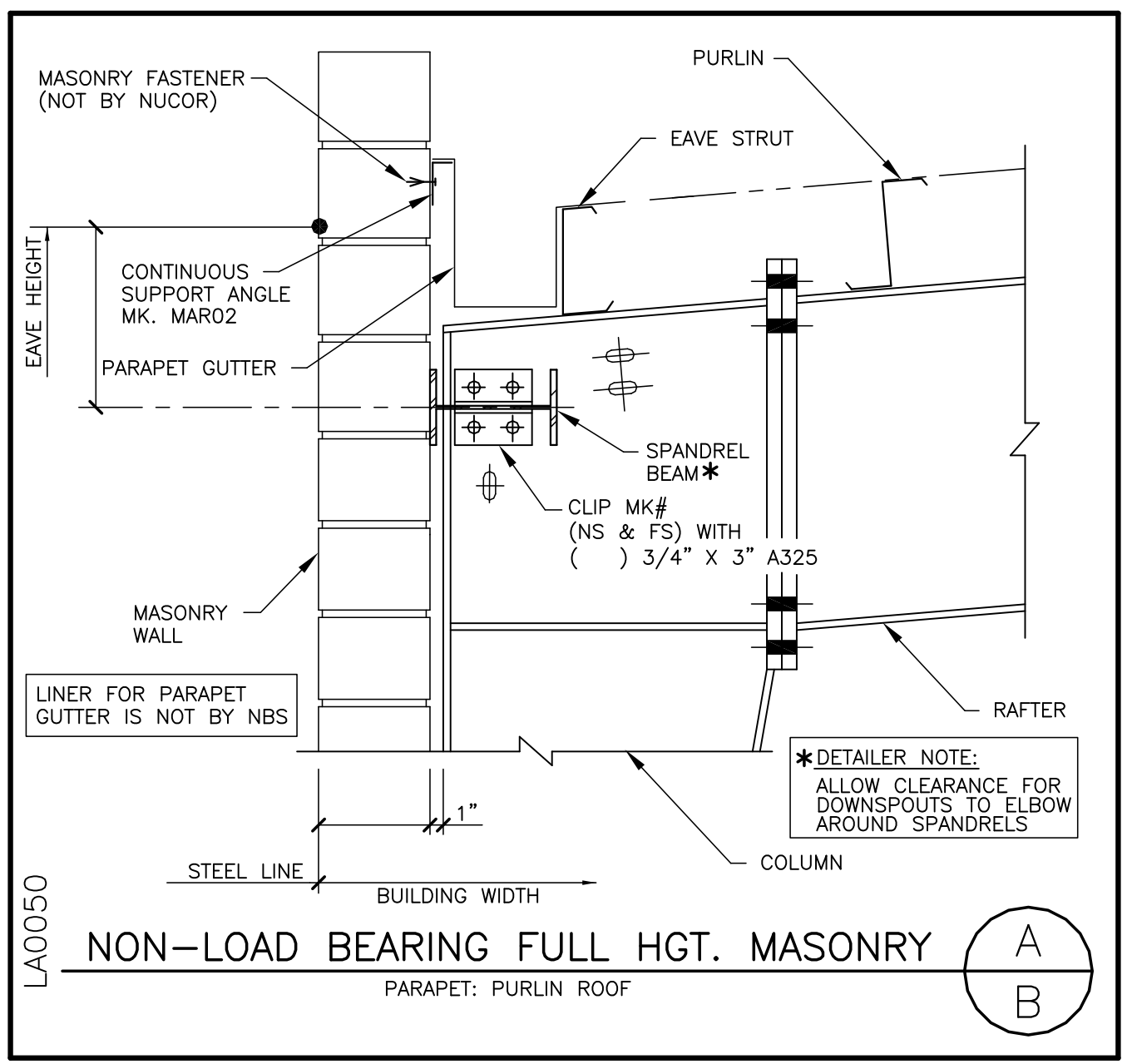
LA0030 – NON-PARAPET, JOIST BLDG., EAVE STRUT ON TOP OF MASONRY



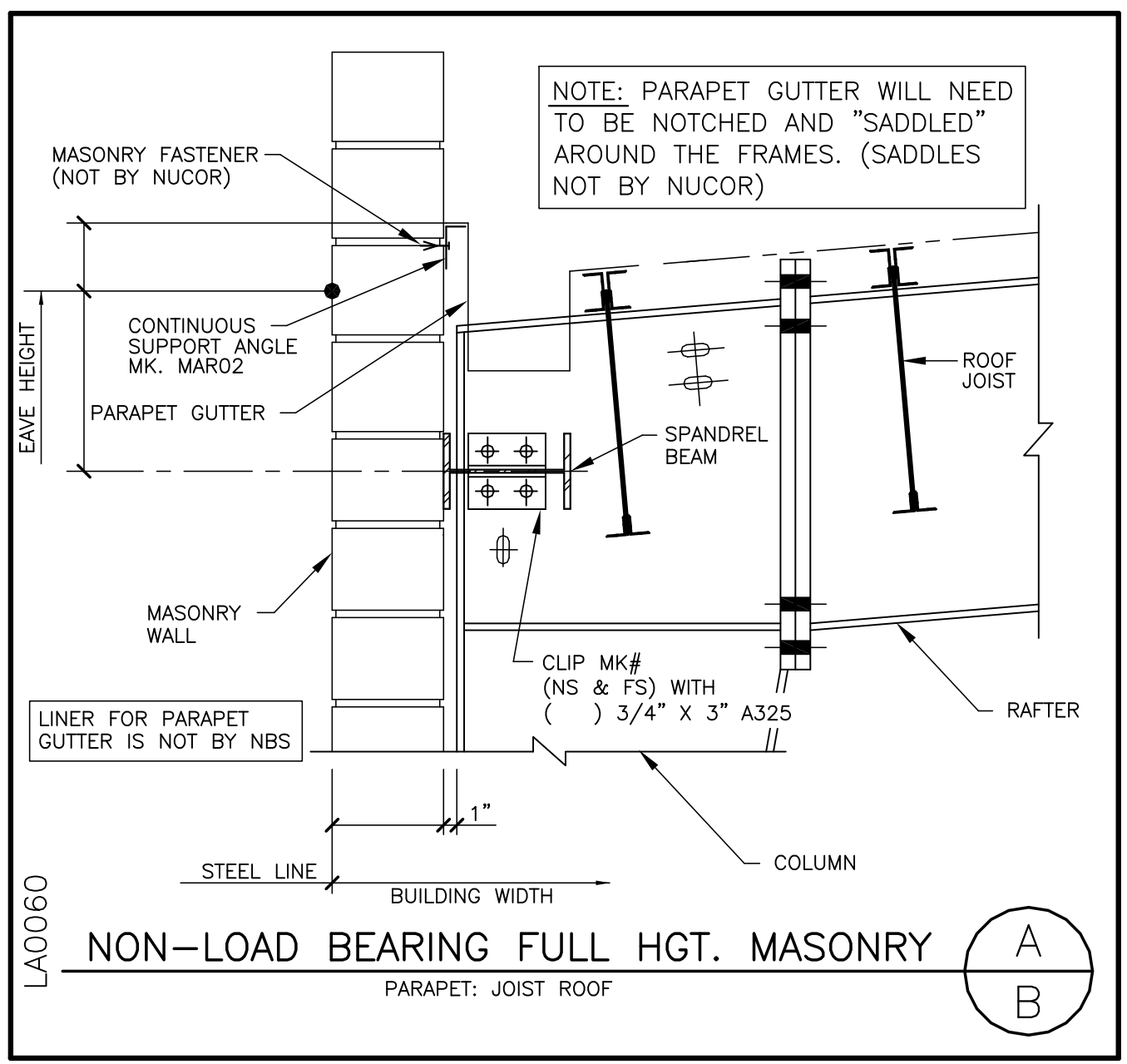
LA0040 – NON-PARAPET, JOIST BLDG., EAVE STRUT ON TOP OF MASONRY



LA0050 – PARAPET, PURLIN BLDG.

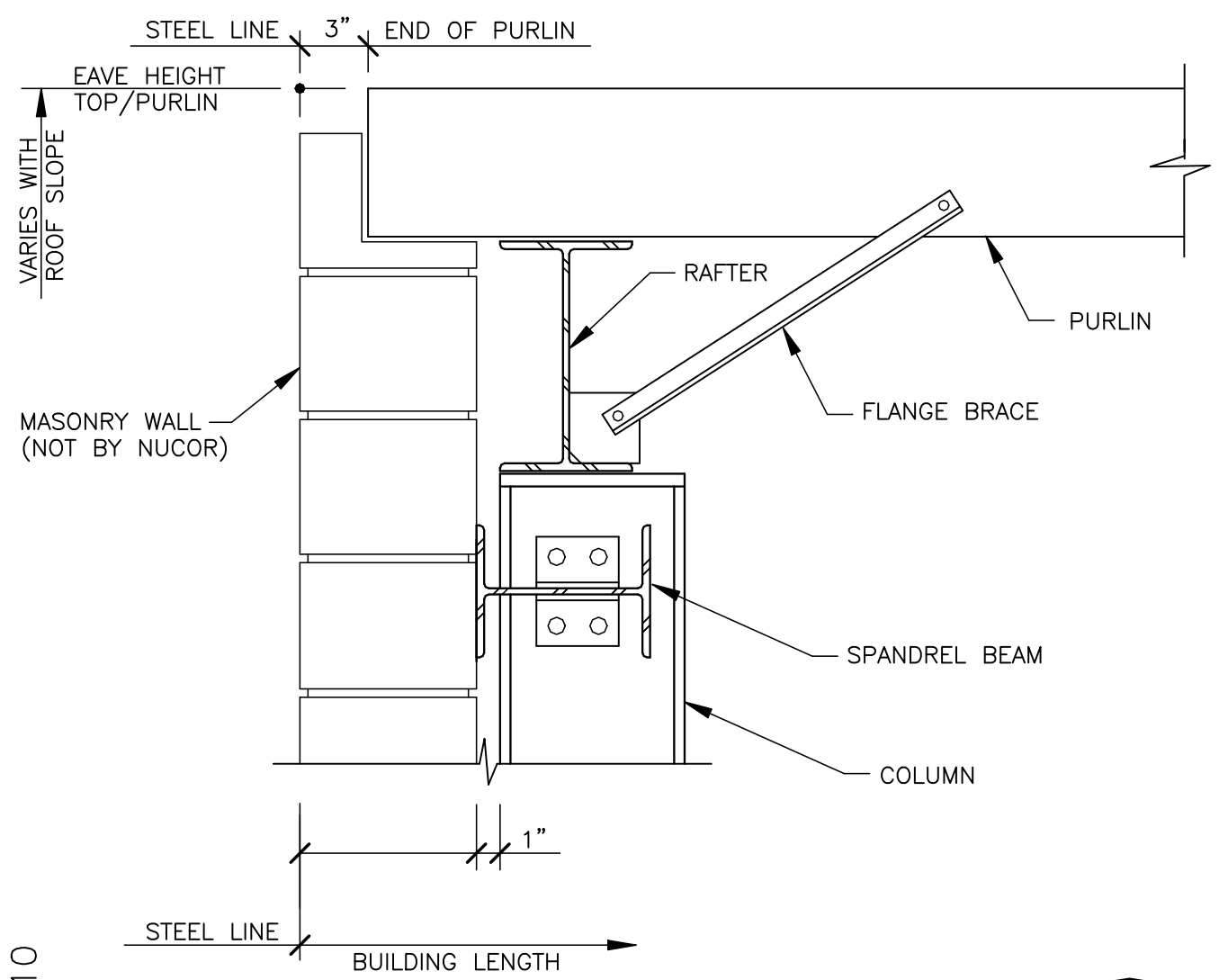


LA0060 – PARAPET, JOIST BLDG.



B: ENDWALL STRUCTURAL CONDITIONS

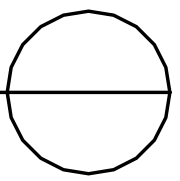
LB0010 – NON-PARAPET, PURLIN BLDG.



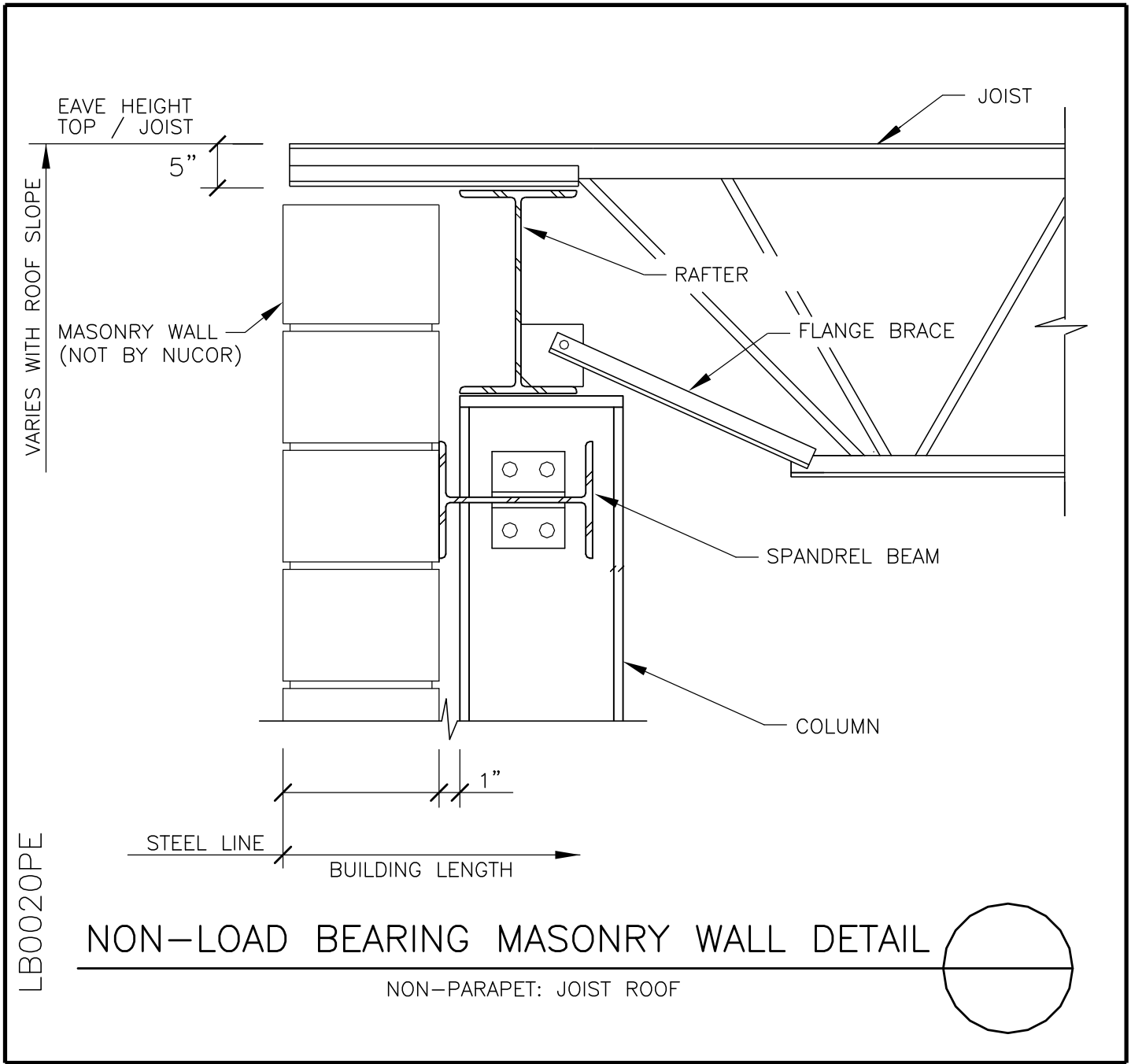
LB0010

NON-LOAD BEARING MASONRY WALL DETAIL

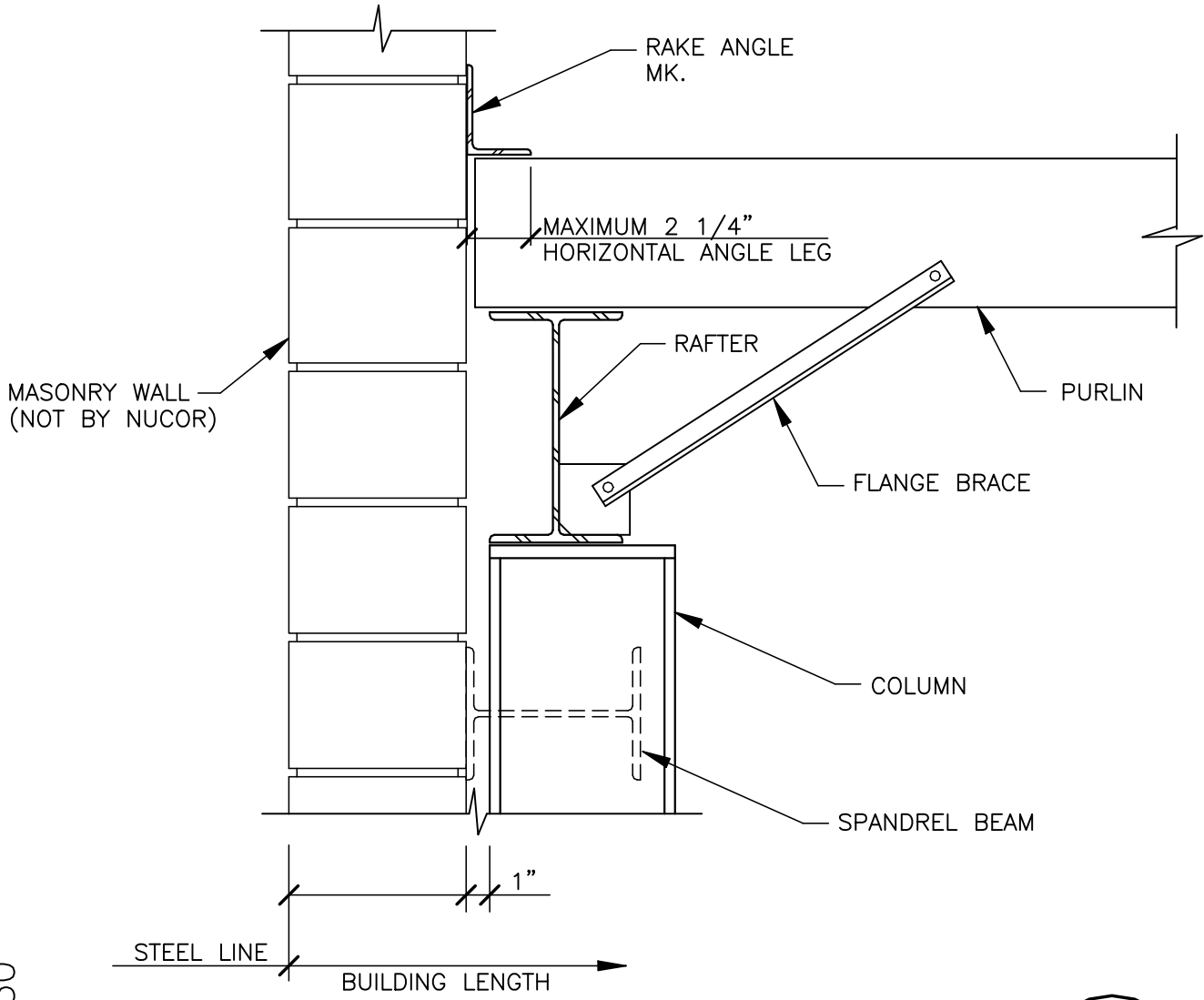
NON-PARAPET: PURLIN ROOF



LB0020PE – NON-PARAPET, JOIST BLDG.



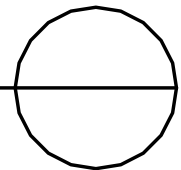
LB0030 – PARAPET, PURLIN BLDG.



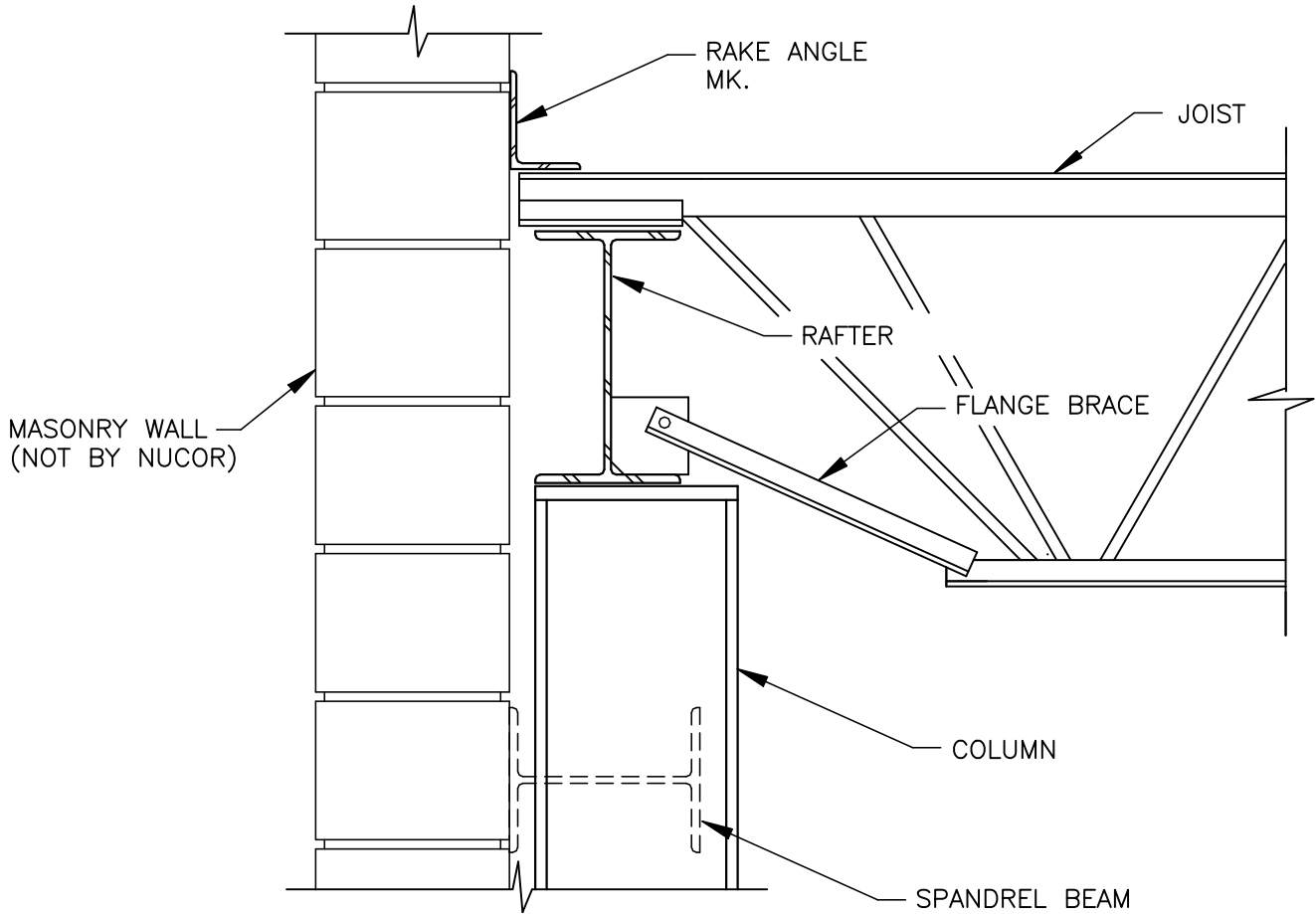
LB0030

NON-LOAD BEARING MASONRY WALL DETAIL

PARAPET: PURLIN ROOF



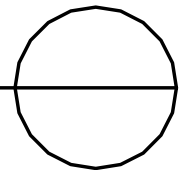
LB0040 – PARAPET, JOIST BLDG.



LB0040

STEEL LINE BUILDING LENGTH
NON-LOAD BEARING MASONRY WALL DETAIL

PARAPET: JOIST ROOF



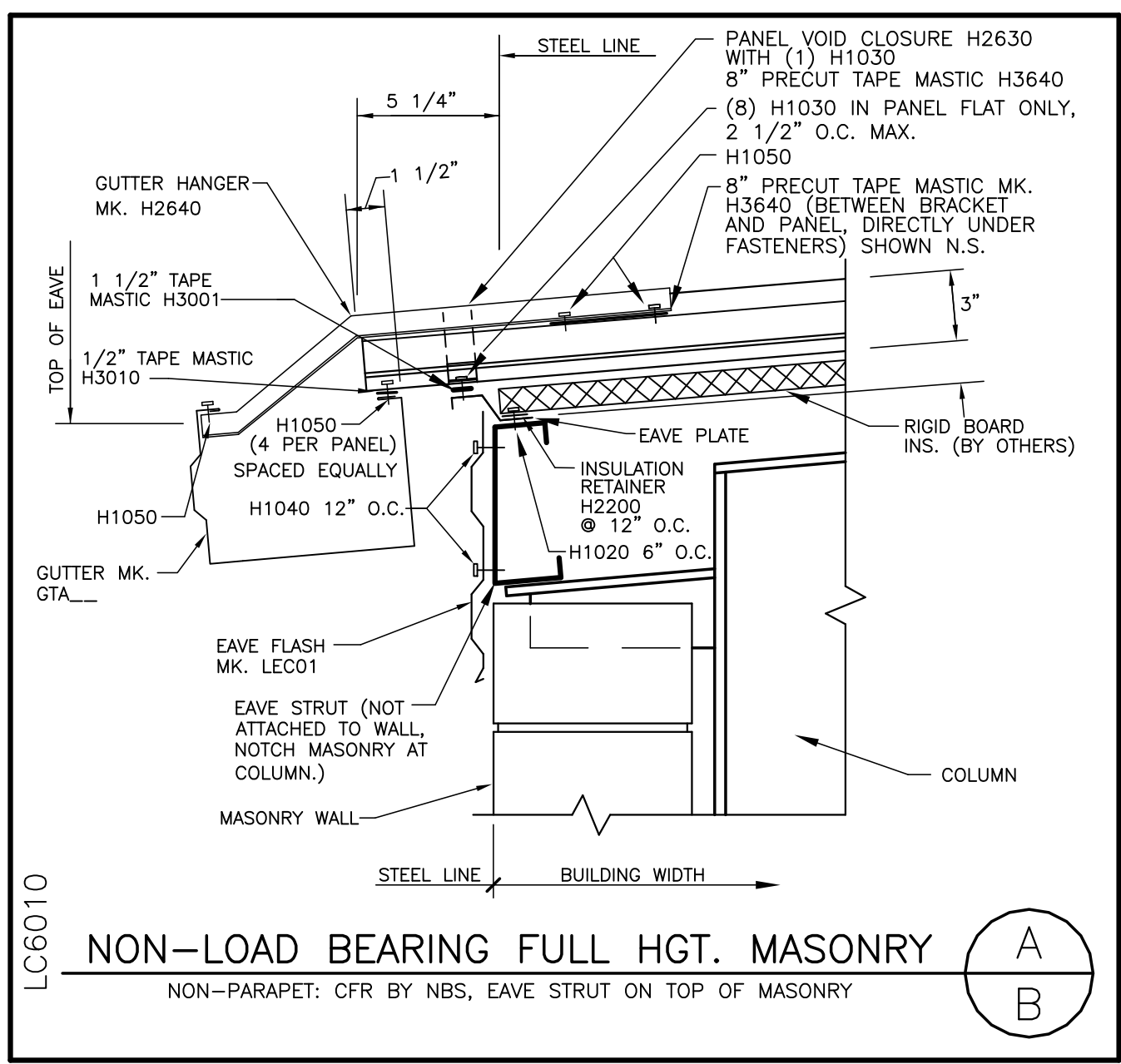


PRODUCT AND ENGINEERING MANUAL

4.10 NON-LOAD BEARING MASONRY WALL

C: SIDEWALL SHEETING CONDITIONS

LC6010 – NON-PARAPET, JOIST BLDG., CFR BY NBS, EAVE STRUT ON TOP OF MASONRY



LAST REVISION
 DATE: 08/01/12
 BY: DLF CHK: EGB

DETAIL NAME IF APPLICABLE
LC6010.DWG

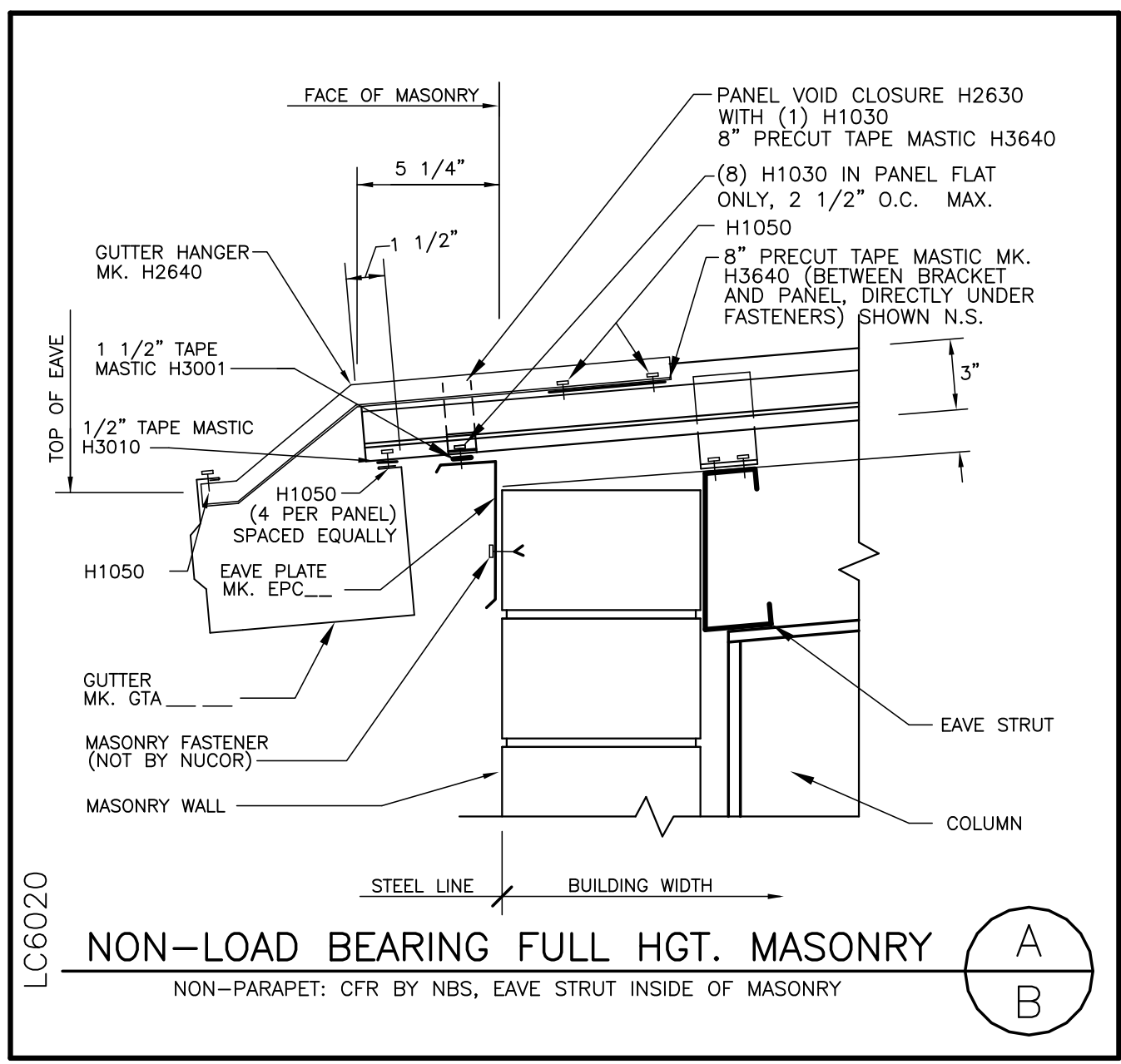
4.10.13



PRODUCT AND ENGINEERING MANUAL

4.10 NON-LOAD BEARING MASONRY WALL

LC6020 – NON-PARAPET, PURLIN BLDG., CFR BY NBS, EAVE STRUT INSIDE OF MASONRY



LAST REVISION
 DATE: 08/01/121
 BY: DLF CHK: EGB

DETAIL NAME IF APPLICABLE
 LC6020.DWG

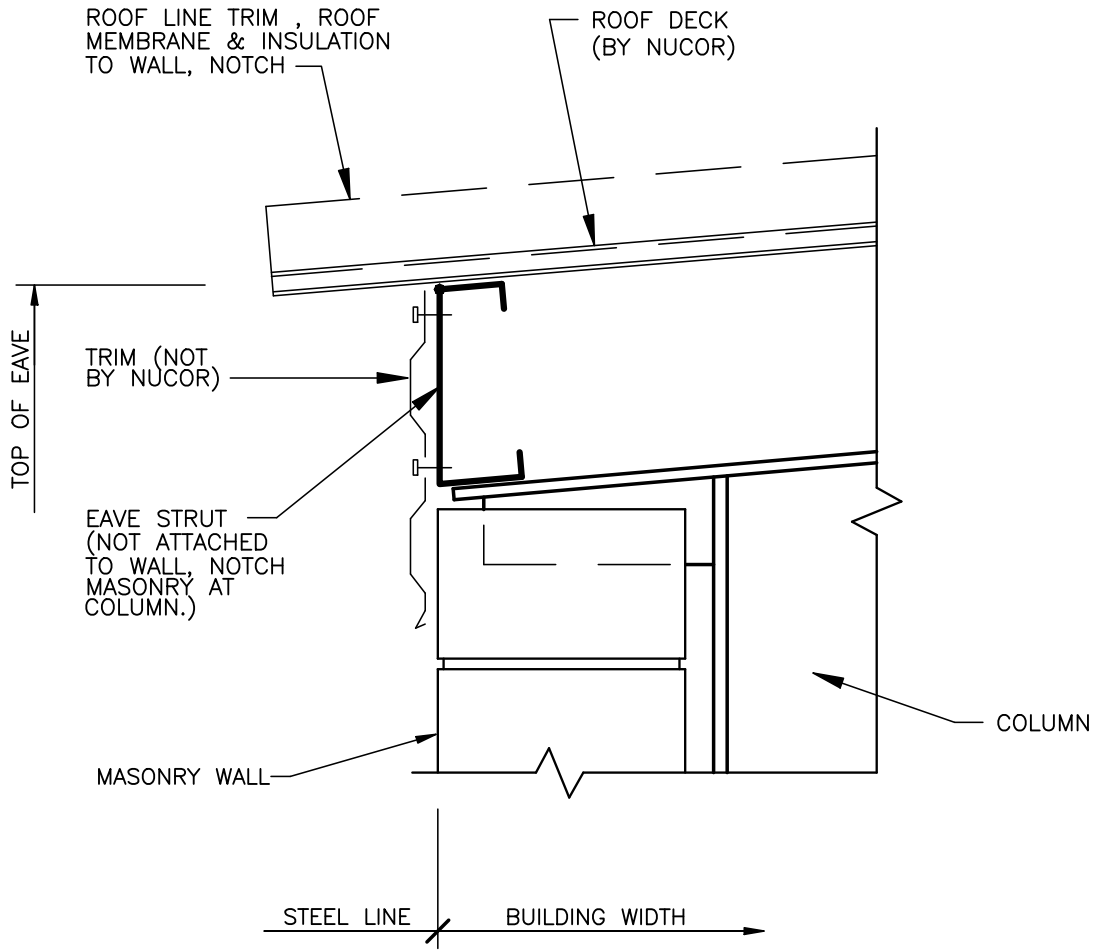
4.10.14



PRODUCT AND ENGINEERING MANUAL

4.10 NON-LOAD BEARING MASONRY WALL

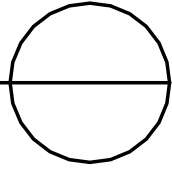
LC1030 – NON-PARAPET, PURLIN BLDG., ROOF NOT BY NBS, EAVE STRUT ON TOP OF MASONRY



LC1030

NON-LOAD BEARING FULL HGT. MASONRY

NON-PARAPET: ROOF NOT BY NBS, EAVE STRUT ON TOP OF MASONRY



LAST REVISION
 DATE: 02/09/01
 BY: CDM CHK: RJF

DETAIL NAME IF APPLICABLE
LC1030.DWG

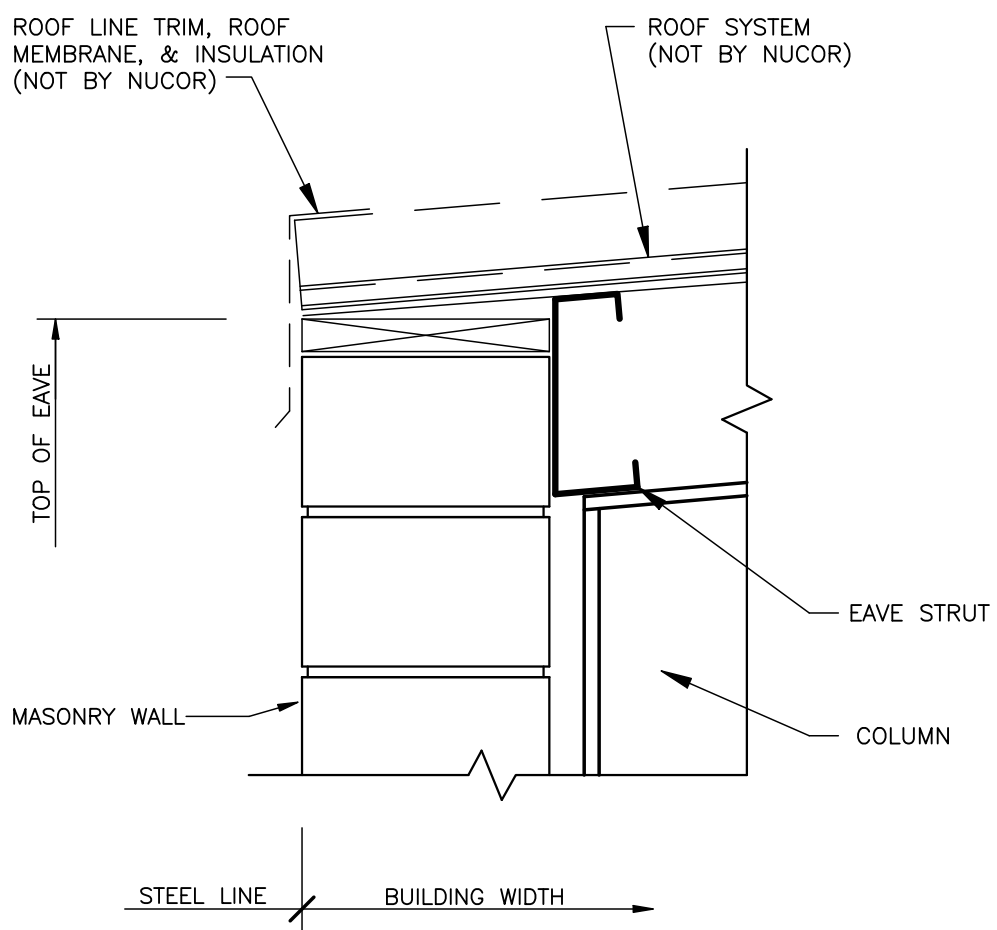
4.10.15



PRODUCT AND ENGINEERING MANUAL

4.10 NON-LOAD BEARING MASONRY WALL

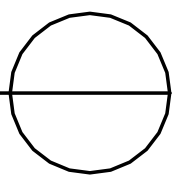
LC1040 – NON-PARAPET, PURLIN BLDG., ROOF NOT BY NBS, EAVE STRUT ON TOP OF MASONRY



LC1040

NON-LOAD BEARING FULL HGT. MASONRY

NON-PARAPET: ROOF NOT BY NBS, EAVE STRUT INSIDE OF MASONRY

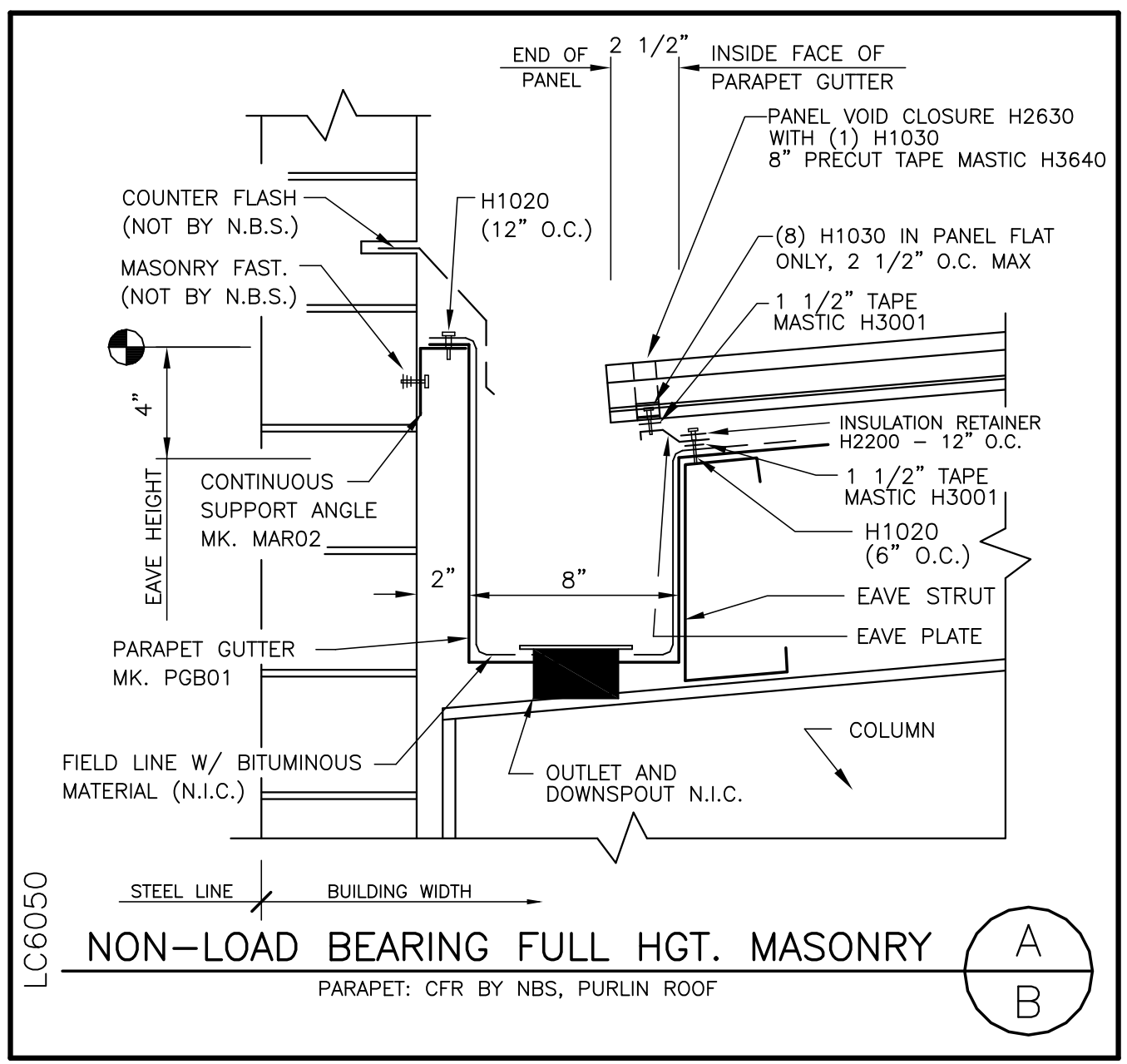


LAST REVISION
 DATE: 02/09/01
 BY: CDM CHK: RJF

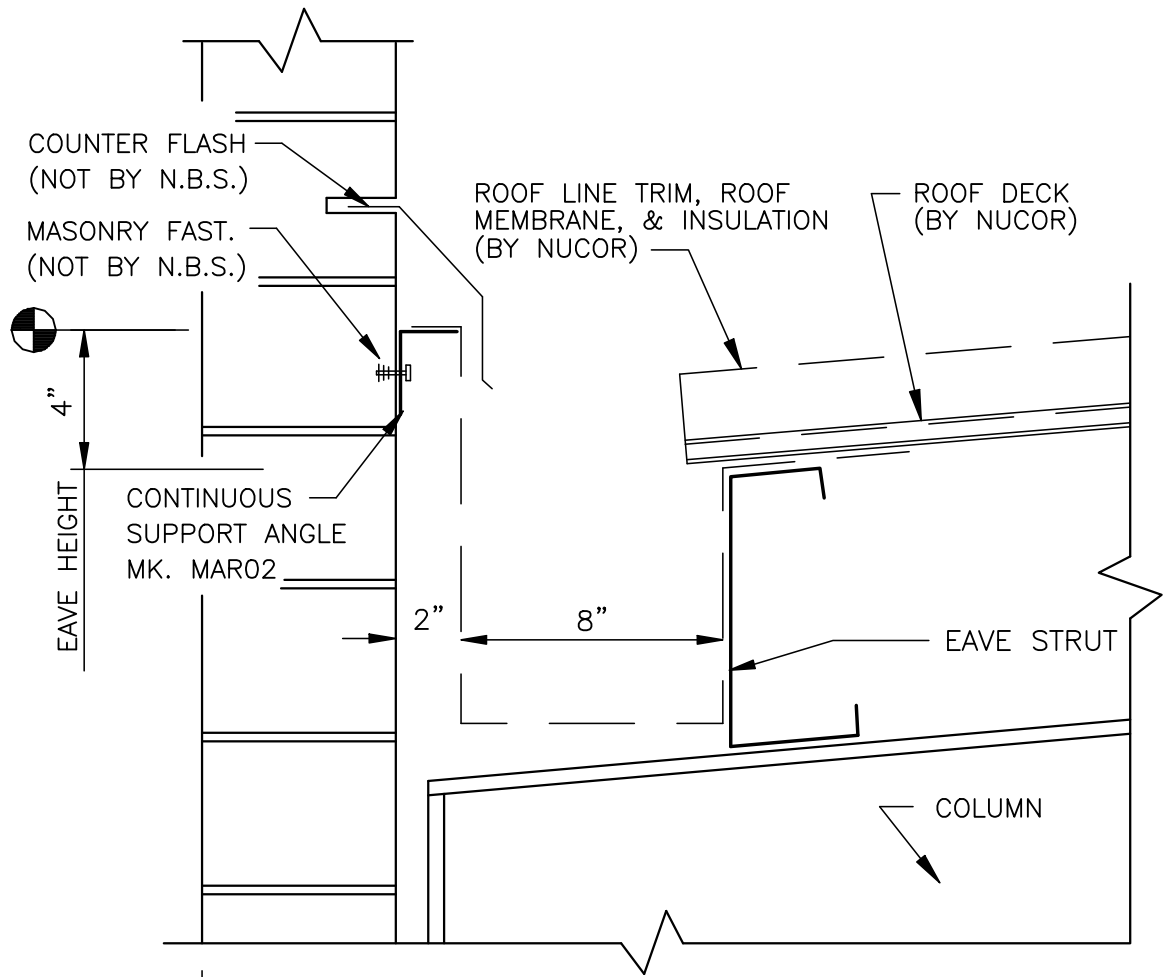
DETAIL NAME IF APPLICABLE
LC1040.DWG

4.10.16

LC6050 – PARAPET, PURLIN BLDG., CFR BY NBS



LC1060 – PARAPET, PURLIN BLDG., ROOF NOT BY NBS

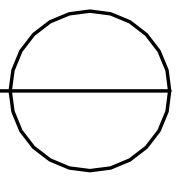


LC1060

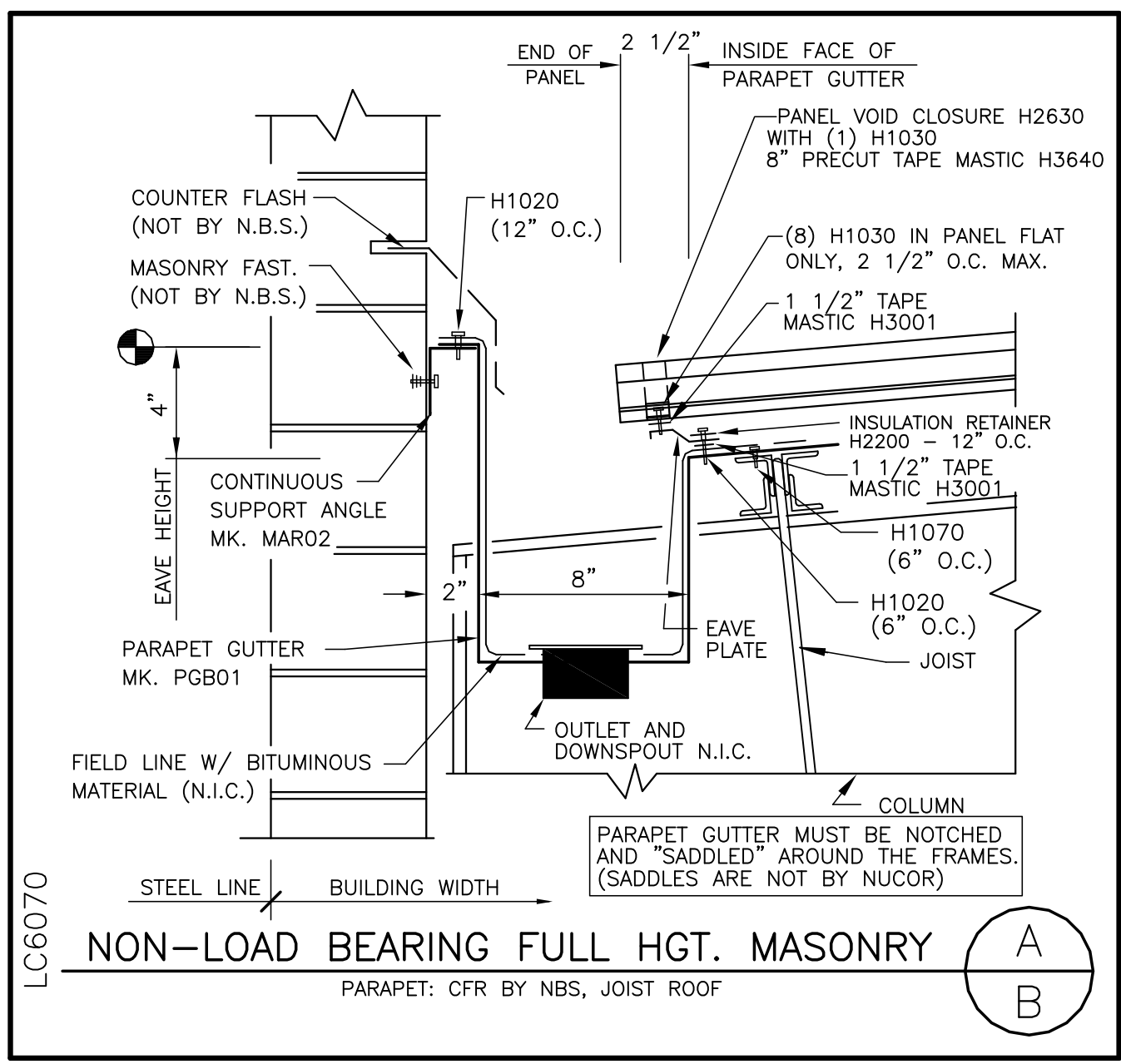
STEEL LINE BUILDING WIDTH

NON-LOAD BEARING FULL HGT. MASONRY

PARAPET: ROOF NOT BY NBS, PURLIN ROOF



LC6070 – PARAPET, JOIST BLDG., CFR BY NBS

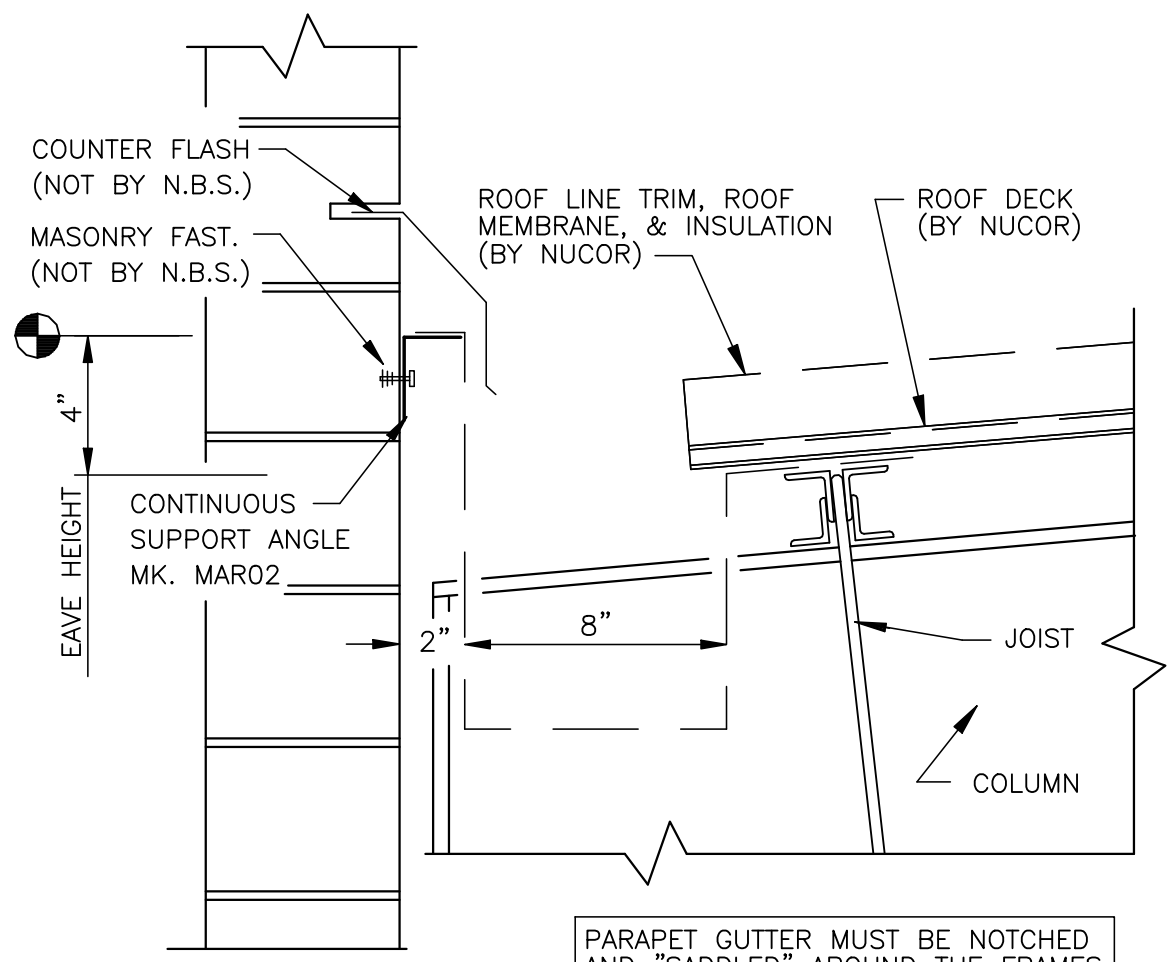




PRODUCT AND ENGINEERING MANUAL

4.10 NON-LOAD BEARING MASONRY WALL

LC1080 – PARAPET, JOIST BLDG., ROOF NOT BY NBS



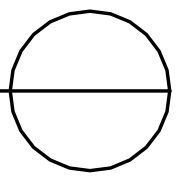
PARAPET GUTTER MUST BE NOTCHED AND "SADDLED" AROUND THE FRAMES. (SADDLES ARE NOT BY NUCOR)

LC1080

STEEL LINE BUILDING WIDTH

NON-LOAD BEARING FULL HGT. MASONRY

PARAPET: ROOF NOT BY NBS, JOIST ROOF



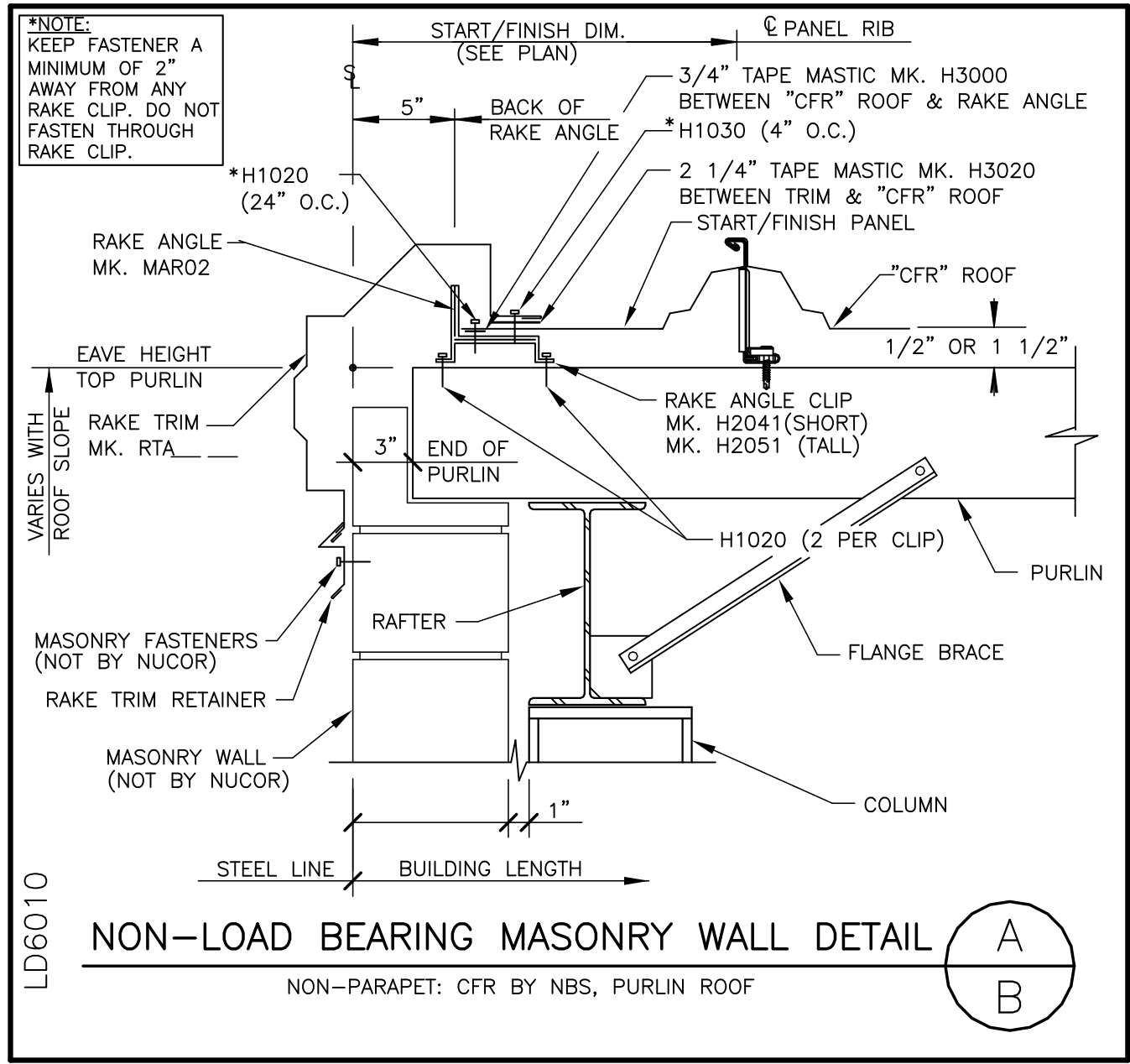
LAST REVISION
 DATE: 02/09/01
 BY: CDM CHK: RJF

DETAIL NAME IF APPLICABLE
LC1080.DWG

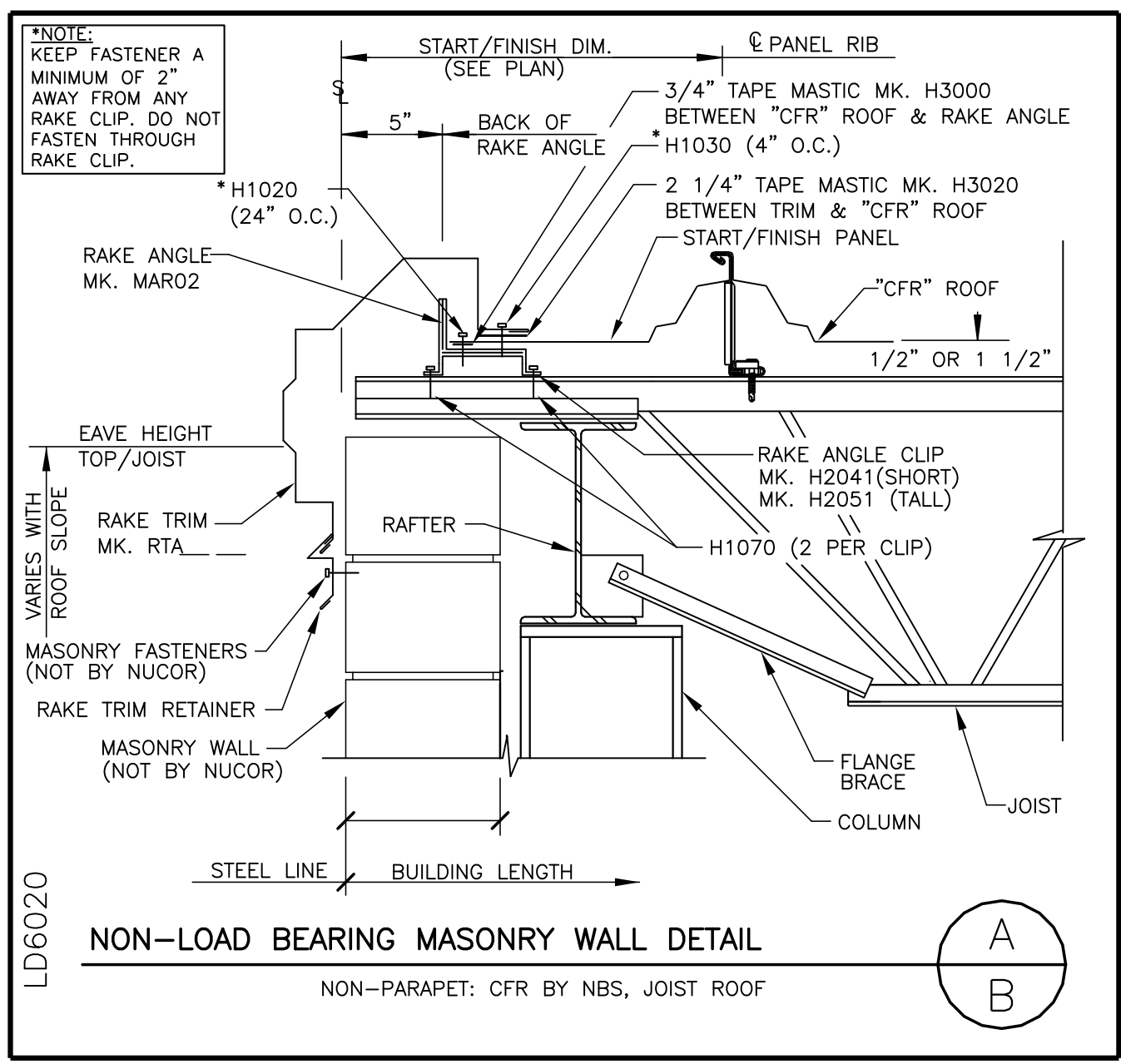
4.10.20

D: ENDWALL SHEETING CONDITIONS

LD6010 – NON-PARAPET, PURLIN BLDG., CFR BY NBS



LD6020 – NON-PARAPET, JOIST BLDG., CFR BY NBS

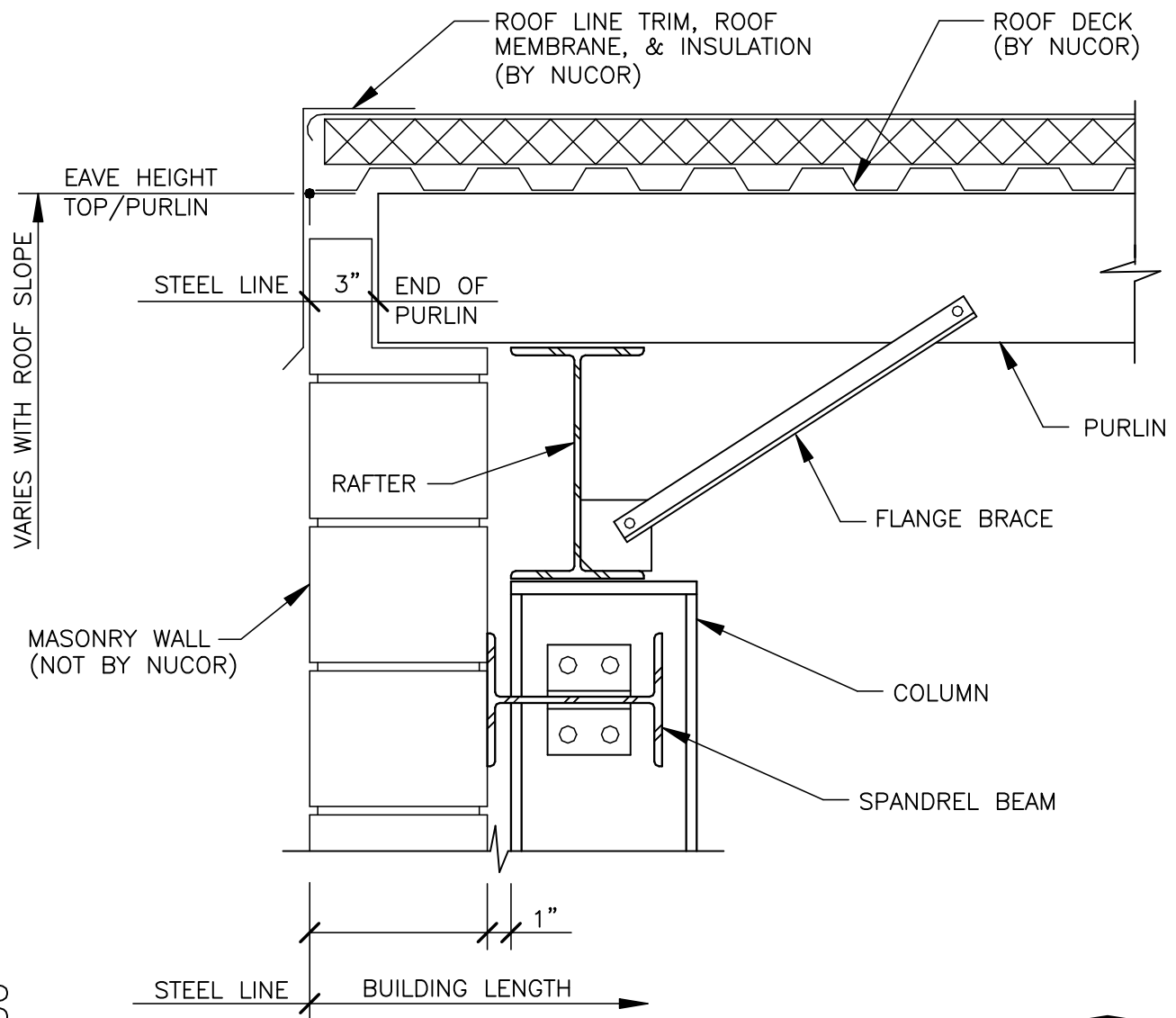




PRODUCT AND ENGINEERING MANUAL

4.10 NON-LOAD BEARING MASONRY WALL

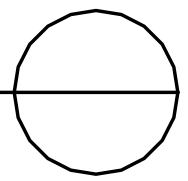
LD1030 – NON-PARAPET, PURLIN BLDG., ROOF NOT BY NBS



LD1030

NON-LOAD BEARING MASONRY WALL DETAIL

NON-PARAPET: ROOF NOT BY NBS, PURLIN ROOF



LAST REVISION
 DATE: 02/09/01
 BY: CDM CHK: RJF

DETAIL NAME IF APPLICABLE
 LD1030.DWG

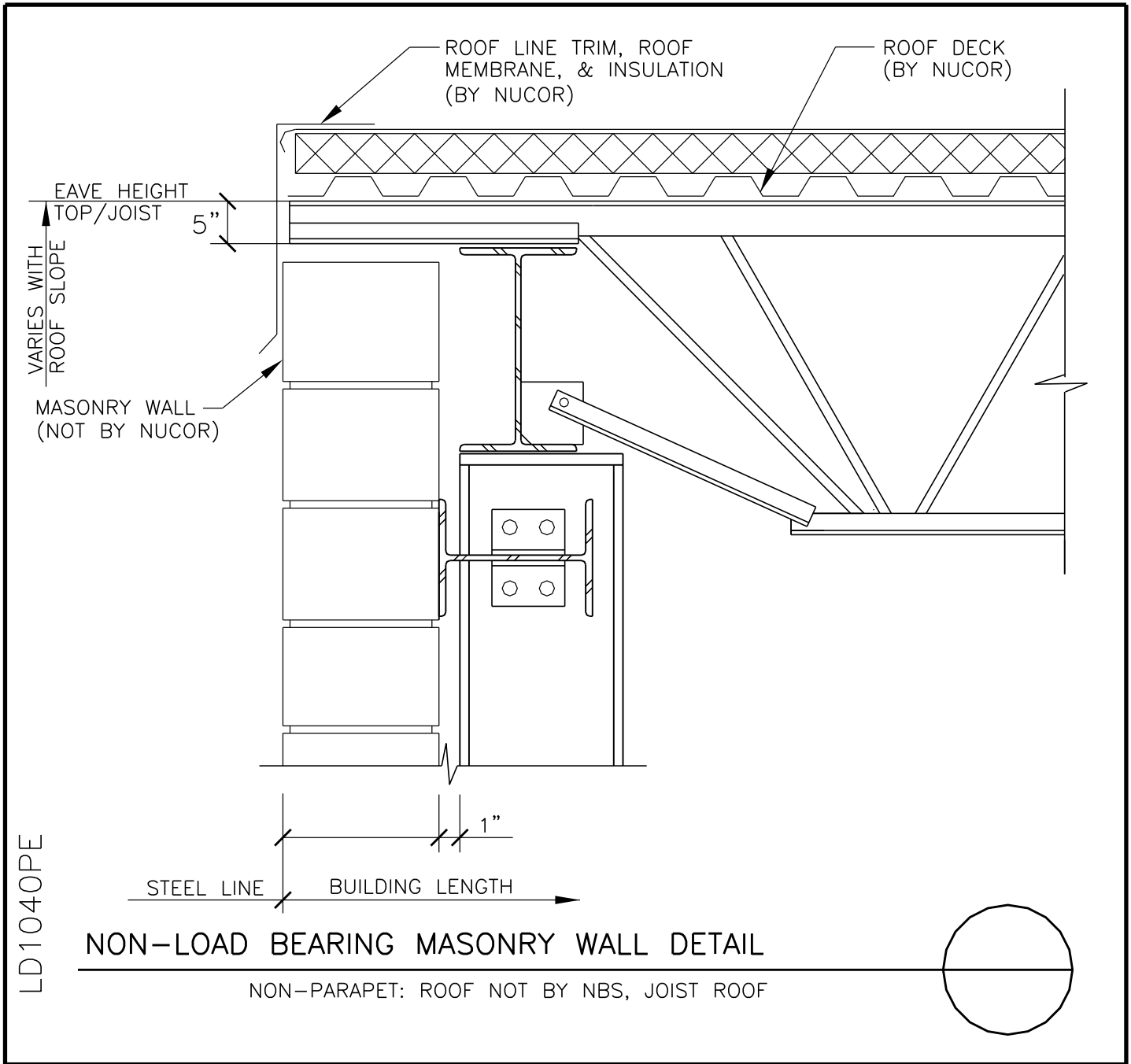
4.10.23



PRODUCT AND ENGINEERING MANUAL

4.10 NON-LOAD BEARING MASONRY WALL

LD1040PE – NON-PARAPET, JOIST BLDG., ROOF NOT BY NBS

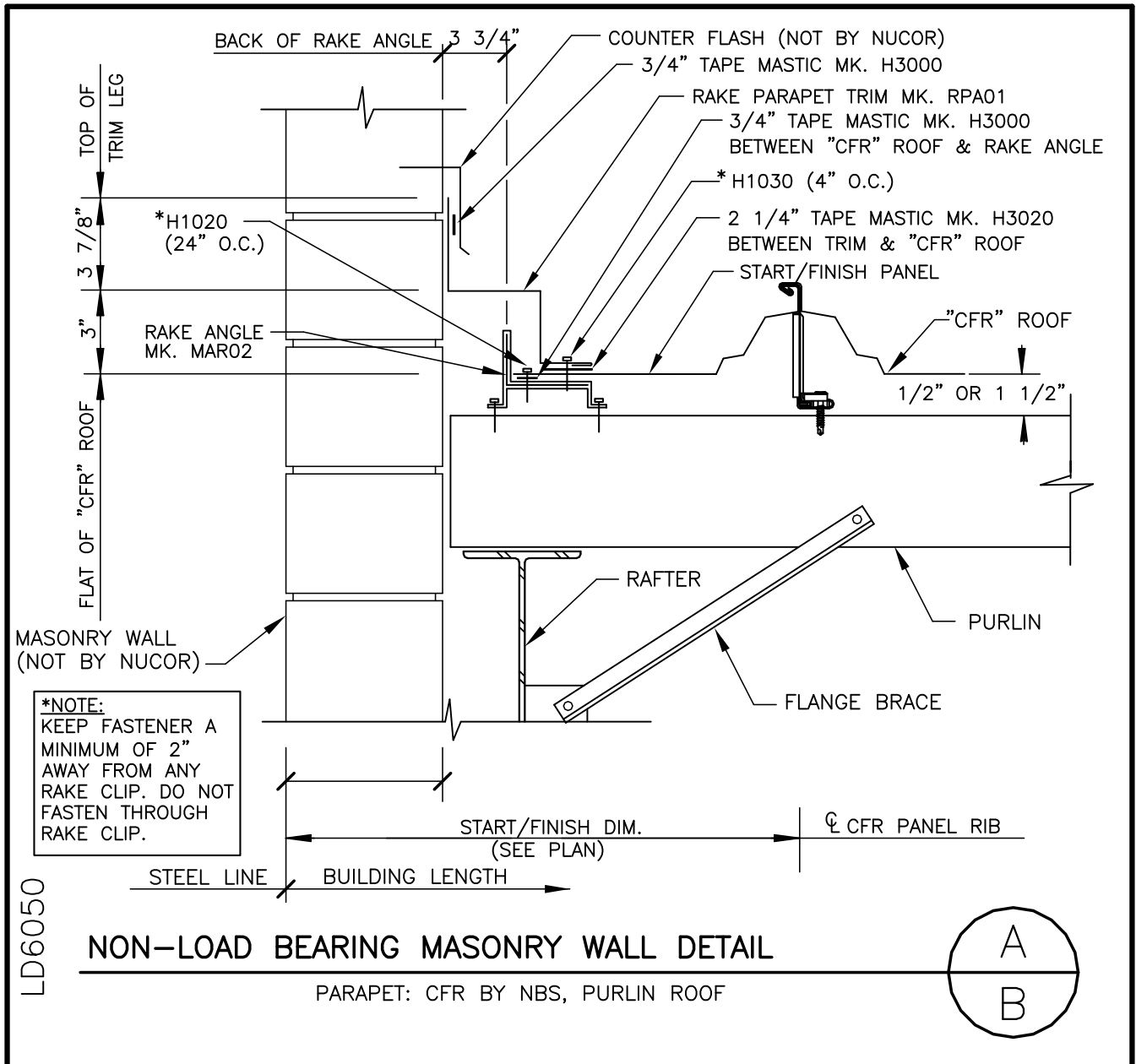


LAST REVISION
 DATE: 08/24/09
 BY: DLC CHK: AES

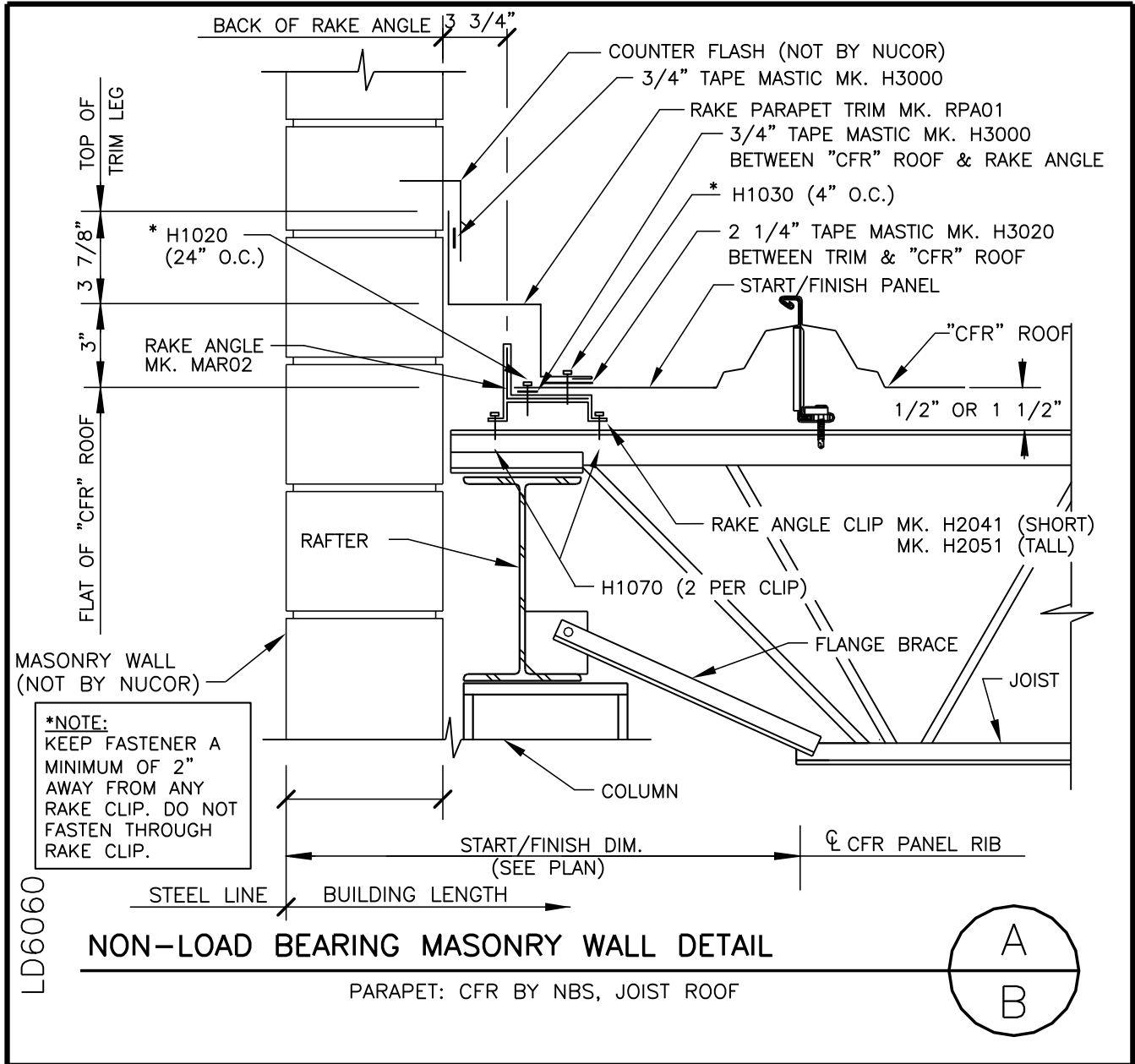
DETAIL NAME IF APPLICABLE
LD1040PE.DWG

4.10.24

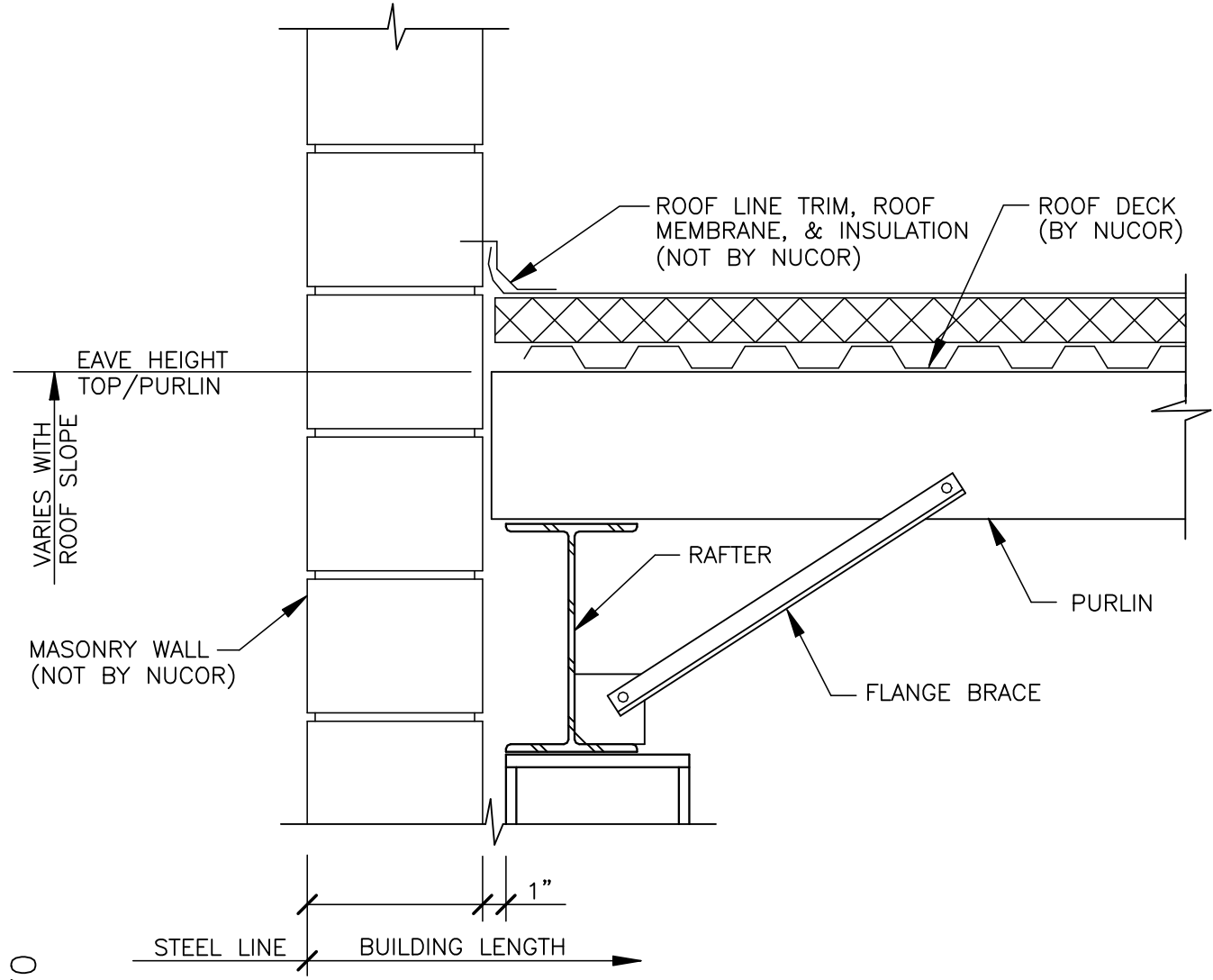
LD6050 – PARAPET, PURLIN BLDG., CFR BY NBS



LD6060 – PARAPET, JOIST BLDG., CFR BY NBS



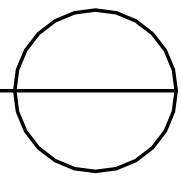
LD1070 – PARAPET, PURLIN BLDG., ROOF NOT BY NBS



LD1070

NON-LOAD BEARING MASONRY WALL DETAIL

PARAPET: ROOF NOT BY NBS, PURLIN ROOF

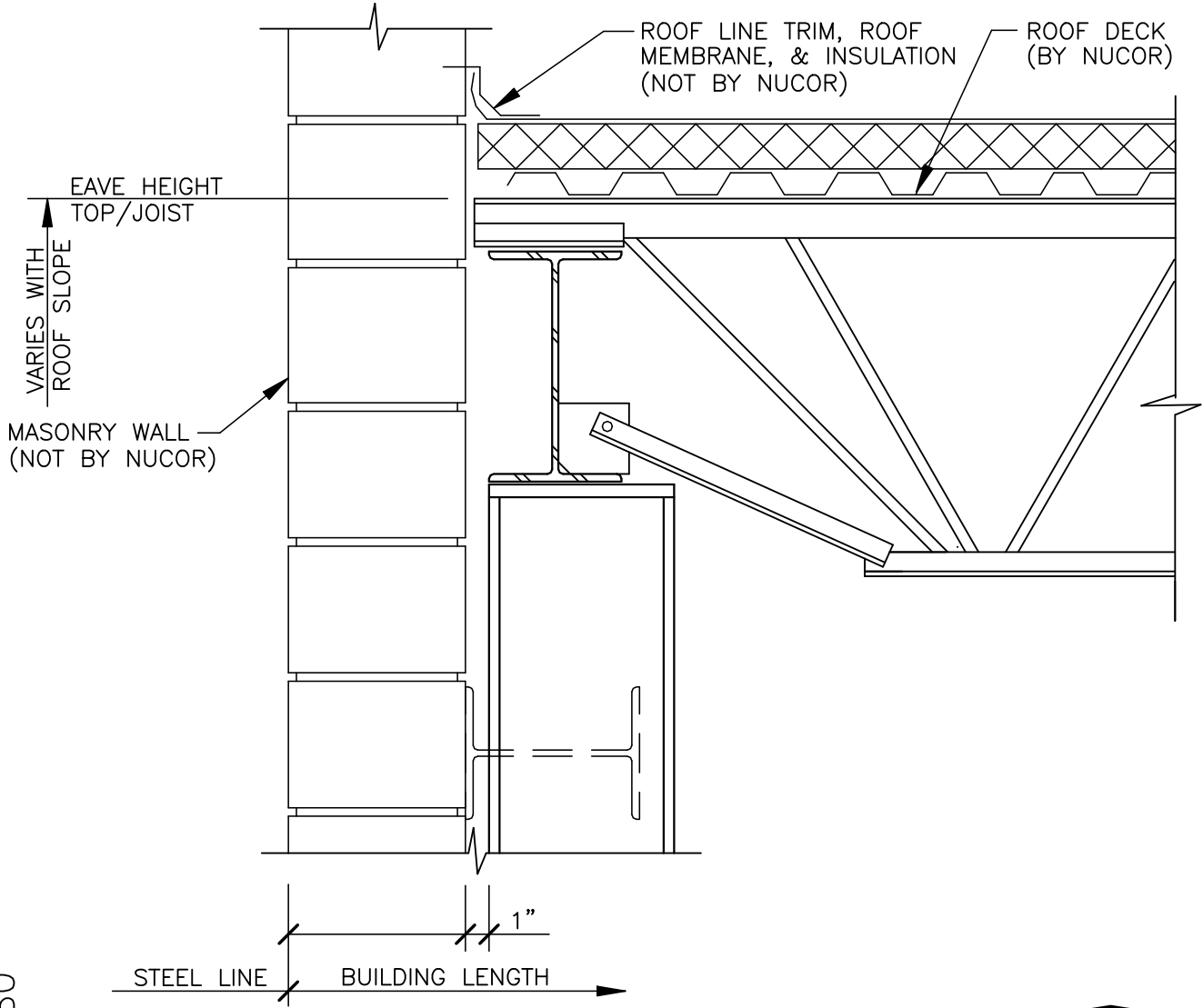




PRODUCT AND ENGINEERING MANUAL

4.10 NON-LOAD BEARING MASONRY WALL

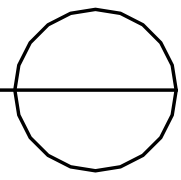
LD1080 – PARAPET, JOIST BLDG., ROOF NOT BY NBS



LD1080

NON-LOAD BEARING MASONRY WALL DETAIL

PARAPET: ROOF NOT BY NBS, JOIST ROOF



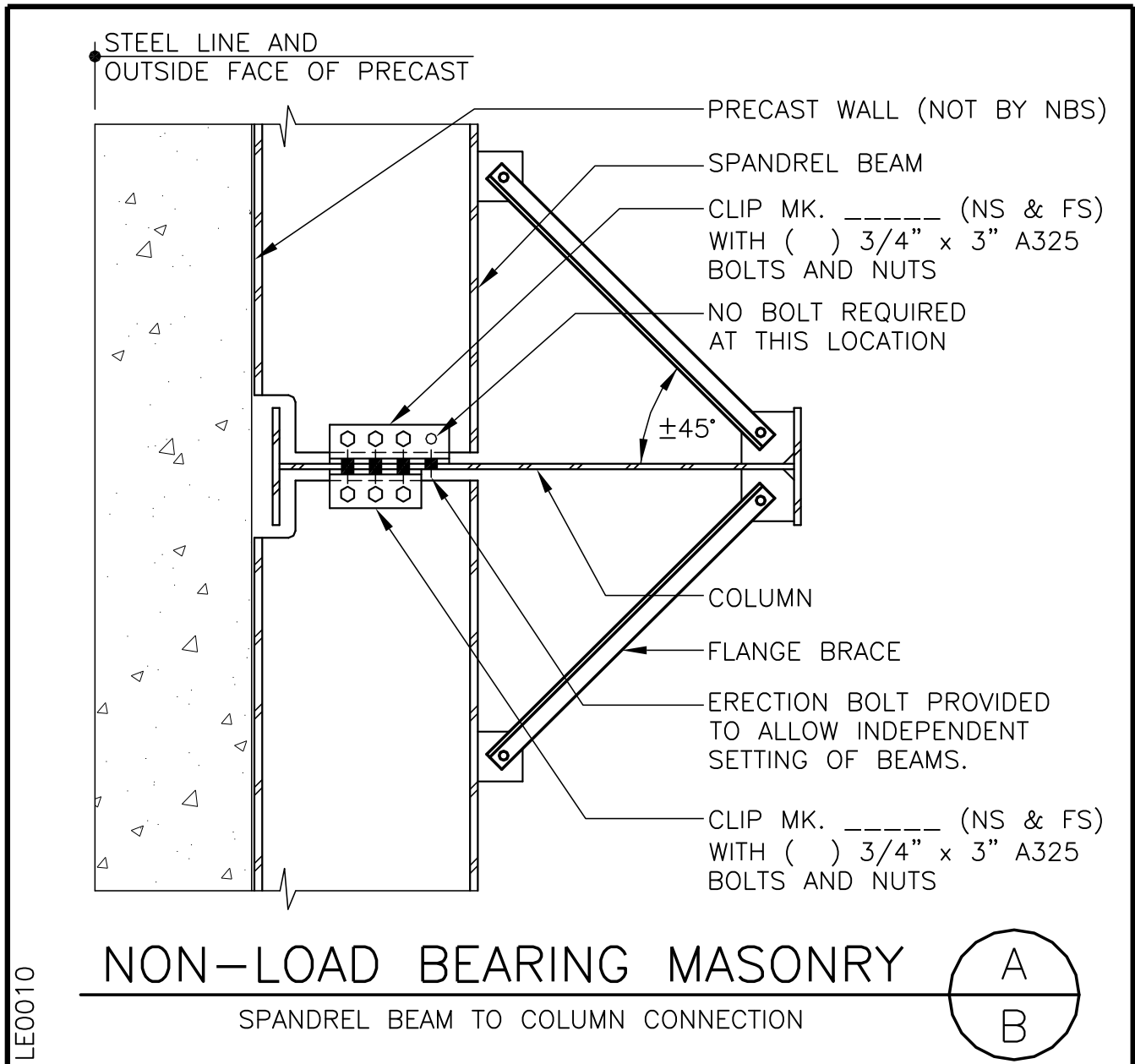
LAST REVISION
DATE: 02/09/01
BY: CDM CHK: RJF

DETAIL NAME IF APPLICABLE
LD1080.DWG

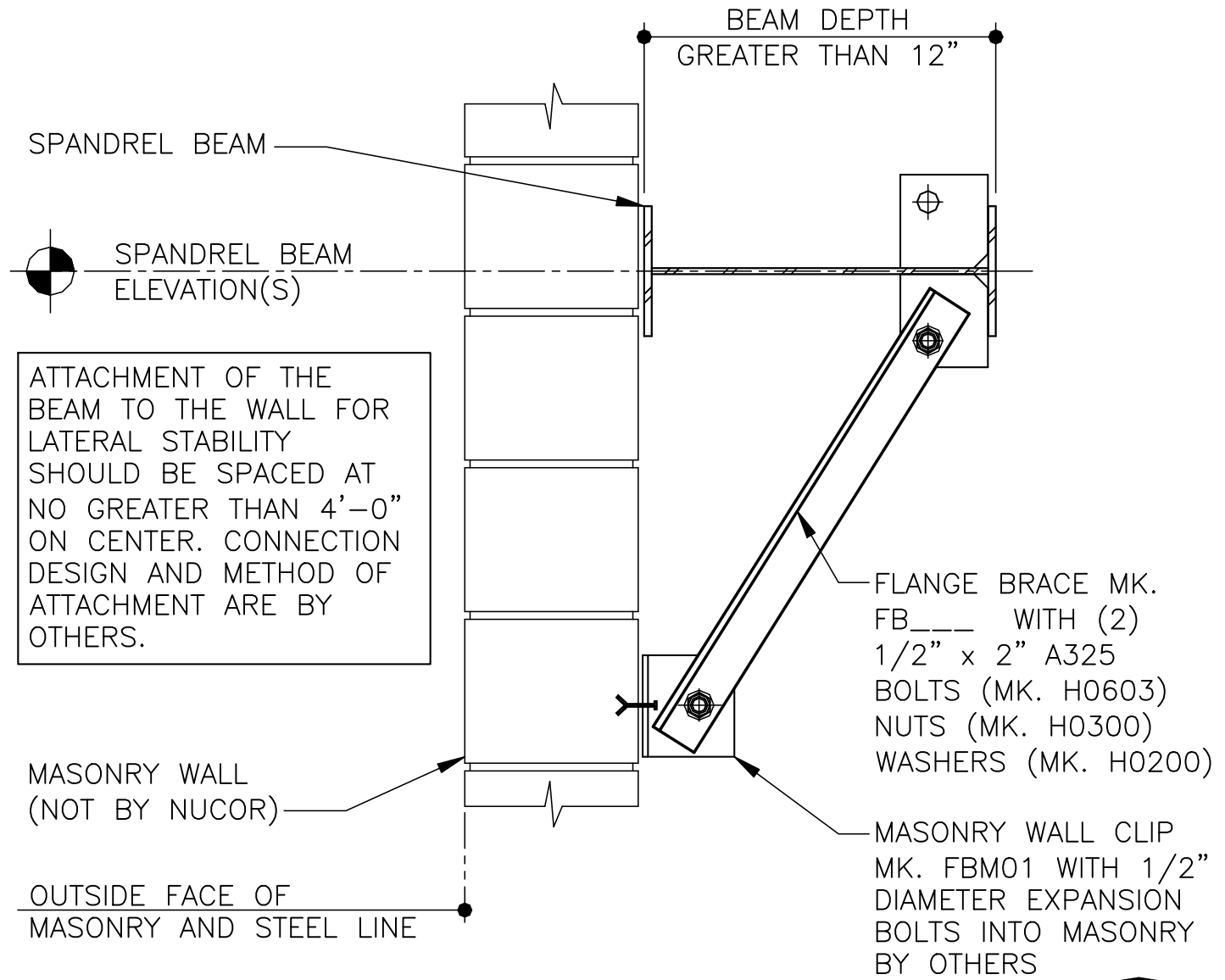
4.10.28

E. SPANDREL BEAM CONNECTION DETAILS

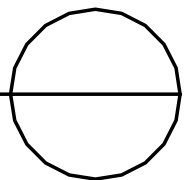
LE0010 – SPANDREL BEAM TO COLUMN CONNECTION



LE0020 – SPANDREL BEAM TO WALL CONNECTION (WITH EXPANSION ANCHORS)



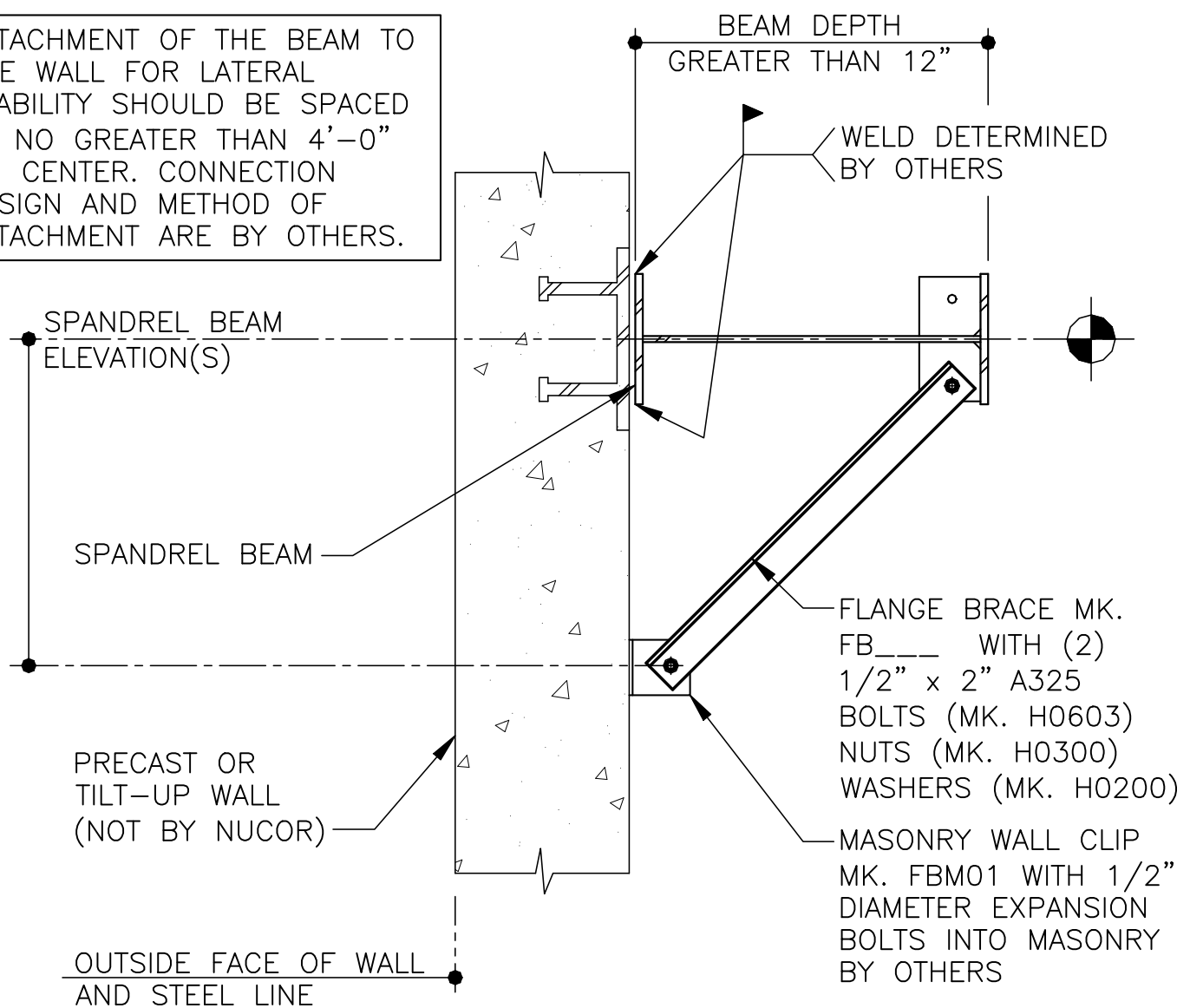
**SPADREL BEAM TO NON-LOAD
 BEARING MASONRY WALL DETAIL**
 SPANDREL BEAM DEPTH GREATER THAN 12"



LE0020

LE0030 – SPANDREL BEAM TO WALL CONNECTION (WELDED TO EMBEDDED PLATE)

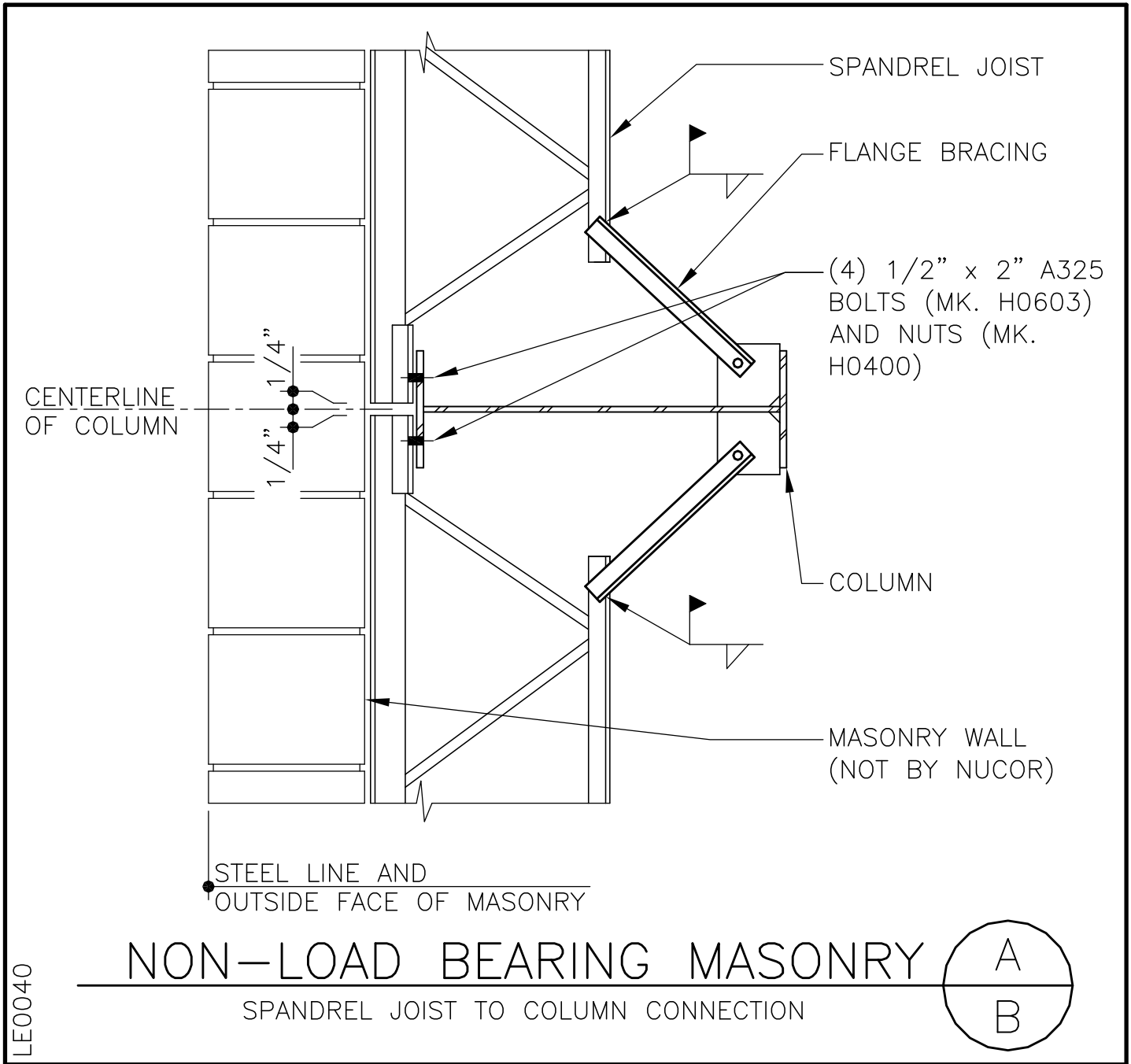
ATTACHMENT OF THE BEAM TO THE WALL FOR LATERAL STABILITY SHOULD BE SPACED AT NO GREATER THAN 4'-0" ON CENTER. CONNECTION DESIGN AND METHOD OF ATTACHMENT ARE BY OTHERS.



SPADREL BEAM TO PRECAST OR TILT-UP WALL DETAIL
 SPANDREL BEAM DEPTH GREATER THAN 12"

LE0030

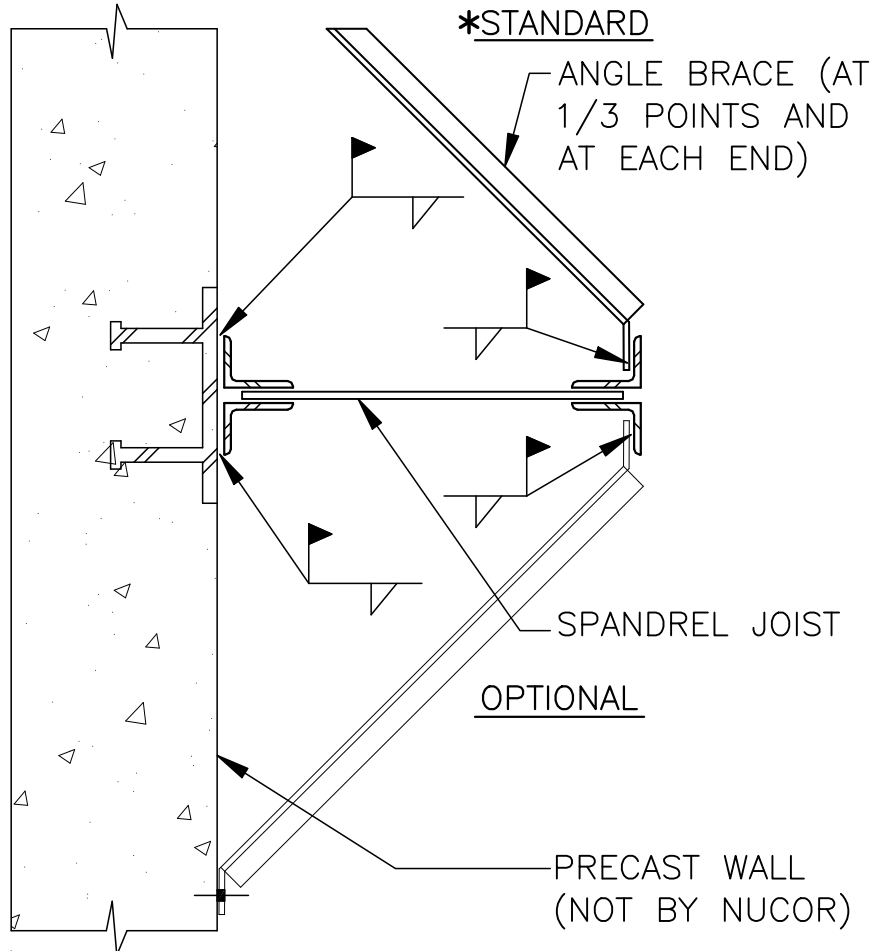
LE0040 – SPANDREL JOIST TO COLUMN CONNECTION



LE0050 – SPANDREL JOIST TO WALL CONNECTION (WELDED TO EMBEDDED PLATE)

*STANDARD ANGLE ATTACHMENT IS ABOVE THE SPANDREL JOIST. ALTERNATE DETAIL IS TO PLACE THE ANGLE BELOW THE JOIST

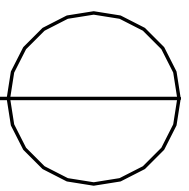
SPANDREL JOIST ELEVATION(S)



STEEL LINE AND OUTSIDE FACE OF PRECAST

NON-LOAD BEARING MASONRY

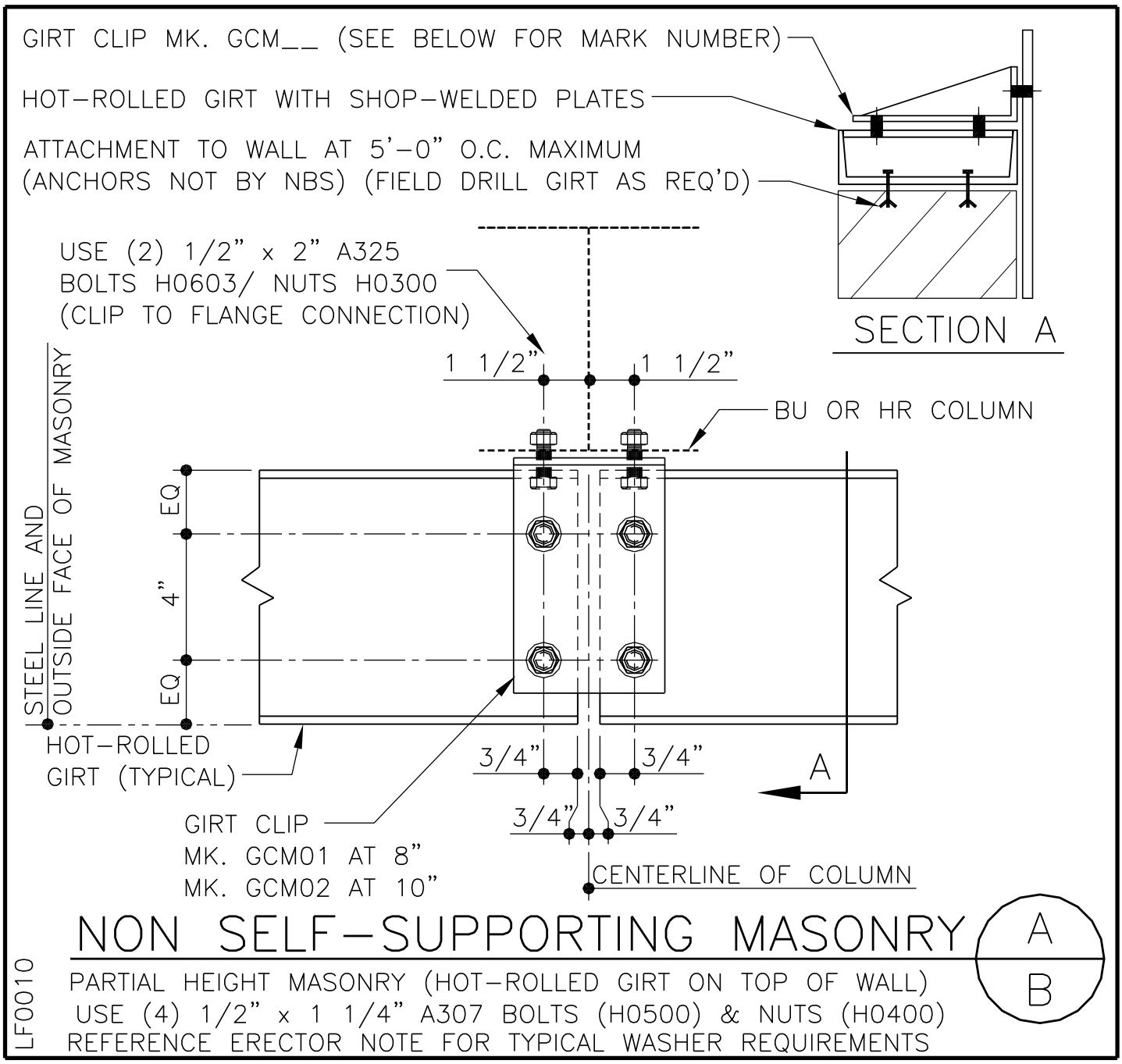
SPANDREL JOIST TO WALL (WELDED TO EMBEDDED PLATE)



LE0050

F: SPANDREL GIRT ATTACHMENT DETAILS

LF0010 – PARTIAL HEIGHT MASONRY (HOT-ROLLED CEE GIRT ON TOP OF WALL)



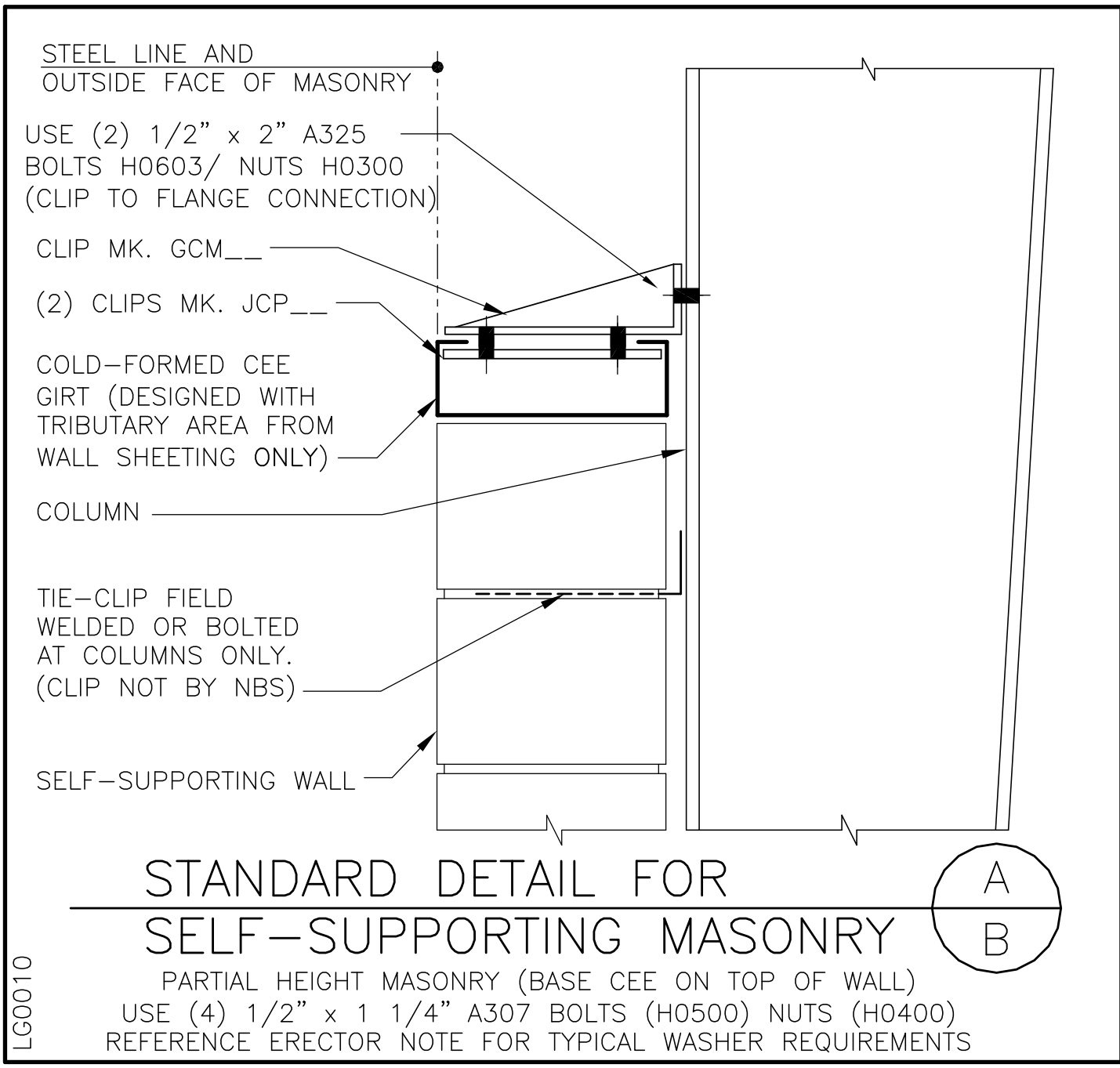


PRODUCT AND ENGINEERING MANUAL

4.10 NON-LOAD BEARING MASONRY WALL

G: SHEAR WALL DETAILS

LG0010 – PARTIAL HEIGHT MASONRY (COLD-FORMED CEE GIRT ON TOP OF WALL)



LAST REVISION
DATE: 02/23/10
BY: DLC CHK: AES

DETAIL NAME IF APPLICABLE
LG0010.DWG

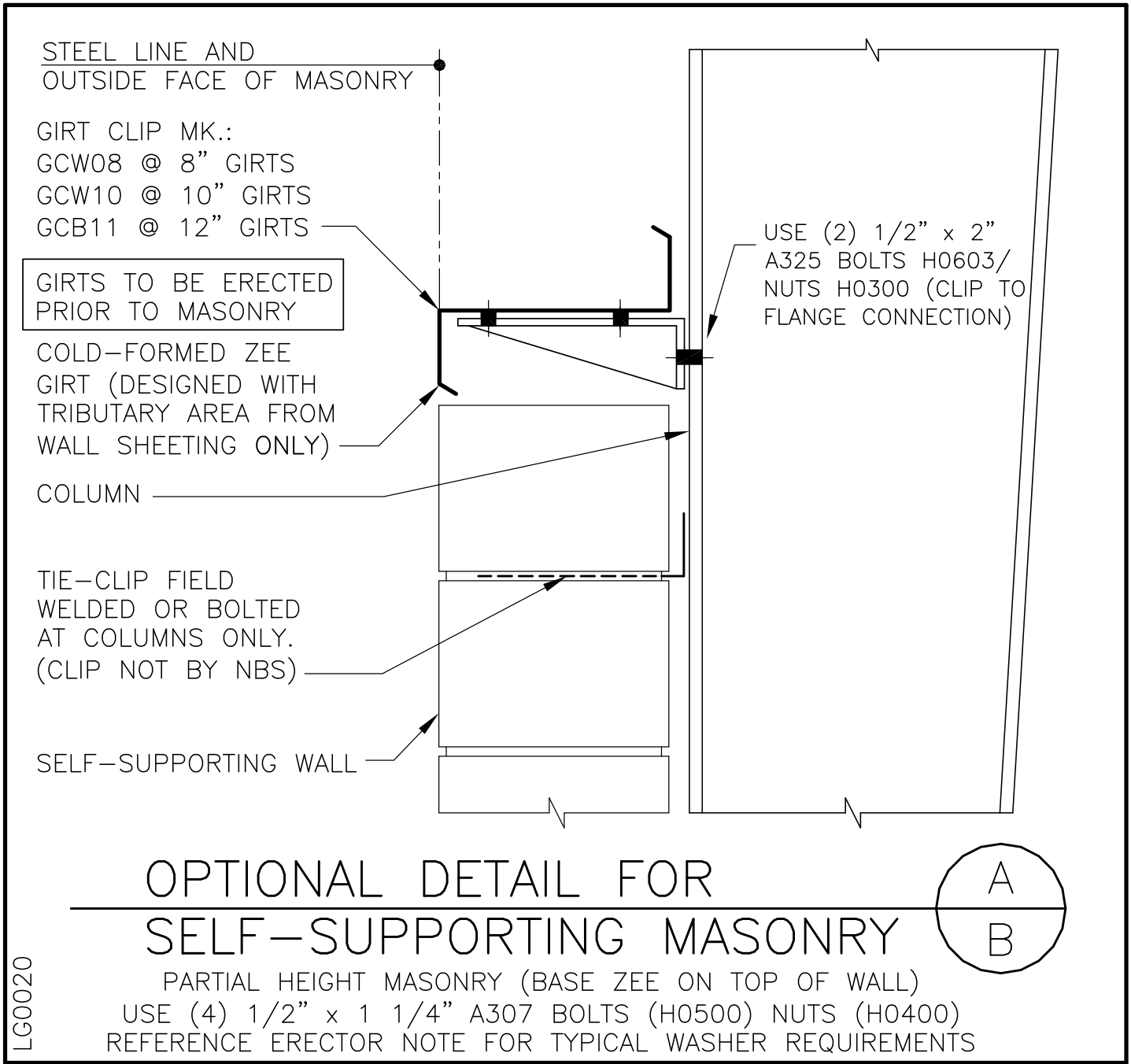
4.10.35



PRODUCT AND ENGINEERING MANUAL

4.10 NON-LOAD BEARING MASONRY WALL

LG0020 – PARTIAL HEIGHT MASONRY (COLD-FORMED ZEE GIRT ON TOP OF WALL)



LAST REVISION
DATE: 02/23/10
BY: DLC CHK: AES

DETAIL NAME IF APPLICABLE
LG0020.DWG

4.10.36