



PRODUCT & ENGINEERING MANUAL

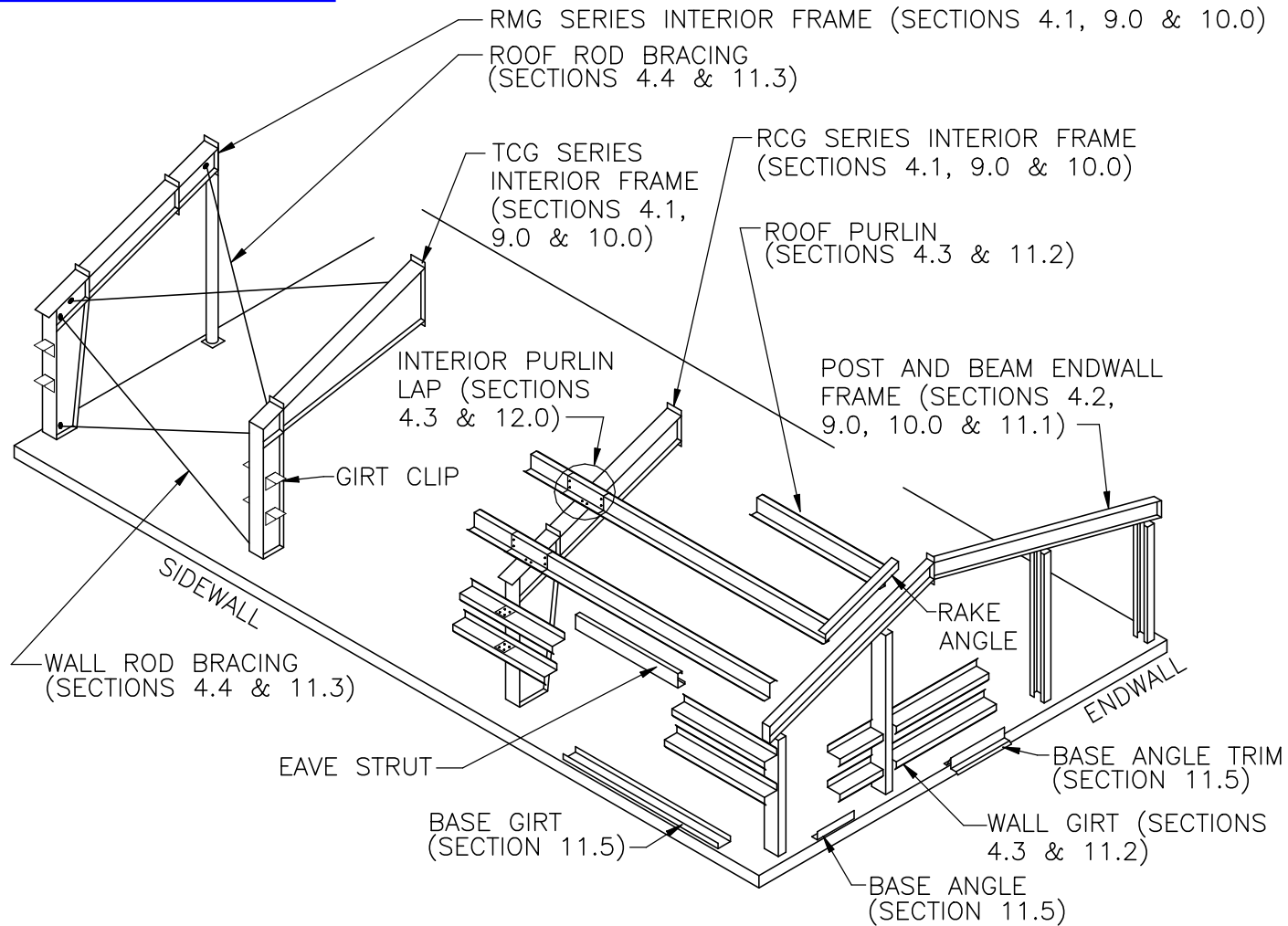
The Framing Systems section is made up of the following sub-sections. Please click the appropriate sub-section to view the contents. Refer to the "[Framing Perspective](#)" for additional information.

- 4.1 [Primary Framing](#)
- 4.2 [Endwall Framing](#)
- 4.3 [Secondary Framing](#)
- 4.4 [Bracing](#)
- 4.5 [Standard Mezzanine](#)
- 4.6 [Standard Crane Systems](#)
- 4.7 [Building Tie-In Details](#)
- 4.8 [Future Expansion Details](#)
- 4.9 [Tilt-Up / Pre-Cast Wall](#)
- 4.10 [Non-Load Bearing Masonry Wall](#)
- 4.11 [Structural Parapet Details](#)
- 4.12 [Auxiliary Rafter Details](#)
- 4.13 [Lean-To Rafter Details](#)
- 4.14 [Spandrel Beam Details](#)



PRODUCT & ENGINEERING MANUAL

FS0005PE – FRAMING PERSPECTIVE



LAST REVISION
DATE: 04/28/03
BY: CDM CHK: RJF

DETAIL NAME IF APPLICABLE

FS0005PE.DWG

4.0.2