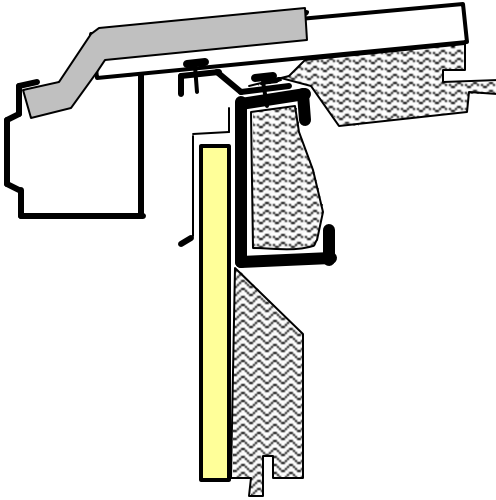


Nucor Features & Benefits



A Little Known Fact

The Nucor CFR™, when used with the standard tall or short eave plate, is one of the only panels on the market that may be installed *before* the metal wall panels.

This is just one additional way that Nucor gives flexibility to the erector and the project schedule.

A Look at a Nucor CFR™ Eave

1. The Eave Plate makes it possible for the roof to be connected outside the building envelope. Holes for the Eave Plate to eave strut are pre-punched. No guesswork with this connection.
2. The Eave Plate also holds the panel off of the purlin and eave strut. This prevents the insulation from being compressed thereby yielding better insulation results and less chance of condensation. This means better energy costs and fewer complaints from the owner.
3. The panel void closer is die formed hard plastic with UV inhibitors. There is an offset hole that is used to connect it to the eave plate. This means it cannot wiggle out or twist from position.
4. The mastic over the void closer is precut. Precutting mastics makes the erector's job much easier. It also makes a quality detail.
5. There is a cinch strap on the top that compresses the mastic and allows it to work as a gasket. This combination allows only four screws to make the connection. Fewer screws mean fewer chances for the erector to get it wrong.
6. See the "Features and Benefits" paper for gutter.
7. Insulation is connected under the panel to the eave plate. This eliminates the insulation gaps seen on many systems. The elimination of gaps helps prevent condensation from occurring.
8. The Eave Flashing cups under the roof screw. Should that screw ever leak or the erector make a mistake, the water drips harmlessly to the outside of the building proper. This means fewer callbacks for the erector and fewer complaints from the owner.

What You Should Know

1. Many erectors do not put in the sealant over the void closer used to seal the panels. This allows blowing rains to enter. These "Discrete Sealants" look innocent, but are very important.
2. Void closers must be put in as the roof is installed. The clamping screw must be installed from above.
3. Always look to see that the proper number of downspouts is installed and that the hole is the correct size. Moving water off the roof quickly goes without saying.
4. Nucor supplies tape sealant between the gutter and the panel. While this may see a waste of material, it is most effective in keeping water from wicking on the underside of the panel.